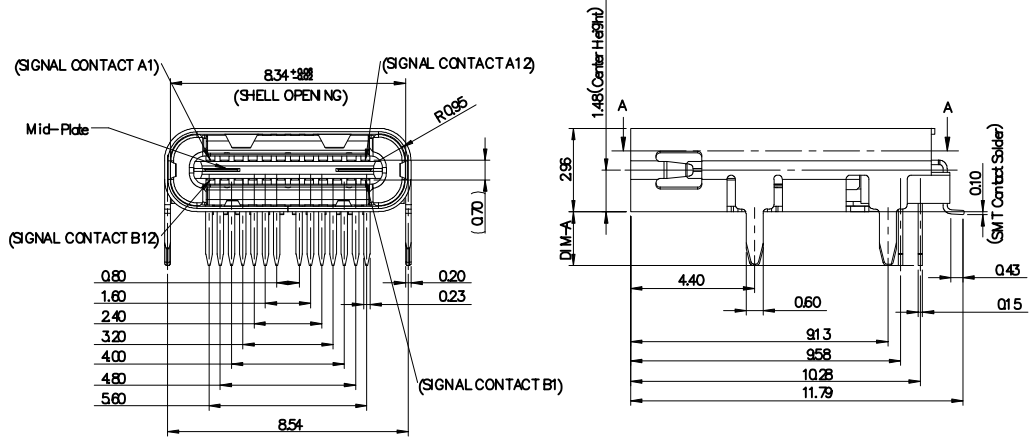


**Notes:**

**SPECIFICATION**  
**MATERIAL**  
 Insulator: Thermoplastic, Black  
 Contacts: BRASS  
 Shell: Stainless Steel  
**CONTACT PLATING**  
 Underplate: 80u"~160u" Nickel  
 Contact area: 30u" Pd-Ni+2u" Selective gold,  
 Solder tails area: 100u"~200u" Tin (Lead Free)  
**ELECTRICAL**  
 Operation voltage: 20 V  
 Current rating: 5 Amps max.  
 Insulation resistance: 100 Mohms min @ 100 VDC  
 Dielectric withstanding voltage: 100 VAC / minute  
 Temperature range: -40°C TO +105°C  
 Mating cycles: 10,000 insertions  
 AUSB1-DFN-PTP3:Tray  
 AUSB1-DFN-PTR3:Tape&Reel



**RoHS compliant**  
 Unit: mm

Scale	Free						Date	Name	Customer-No.
TOLERANCE						Drawn	30.10.2014	Winnie	
X.	±0.50					Approved	30.10.2015	Winnie	ASSMANN WSW-No.
X.X	±0.30								<b>AUSB1-DFN-PTx3</b>
X.XX	±0.20								Drawing-No.
DIM	TOL								<b>ASS 7048 CO</b>
X.°	±2°								rev00
		©	Drawn	30.10.2015	Winnie	<b>ASSMANN</b> WSW components		Replace	Sheet 1/3
Angle	TOL	Id.	Modification	Date	Name				

1

2

3

4

5

6

7

A

A

B

B

C

C

D

D

E

E

F

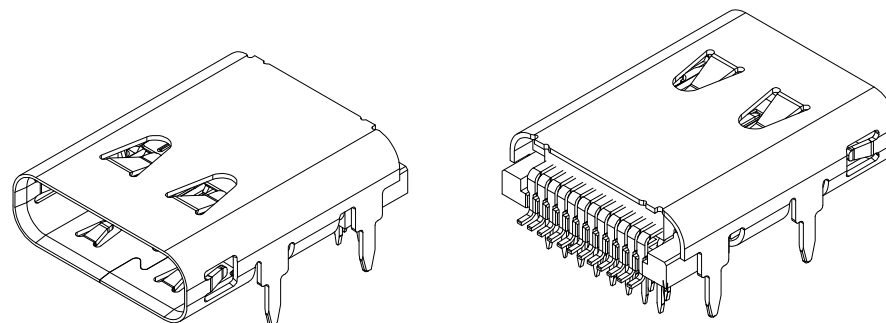
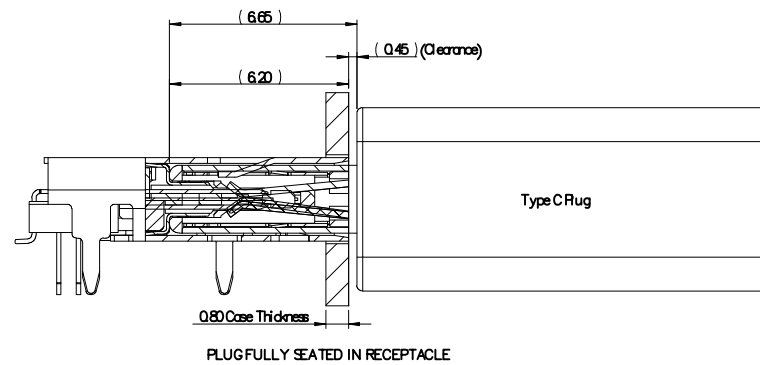
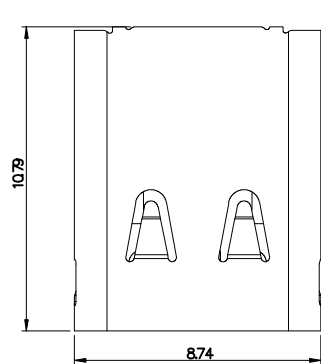
F

G

G

H

H



**RoHS compliant**  
Unit: mm

Scale	Free					Date	Name	Customer-No.
TOLERANCE					Drawn	30.10.2014	Winnie	
X.	±0.50				Approved	30.10.2015	Winnie	ASSMANN WSW-No. <b>AUSB1-DFN-PTx3</b>
X.X	±0.30							Drawing-No.
X.XX	±0.20							<b>ASS 7048 CO</b>
DIM	TOL							rev00
X.°	±2°							
		©	Drawn	30.10.2015	Winnie	<b>ASSMANN</b> WSW components		Replace
Angle	TOL	Id.	Modification	Date	Name			Sheet 2/3

1

2

3

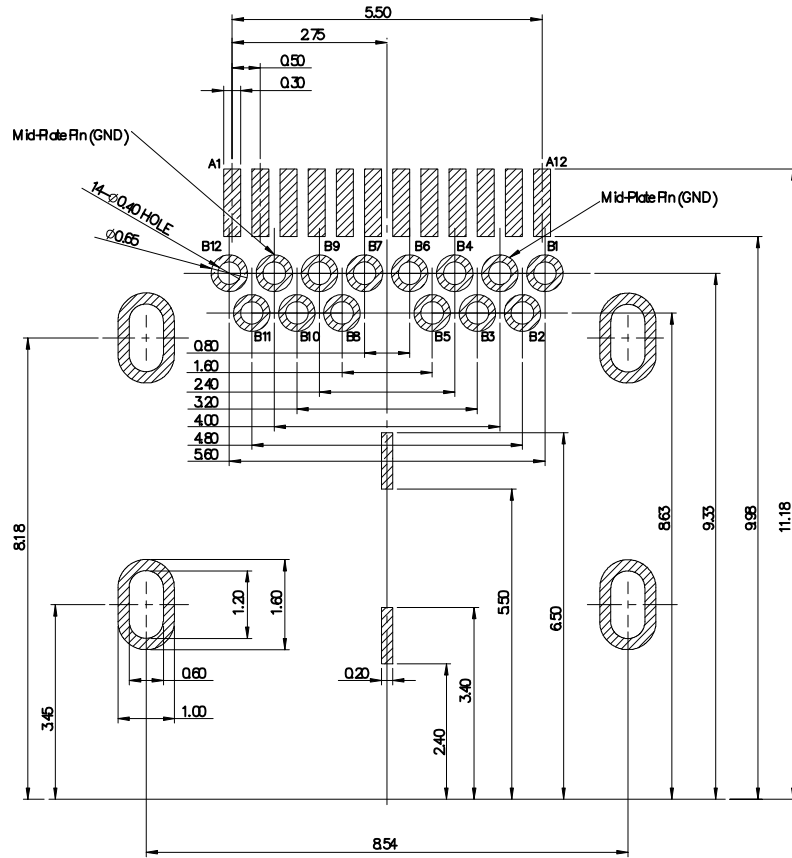
4

5

6

7

SV3725  
CON0735



**USB TYPE -C Pin Assignments**

FnNumber	Signal Name	Pin Number	Signal Name
A1	GND	B1 2	GND
A2	SSTXp1	B1 1	SSRXp1
A3	SSTXn1	B1 0	SSRXn1
A4	VBUS	B9	VBUS
A5	CC1	B8	SBU2
A6	Dp1	B7	Dn2
A7	Dn1	B6	Dp2
A8	SBU1	B5	CC2
A9	VBUS	B4	VBUS
A1 0	SSRXn2	B3	SSTXn2
A1 1	SSRXp2	B2	SSTXp2
A1 2	GND	B1	GND

Recommended PCB Layout  
 Tolerance  $\pm 0.05$   
 PCB Thickness=1.00 For Dim-A 1.50 solder Tail

**RoHS compliant**  
 Unit: mm

Scale	Free			Date	Name	Customer-No.
TOLERANCE				Drawn	30.10.2014	Winnie
X.	$\pm 0.50$			Approved	30.10.2015	Winnie
X.X	$\pm 0.30$					
X.XX	$\pm 0.20$					
DIM	TOL					Drawing-No.
X.°	$\pm 2^\circ$					<b>ASS 7048 CO</b>
		© Drawn	30.10.2015	Winnie	<b>rev00</b>	
Angle	TOL	Id.	Modification	Date	Name	Sheet 3/3

