

HONEYWELL

See full Datasheet below...

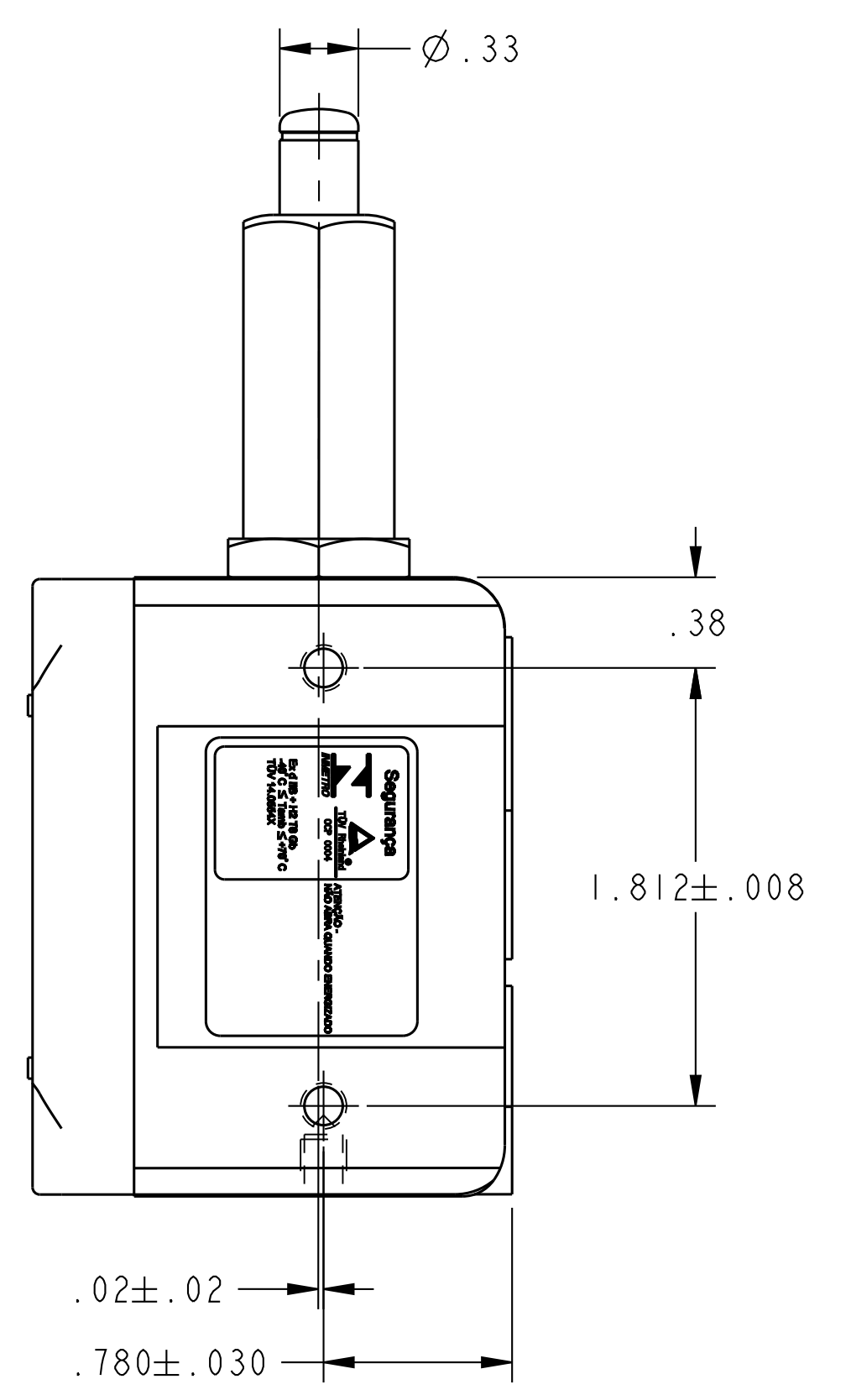
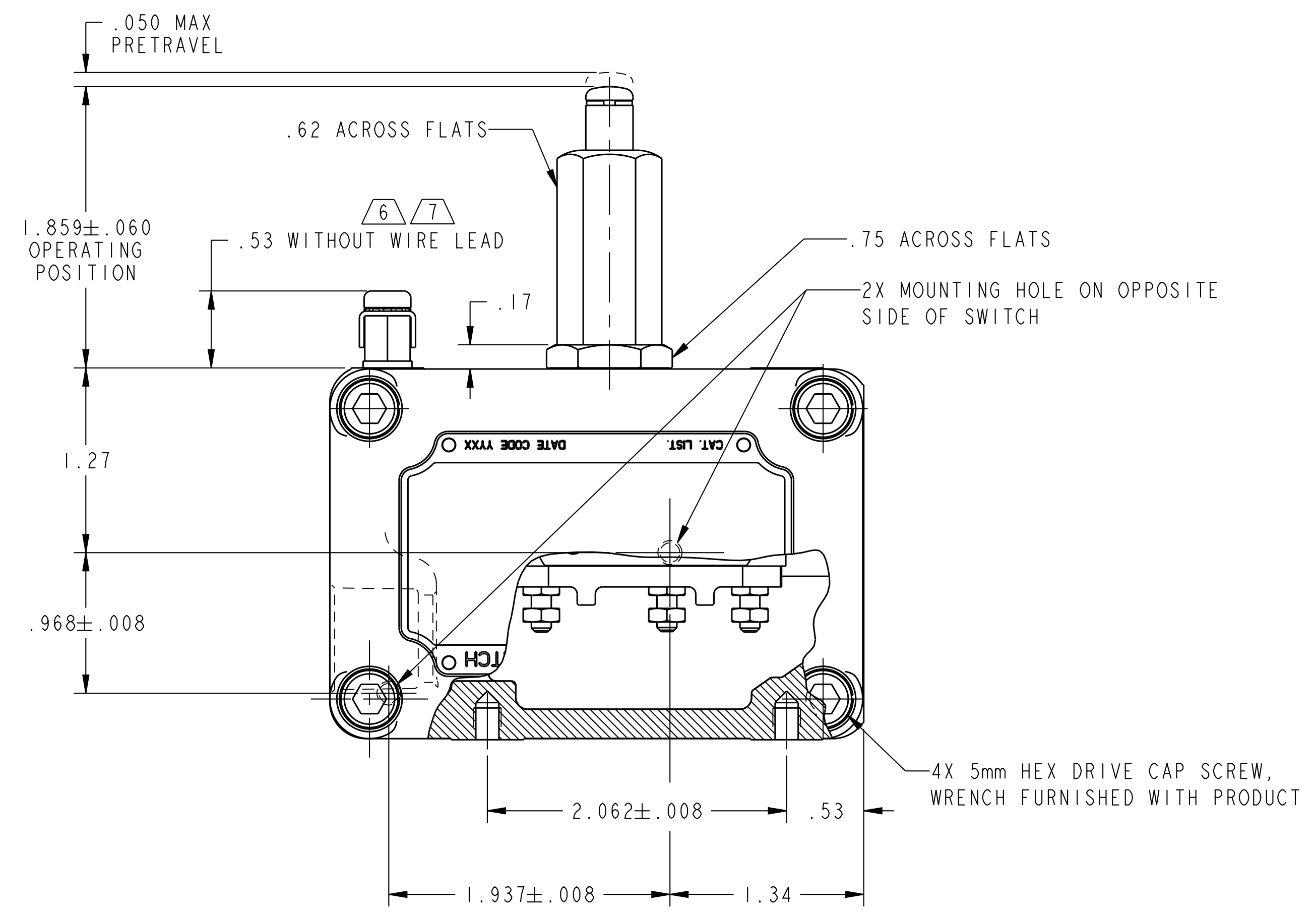
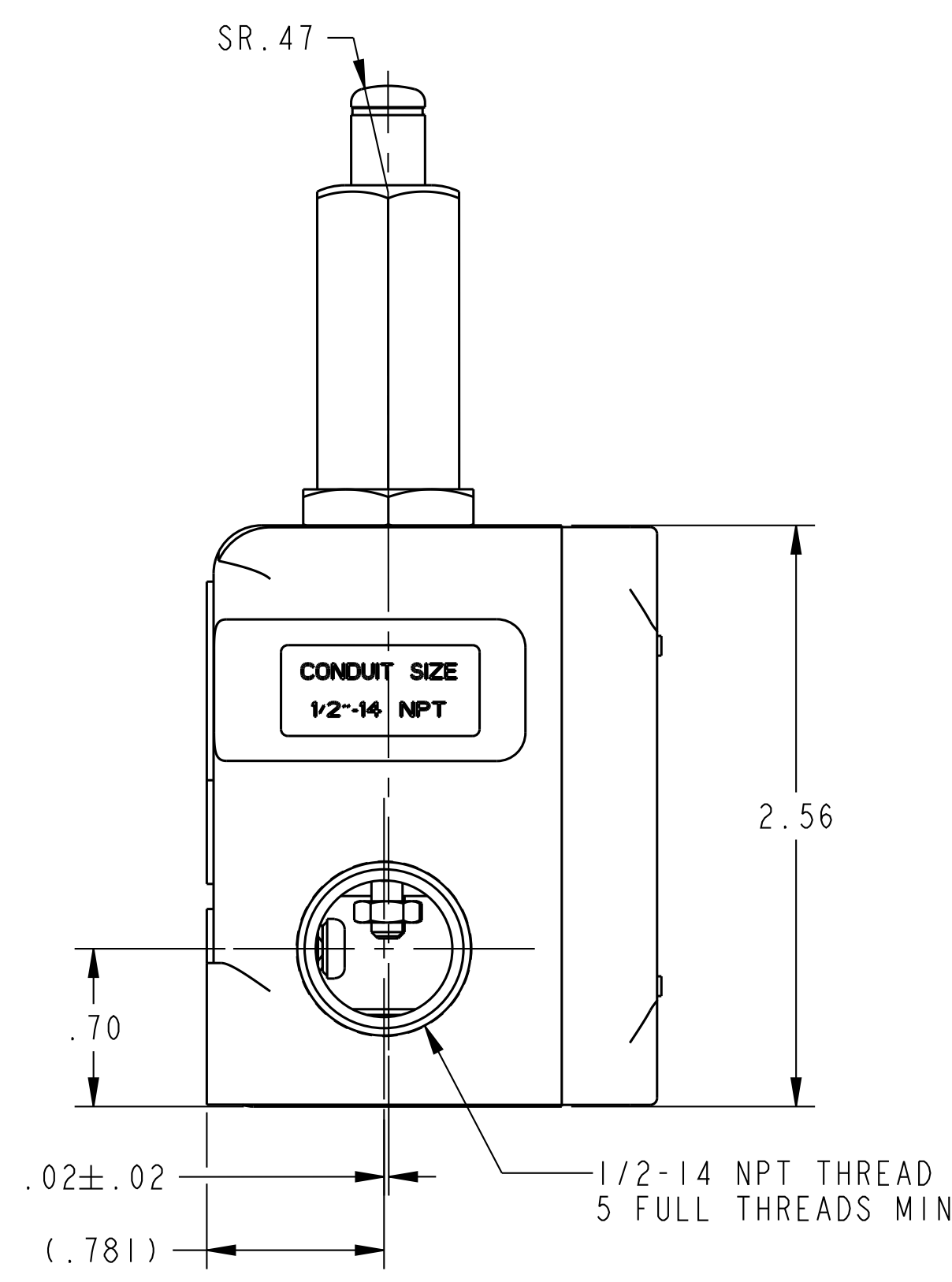
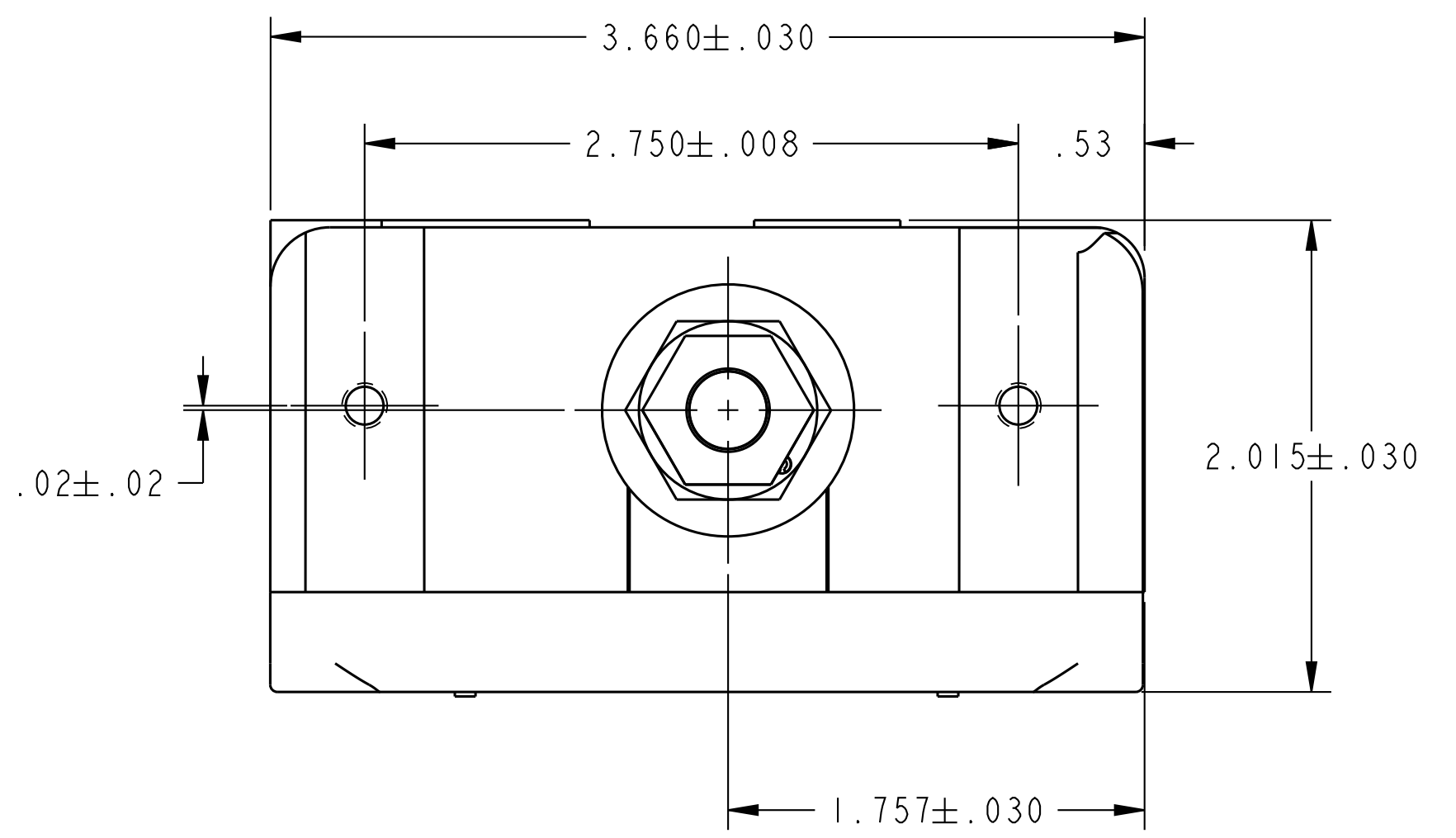
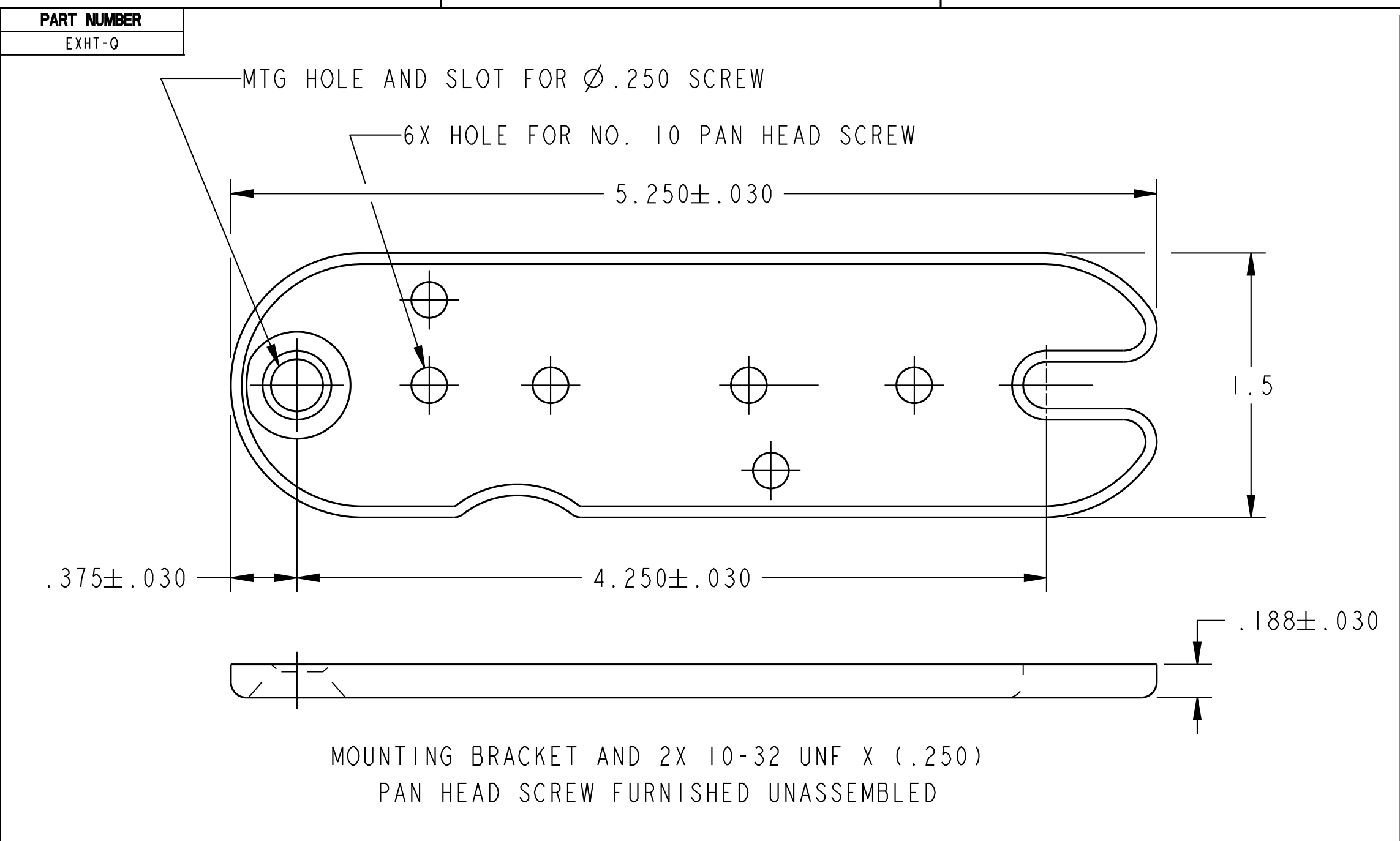
onlinecomponents.com
THE ONLINE DISTRIBUTOR OF ELECTRONIC COMPONENTS

BUY NOW

 **MASTER**TM
ELECTRONICS

BUY NOW

masterelectronics.com & onlinecomponents.com
are **authorized** e-commerce distributors
of electronic components.



REVISION HISTORY					
REV	DOCUMENT	DESCRIPTION	CHGD BY	DATE	APPROVED
12	0129443	REDRAWN WITH CHANGE	RGA	2016-05-02	M. MANTUA

- NOTES:
- 8X MOUNTING SCREW HOLE 10-32 UNF-2B THREAD X (.219) DEEP
 - 8-32 UNC X (.219) TERMINAL SCREWS AND CUPWASHERS.
 - EXPLOSION PROOF - UNDERWRITER'S LAB INC. LISTED FOR HAZARDOUS LOCATIONS NEMA 7, CLASS I, GROUPS C AND D, NEMA 9, CLASS II, GROUPS E, F AND G
 - SEAL RATING: NEMA I
 - EUROPEAN HAZARDOUS LOCATIONS DESIGNATION: Ex d IIB +H2 T2 CATAGORY II 2 G
 - EXTERNAL GROUND SCREW MAY BE ASSEMBLED TO ANY UNUSED MOUNTING SCREW HOLE
 - ASSEMBLE PROVIDED SPLIT LOCKWASHER BETWEEN GROUND LUG AND HOUSING
 - SWITCH WILL WITHSTAND TEMPERATURE OF 400°F
 - BRAZILIAN HAZARDOUS LOCATION DESIGNATION: Ex d IIB+H2 T6 Gb -40°C ≤ Tamb ≤ +204°C

CHARACTERISTICS	ELECTRICAL DATA
OPERATING FORCE----- 2 LB MAX	CONTACT ARRANGEMENT S P D T
RELEASE FORCE----- 1/2 LB MIN	-L110- 3 A-125 OR 250 VAC 1/10 HP-125 VAC; 1/6 HP-250 VAC
DIFFERENTIAL TRAVEL----- .009 MAX	
OVERTRAVEL----- .125 MIN	
SWITCH-BASIC REPLACEMENT-- 2HT1	

UNLESS OTHERWISE SPECIFIED DIMENSIONS ARE IN INCHES		THIRD ANGLE PROJECTION				Honeywell SWITCH - ENCLOSED					
DECIMAL TOL	NO PLACE ---	1 PLACE --- ±.030	2 PLACE --- ±.015					3 PLACE --- ±.005	CHAMFER -	SIZE D	CAGE CODE 91929
MATERIAL	SCALE 3:2		REF. WT.	SHEET 1 of 1		HONEYWELL CONFIDENTIAL THIS DOCUMENT CONTAINS PROPRIETARY INFORMATION AND SUCH INFORMATION MAY NOT BE DISCLOSED TO OTHERS FOR ANY PURPOSES WITHOUT WRITTEN PERMISSION FROM HONEYWELL					
FINISH	APPLICABLE DOCUMENTS: ASME Y14.100-2013 ASME Y14.5-2009		RELEASE DATE	1982-06-25	1982-06-18	COMPUTER GENERATED DRAWING: PRO/ENGINEER					
CHK: DJW	1982-06-25										