

HONEYWELL

See full Datasheet below...

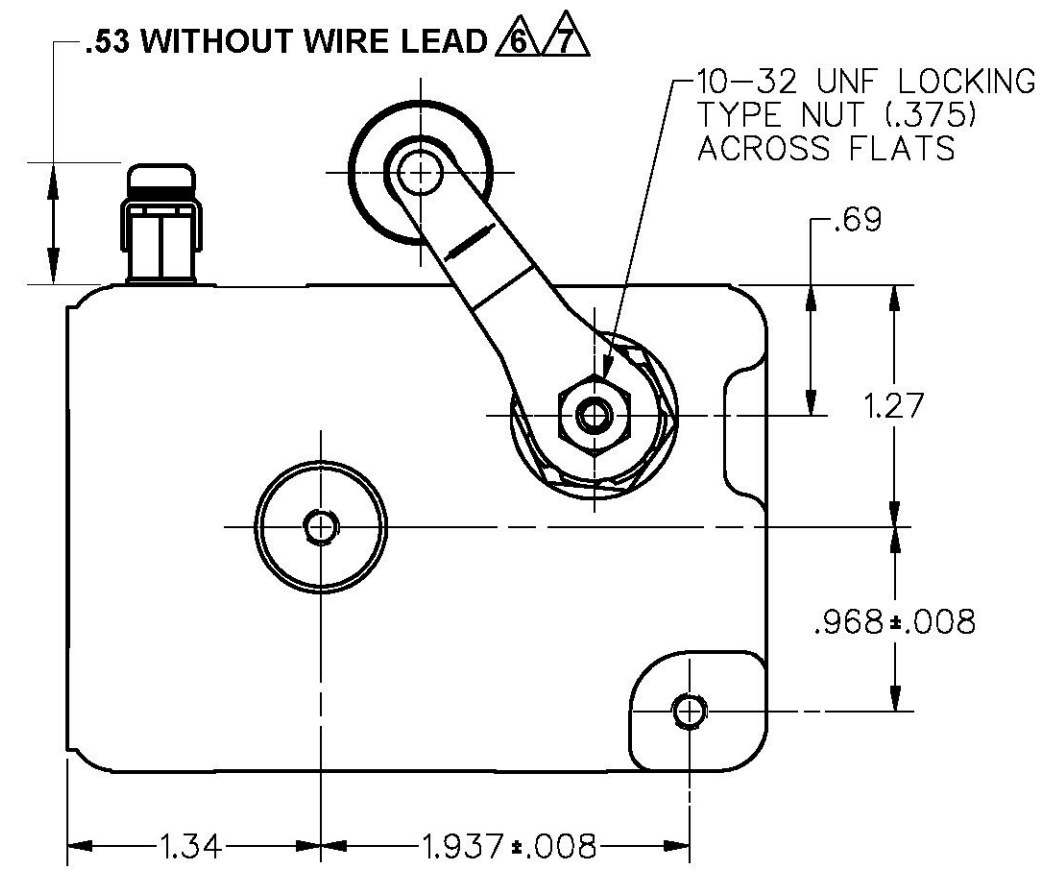
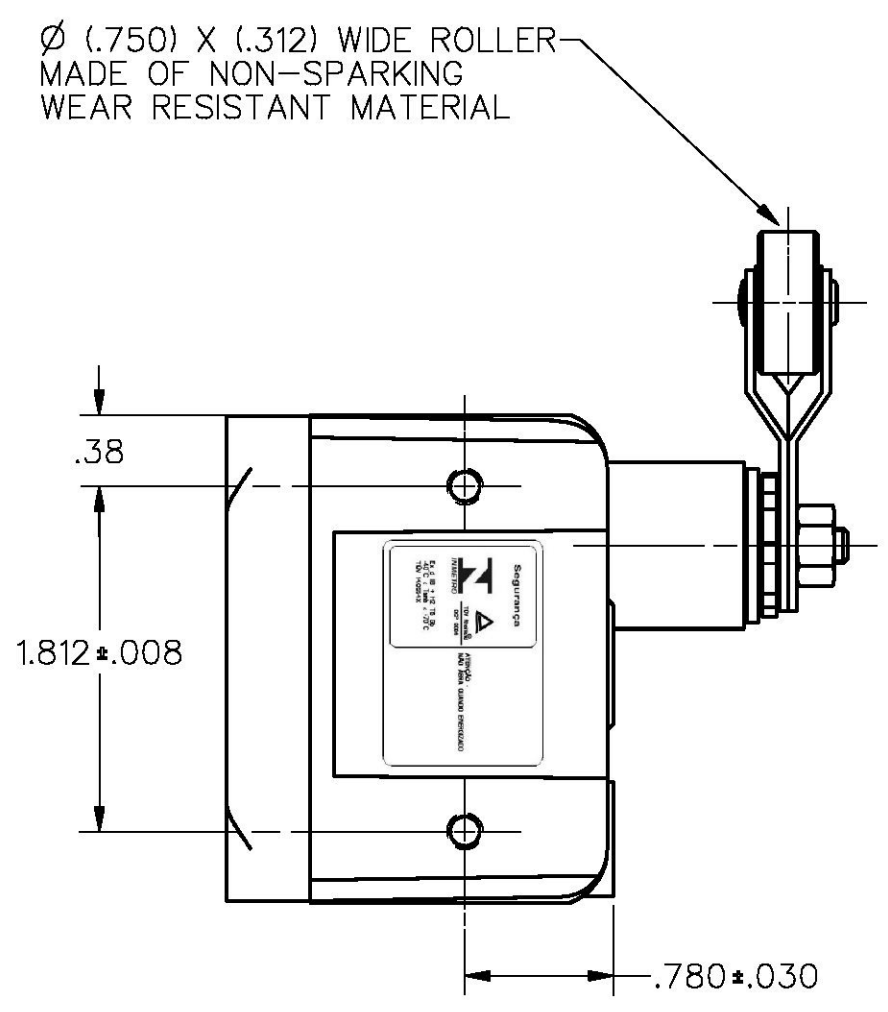
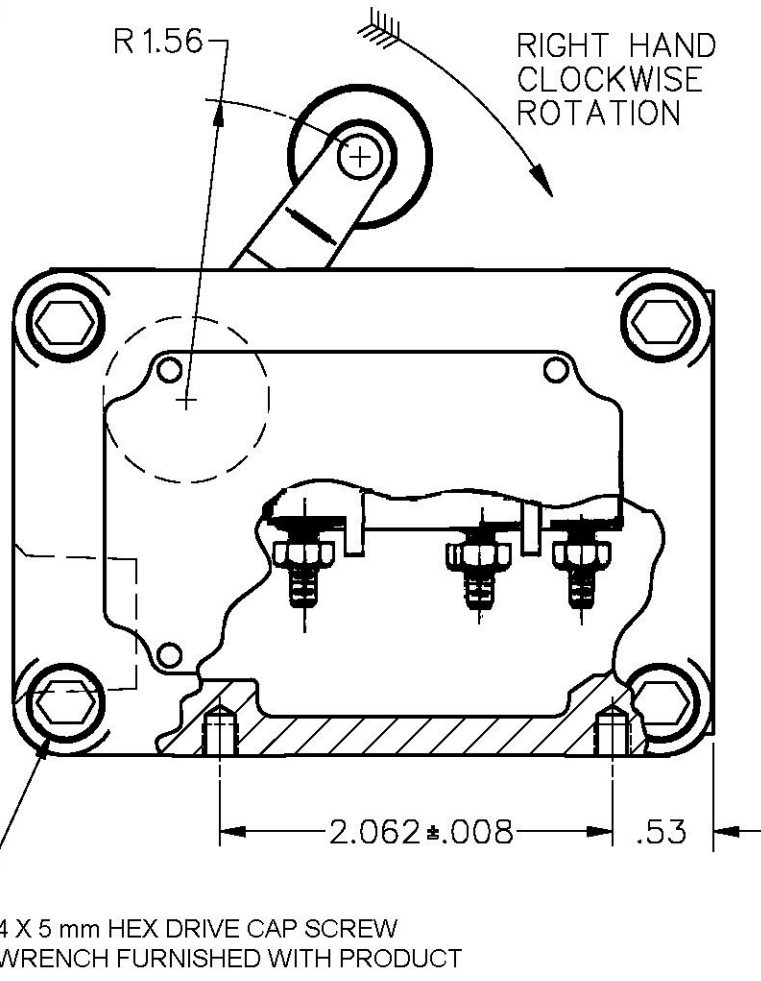
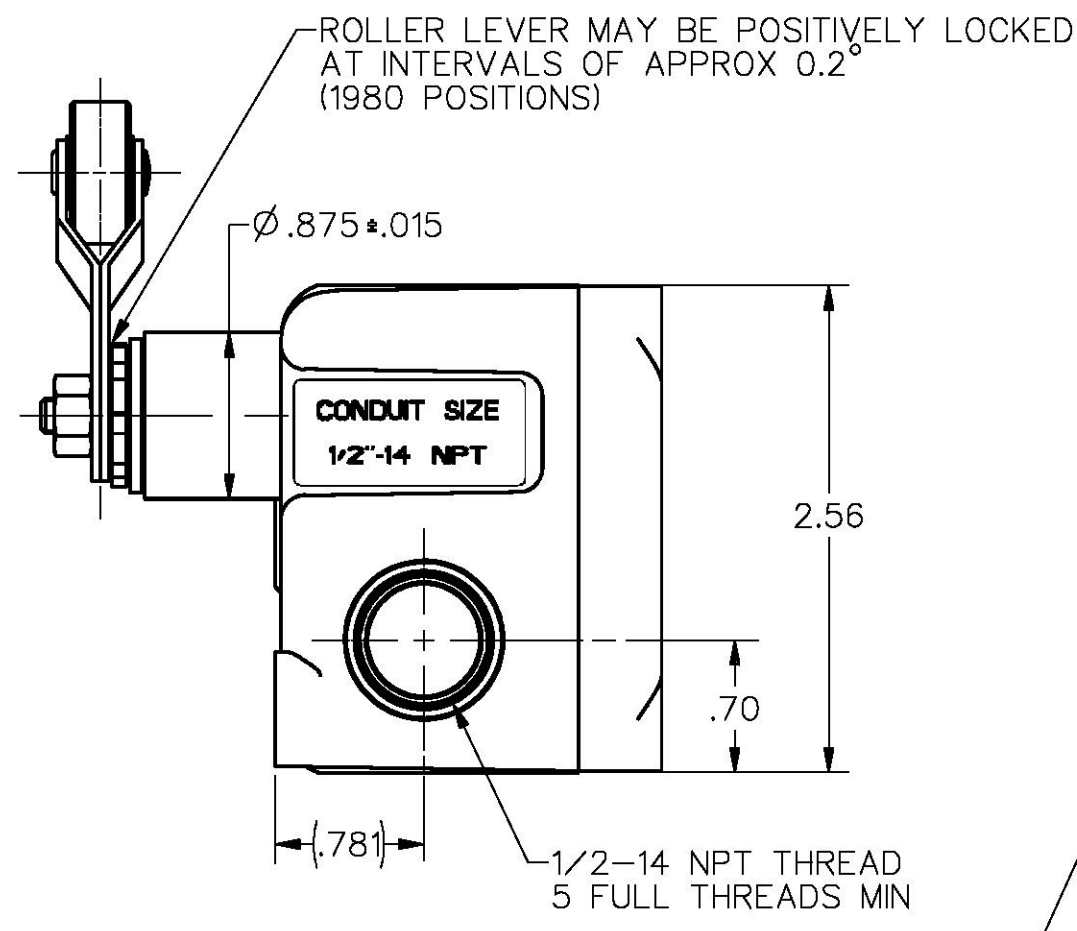
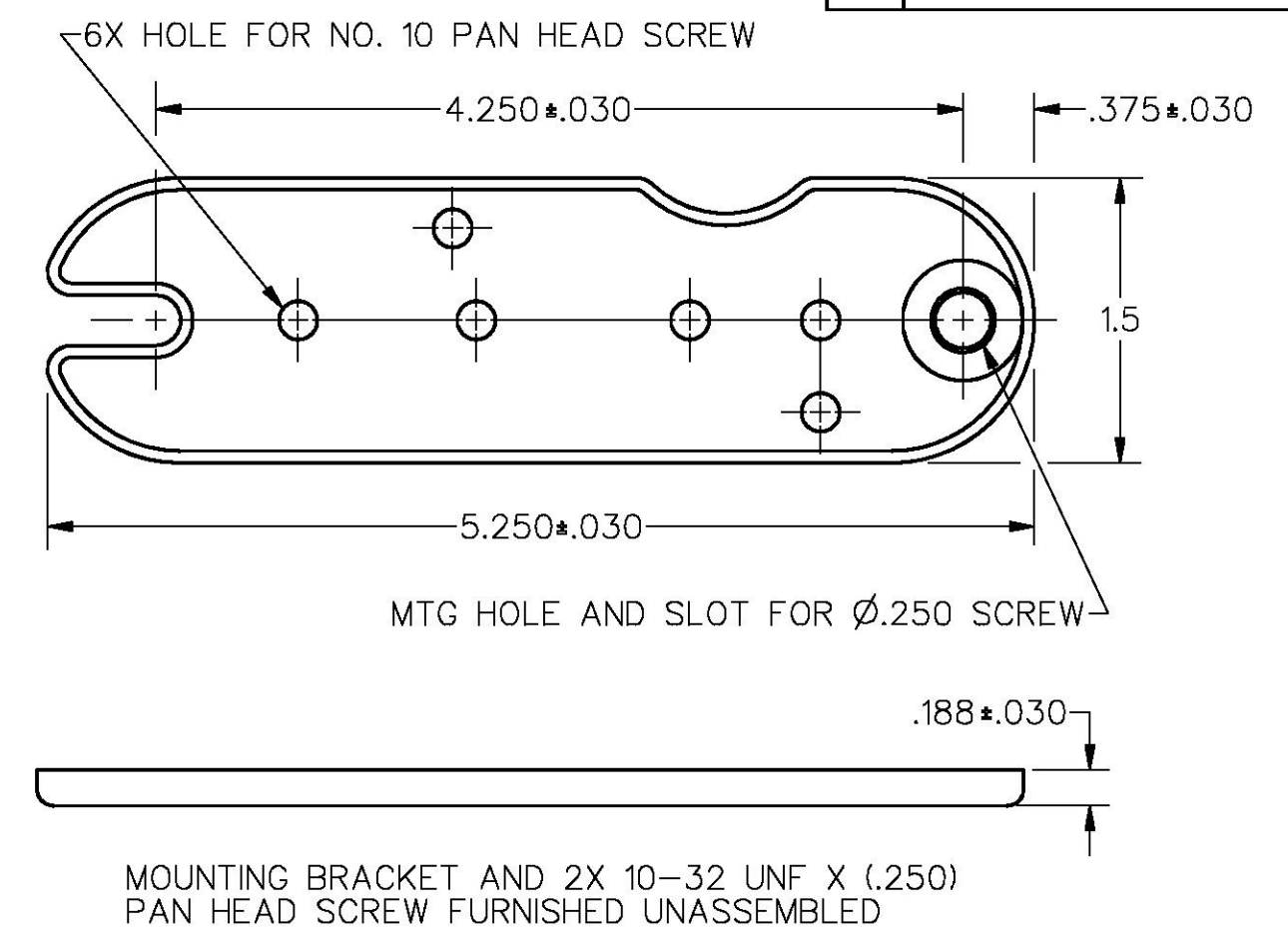
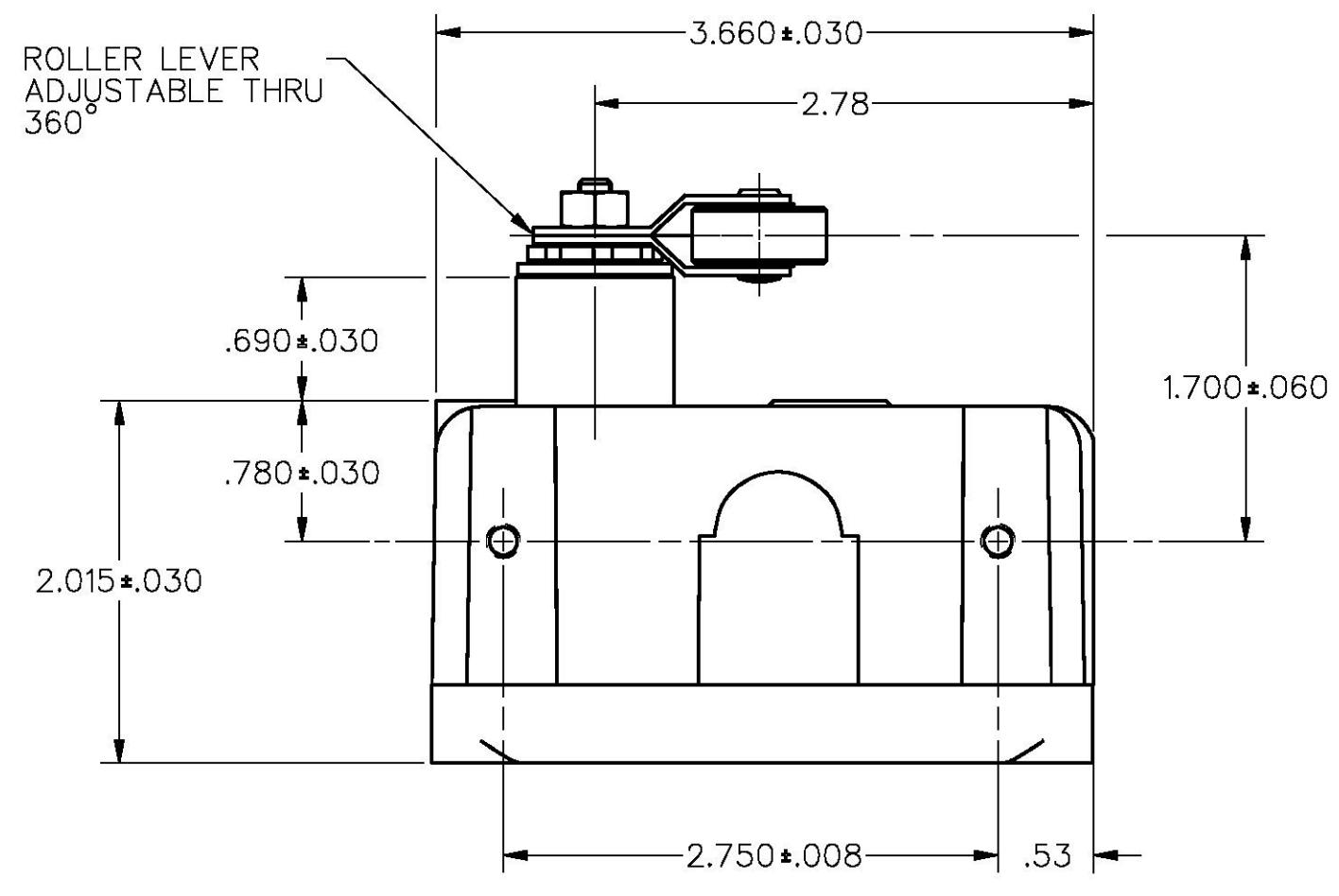
onlinecomponents.com
THE ONLINE DISTRIBUTOR OF ELECTRONIC COMPONENTS

BUY NOW

 **MASTER**TM
E L E C T R O N I C S

BUY NOW

masterelectronics.com & onlinecomponents.com
are **authorized** e-commerce distributors
of electronic components.



- NOTES**
- 1 - EXPLOSION PROOF - UNDERWRITERS LAB INC LISTED FOR HAZARDOUS LOCATIONS NEMA 7, CLASS I, GROUPS C AND D, NEMA 9, CLASS II, GROUPS E, F, AND G
 - 2 - 8X MOUNTING SCREW HOLE, 10-32 UNF THREADS X (.219) DEEP
 - 3 - 6-32 UNC HEX. TERMINAL NUTS .25 ACROSS FLATS X .09 THICK
 - 4 - EUROPEAN HAZARDOUS LOCATIONS DESIGNATION: Ex d IIB + H2 T2 CATAGORY II 2 G
 - 5 - SEAL RATING: NEMA 1
 - 6 - EXTERNAL GROUND SCREW MAY BE ASSEMBLED TO ANY UNUSED MOUNTING SCREW HOLE
 - 7 - ASSEMBLE PROVIDED SPLIT LOCKWASHER BETWEEN GROUND LUG AND HOUSING
 - 8 - SWITCH WILL WITHSTAND TEMPERATURE OF 400°F
 - 9 - BRAZILIAN HAZARDOUS LOCATION DESIGNATION : Ex d IIB+H2 T2 Gb -40 °C ≤ Tamb +204 °C

REPLACES
EXHT-AR
M DRAWING NUMBER
 ISSUE 15
 16OCT15
 CMH
 CHECK
 29NOV12
 DVM
 CHECK
 24AUG08
 DVM
 CHECK
 16OCT92
 S A V 16 OCT 92
 DRAWN
 RASTER

REVISIONS

| | | | |
|---|---------|-----|---------|
| A | 0024299 | RNA | 24AUG08 |
| B | 0070470 | CMH | 16OCT10 |
| C | 0096107 | DJS | 29NOV12 |
| D | 0116023 | DJS | 21NOV14 |
| E | 0124699 | CMH | 16OCT15 |

| CHARACTERISTICS |
|--------------------------------------|
| OPERATING FORCE ----- 12-32 OZ. |
| RELEASE FORCE ----- 5 OZ. MIN. |
| PRETRAVEL ----- .219 MAX (8°) |
| DIFFERENTIAL TRAVEL ---- .016 MAX. |
| DO NOT OVERTRAVEL MORE THAN ---- 25° |
| SWITCH - BASIC REPLACEMENT-- 2HT1 |

| ELECTRICAL DATA |
|--|
| CONTACT ARRANGEMENT S P D T |
| CODE L110 3A-125 OR 250VAC 1/10HP - 125 VAC; 1/6HP - 250VAC |
| |

MASTER REDUCED
 ANSI Y14.5M-1982 APPLIES

| | | | |
|--|--------------------------|-----------------------------------|---|
| THIS DRAWING COVERS A PROPRIETARY ITEM AND IS THE PROPERTY OF MICRO SWITCH, A DIVISION OF HONEYWELL. THIS DRAWING IS NOT TO BE COPIED OR USED WITHOUT THE APPROVAL OF MICRO SWITCH. MICRO SWITCH a Honeywell Division | SWITCH - ENCLOSED | CATALOG LISTING EXHT-AR | THIRD ANGLE PROJECTION SCALE FULL DO NOT SCALE PRINT UNLESS OTHERWISE SPECIFIED TOLERANCES ARE ONE PLACE (.0) ±.030 TWO PLACES (.00) ±.015 THREE PLACES (.000) ±.005 ANGLES ± WEIGHT |
|--|--------------------------|-----------------------------------|---|