

HONEYWELL

See full Datasheet below...

onlinecomponents.com
THE ONLINE DISTRIBUTOR OF ELECTRONIC COMPONENTS

BUY NOW

 **MASTER**TM
ELECTRONICS

BUY NOW

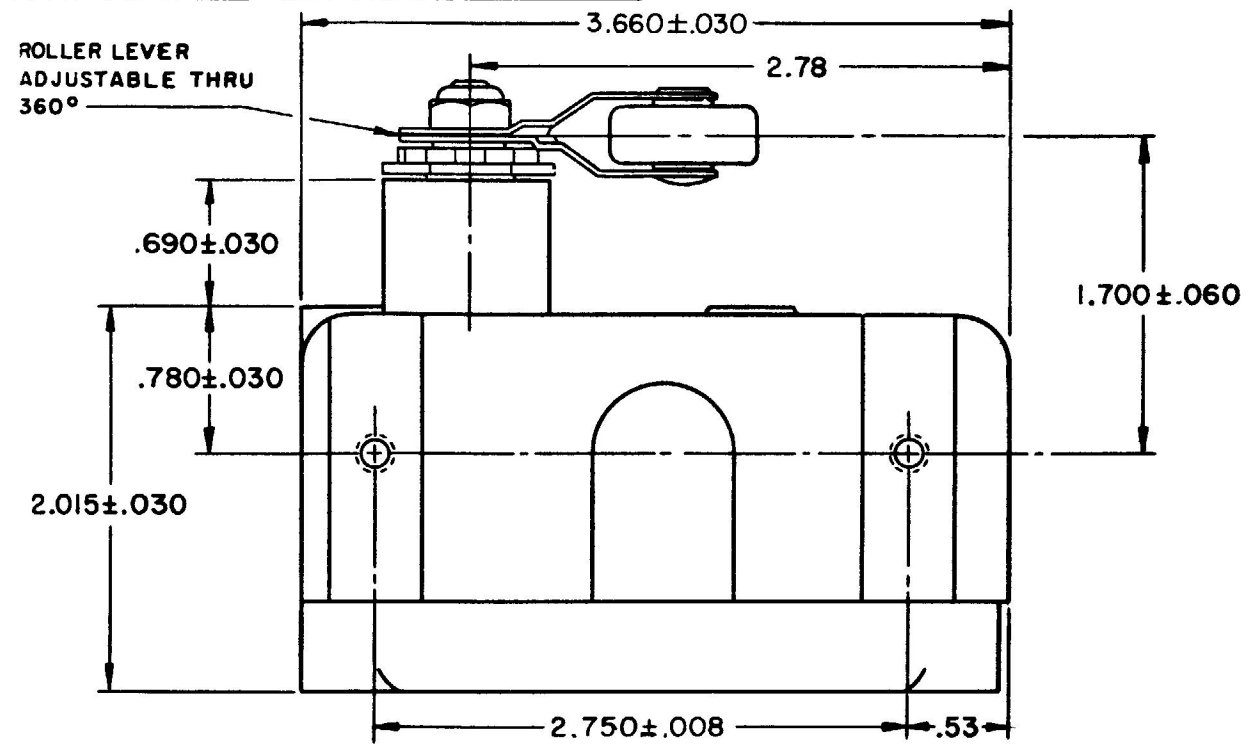
masterelectronics.com & onlinecomponents.com
are **authorized** e-commerce distributors
of electronic components.

EXA-AR62
 DRAWING NUMBER
 8
 ISSUE

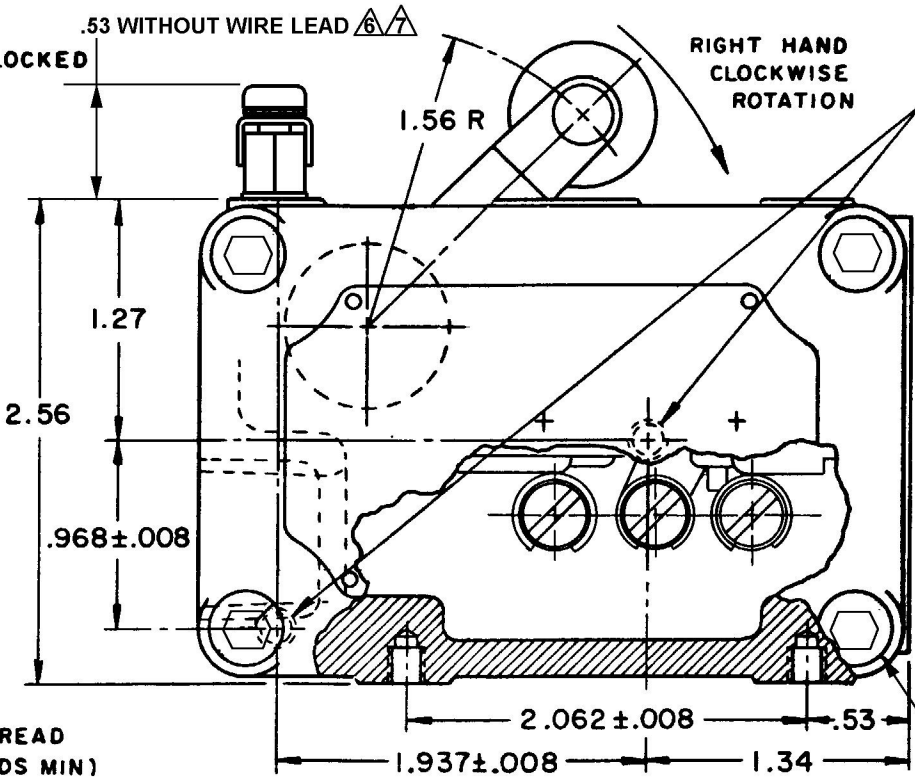
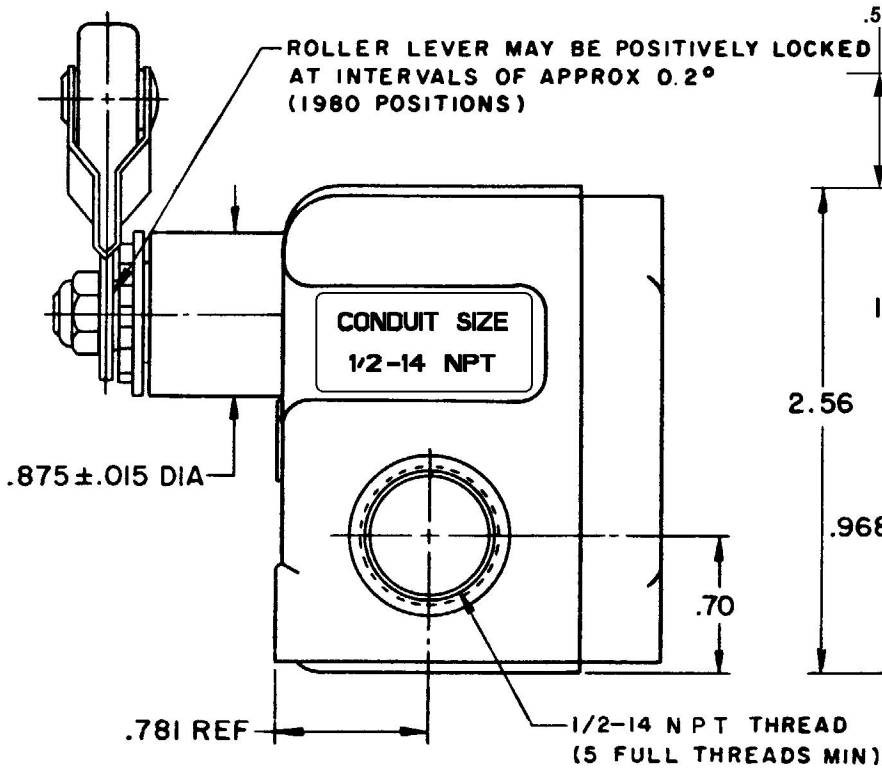
12APR16
 CMH
 CHECK
 26 APR 05
 AK
 21 JUN 73
 L.S.D.
 CHECK
 19 JUN 73
 W.B.

REVISIONS
 A CO 58360
 9 NOV 85
 B CO 61381
 DAW 23 APR 87
 C CO 70715-C
 SAV 6 NOV 91
 D CO 73019
 MAM 19 SEP 92
 E 0012750
 DVM 26 APR 05
 F 0059237
 LK 03DEC09
 G 0129033
 RGA 12APR16

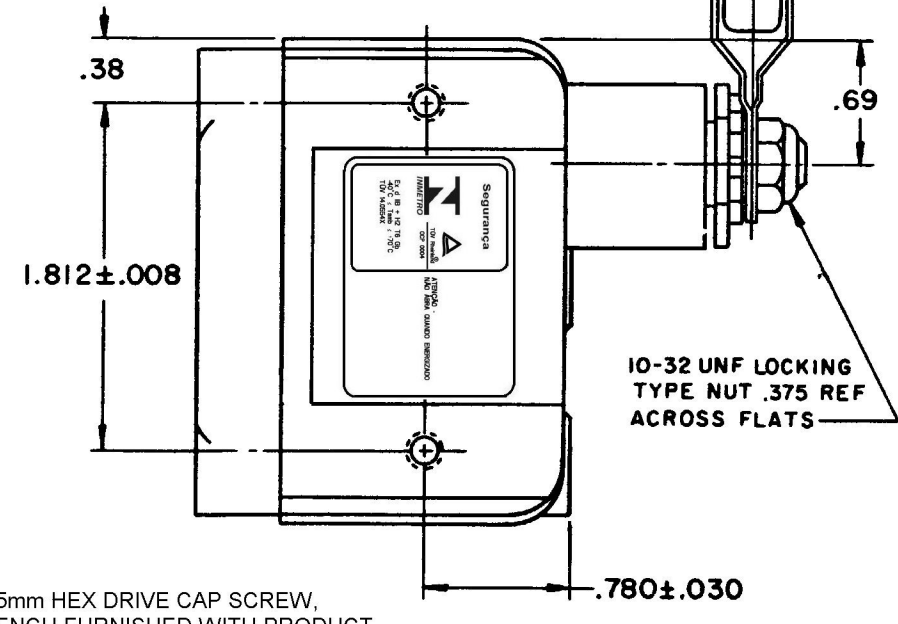
REPLACES
 PR-3424
 12APR16
 CMH
 CHECK
 26 APR 05
 AK
 21 JUN 73
 L.S.D.
 CHECK
 19 JUN 73
 W.B.



.750 REF DIA X .312 REF WIDE
 ROLLER MADE OF NON-
 SPARKING, WEAR RESISTANT
 MATERIAL



MOUNTING HOLE IN
 OPPOSITE WALL (2)



CHARACTERISTICS	
OPERATING FORCE	12-32 OZ
RELEASE FORCE	8 OZ MIN
PRETRAVEL	.219 MAX (8°)
DIFFERENTIAL TRAVEL	.012 MAX
DO NOT OVERTRAVEL MORE THAN	25°
SWITCH BASIC REPLACEMENT	BA-2R-P4

ELECTRICAL DATA	
CONTACT ARRANGEMENT S P D T	
L 23	
20A-125, 250 OR 480 VAC; 10A-125 VAC "L"	
1HP-125 VAC; 2HP-250 VAC	
1/2A-125 VDC; 1/4A-250 VDC	

SCALE FULL	
DO NOT SCALE PRINT	
UNLESS OTHERWISE NOTED	
DIMENSIONS ARE IN INCHES	
TOLERANCES ARE:	
ONE PLACE (.0)	±.030
TWO PLACE (.00)	±.015
THREE PLACE (.000)	±.008
ANGLES	±
WEIGHT	

- NOTE-**
- 1 - MOUNTING SCREW HOLES, 10-32 UNF - 2 B THREADS X .219 REF DEEP (8)
 - 2 - 8-32 UNC X .219 REF BINDING HEAD TERMINAL SCREW AND CUPWASHER (3)
 - 3 - EXPLOSION PROOF - UNDERWRITER'S LAB, INC. LISTING FOR HAZARDOUS LOCATIONS NEMA 7, CLASS I, GROUPS C AND D, NEMA 9, CLASS II, GROUPS E, F, AND G
 - 4 - EUROPEAN HAZARDOUS LOCATIONS DESIGNATION: Ex d IIB + H2 T6 CATAGORY II 2 G
 - 5 - SEAL RATING: NEMA 1
 - 6 - EXTERNAL GROUND SCREW MAY BE ASSEMBLED TO ANY UNUSED MOUNTING SCREW HOLE
 - 7 - ASSEMBLE PROVIDED SPLIT LOCKWASHER BETWEEN GROUND LUG AND HOUSING
 - 8 - BRAZILIAN HAZARDOUS LOCATION DESIGNATION: Ex d IIB+H2 T6 Gb -40 °C ≤ Tamb ≤ +70 °C

RASTER
 FO-50378-003