

HONEYWELL

See full Datasheet below...

onlinecomponents.com
THE ONLINE DISTRIBUTOR OF ELECTRONIC COMPONENTS

BUY NOW

 **MASTER**TM
E L E C T R O N I C S

BUY NOW

masterelectronics.com & onlinecomponents.com
are **authorized** e-commerce distributors
of electronic components.

EX-XR9

M

DRAWING NUMBER

11

ISSUE

REPLACES

PR-1513

15OCT15

CHECK

CMH

70

CHECK

NOV 70

CHECK

NOV 73

CHECK

NOV 85

CHECK

APR 87

CHECK

APR 88

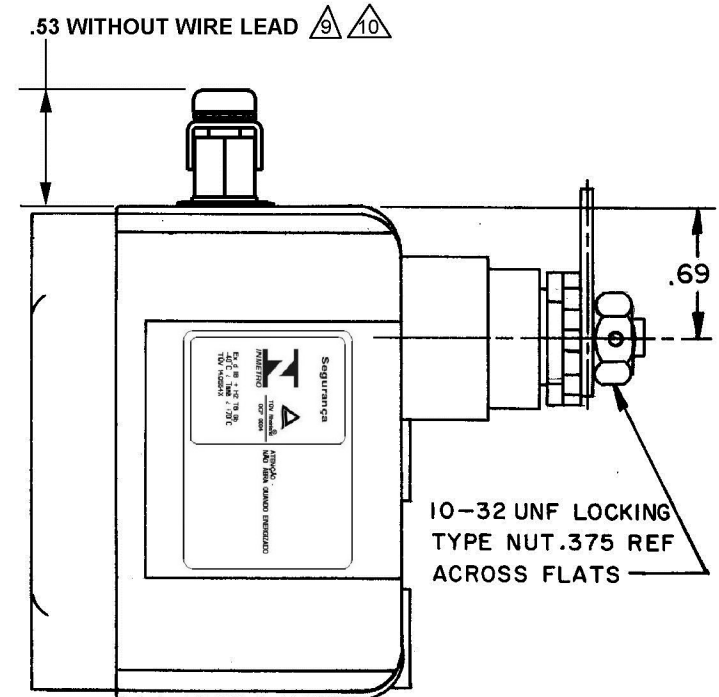
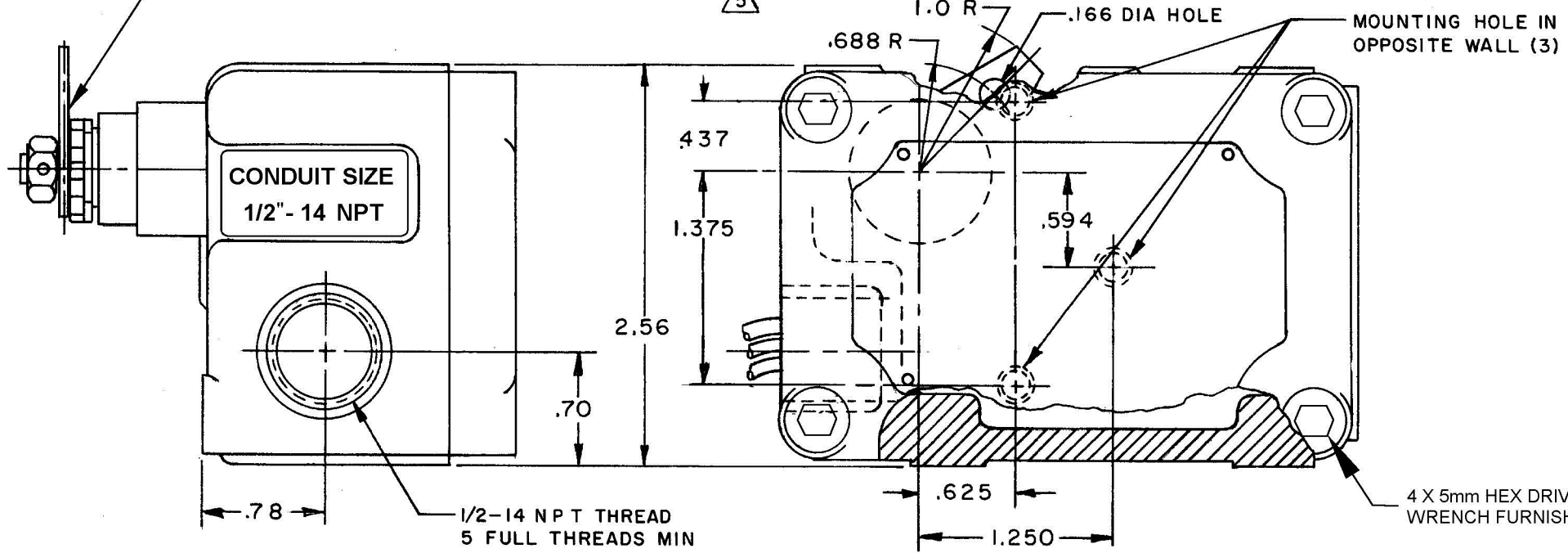
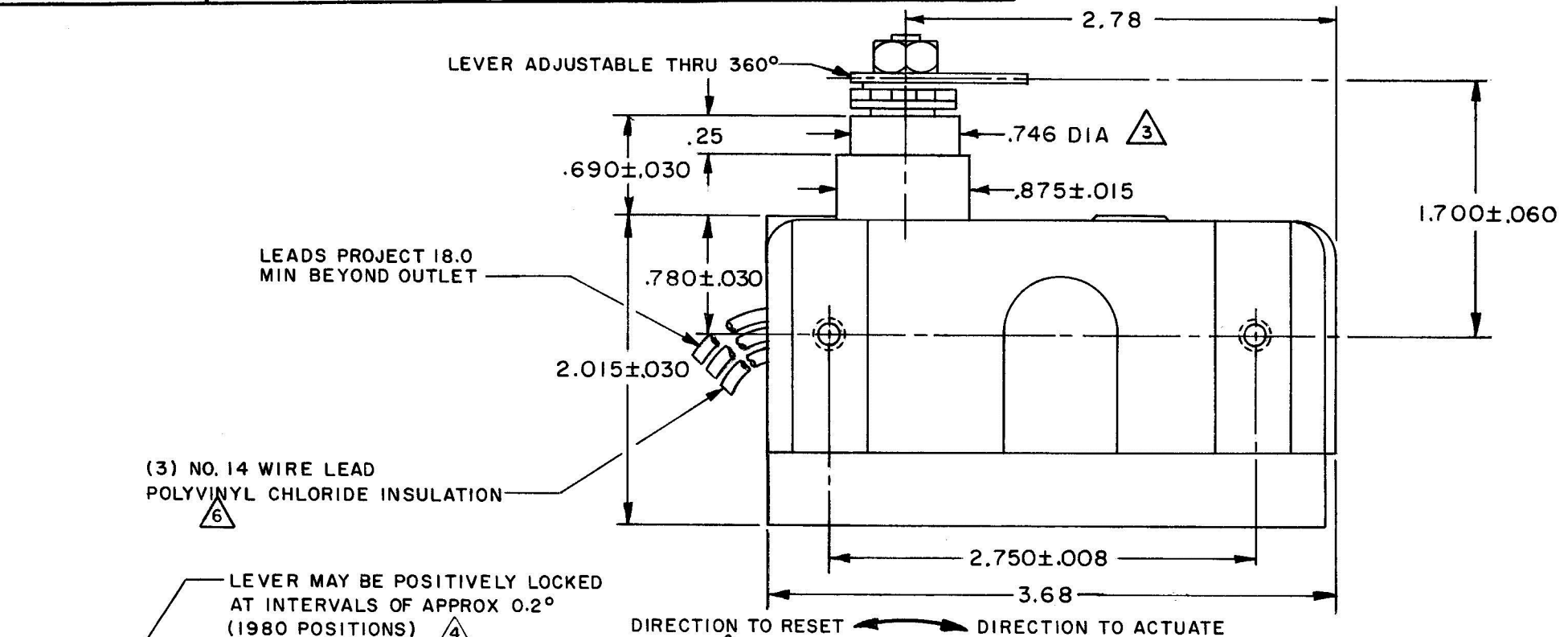
CHECK

APR 92

CHECK

REVISIONS

A	CO29865	RER	14 DEC 71
B	CO31559	RER	13 FEB 73
C	CO58380	CSH	9 NOV 85
D	CO61381	DAW	22 APR 87
E	CO63239	YLB	21 MAR 88
F	CO73019	MAM	19 SEP 92
G	0010213	BM	21 DEC 04
H	0012750	DVM	26 APR 05
J	0068804	MBN	27 AUG 10
K	0124699	JC	15 OCT 15



THIS DRAWING COVERS A PROPRIETARY ITEM AND IS THE PROPERTY OF MICRO SWITCH, A DIVISION OF MINNEAPOLIS-HONEYWELL REGULATOR CO. THIS DRAWING IS NOT TO BE COPIED OR USED WITHOUT THE APPROVAL OF MICRO SWITCH.

CHARACTERISTICS (AT .688 LEVER LENGTH)	ELECTRICAL DATA	SCALE FULL
OPERATING FORCE --- 1 3/4 LB MAX	CONTACT ARRANGEMENT	DO NOT SCALE PRINT
PRETRAVEL --- .097 MAX (8°)	SINGLE POLE DOUBLE THROW MAINTAINED CONTACT	UNLESS OTHERWISE NOTED
DO NOT OVERTRAVEL MORE THAN --- 90°		DIMENSIONS ARE IN INCHES
RESET CHARACTERISTICS (COUNTER CLOCKWISE ROTATION)		TOLERANCES ARE:
OPERATING FORCE --- 1 3/4 LB MAX	-L96- 15 A - 125, 250, OR 480 VAC	ONE PLACE (.0) ±.030
PRETRAVEL --- .097 MAX (8°)	1/2 A - 125 VDC; 1/4 A - 250 VDC	TWO PLACE (.00) ±.015
OVERTRAVEL --- .013 MIN (1°)	1/8 HP - 125 VAC; 1/4 HP - 250 VAC	THREE PLACE (.000) ±.005
SWITCH BASIC REPLACEMENT - BZ-RX63-NT		ANGLES ±
		WEIGHT

- NOTE-
- 1 - EXPLOSION PROOF - UNDERWRITERS' LAB. INC. LISTED FOR HAZARDOUS LOCATIONS NEMA 7, CLASS I, GROUPS C AND D, NEMA 9, CLASS II, GROUPS E, F AND G.
 - 2 - MOUNTING SCREW HOLE, 10-32 UNF-2B THREADS X.219 REF DEEP (5)
 - 3 - BLOW HOLES PERMISSIBLE IN .746 DIA
 - 4 - LEVER PART NO. EX-10543 FURNISHED UNASSEMBLED
 - 5 - WITH THE SWITCH IN THE RESET POSITION THE LEAD WIRES ARE CODED AS FOLLOWS: NORMALLY OPEN - BLUE; NORMALLY CLOSED - RED; COMMON - BLACK
 - 6 - COM LEAD - BLACK
N.O. LEAD - BLUE
N.C. LEAD - RED
 - 7 - EUROPEAN HAZARDOUS LOCATIONS DESIGNATION: Ex d IIB + H2 T6 CATAGORY II 2 G
 - 8 - SEAL RATING: NEMA 1
 - 9 - EXTERNAL GROUND SCREW MAY BE ASSEMBLED TO ANY UNUSED MOUNTING SCREW HOLE
 - 10 - ASSEMBLE PROVIDED SPLIT LOCKWASHER BETWEEN GROUND LUG AND HOUSING
 - 11 - BRAZILIAN HAZARDOUS LOCATION DESIGNATION:
Ex d IIB + H2 T6 Gb
-40°C ≤ Tamb ≤ +70°C

RASTER
 FO-80378-003

DRAWN

MBS

20 OCT 70

CHECK

AK