

HONEYWELL

See full Datasheet below...

onlinecomponents.com
THE ONLINE DISTRIBUTOR OF ELECTRONIC COMPONENTS

BUY NOW

 **MASTER**TM
ELECTRONICS

BUY NOW

masterelectronics.com & onlinecomponents.com
are **authorized** e-commerce distributors
of electronic components.

MICRO SWITCH

A DIVISION OF MINNEAPOLIS-HONEYWELL REGULATOR COMPANY
FREEPORT, ILLINOIS

FED. MFR. CODE 91929

SWITCH-ENCLOSED

CATALOG LISTING EX-AR800

M

EX-AR800

M

DRAWING NUMBER

16

ISSUE

CMH

19OCT15

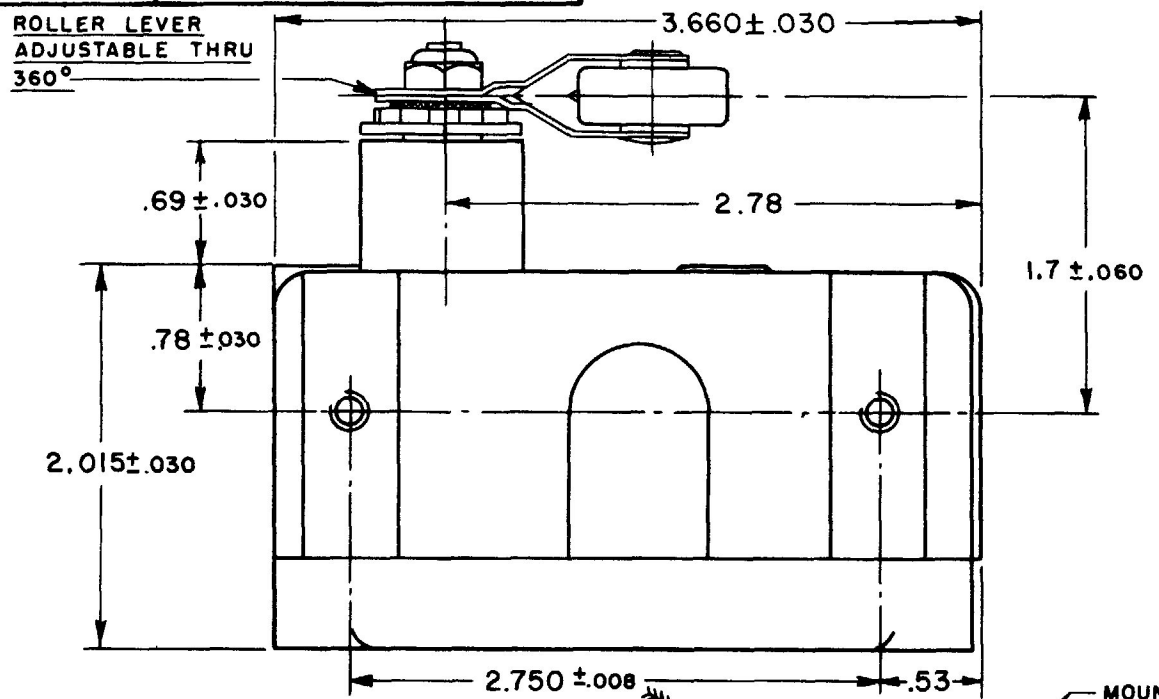
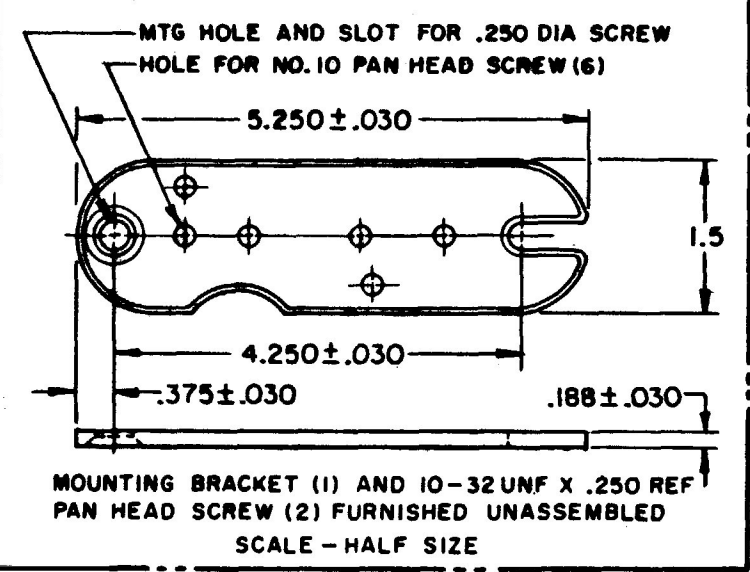
RELEASE NO. SR 8717

REPLACES

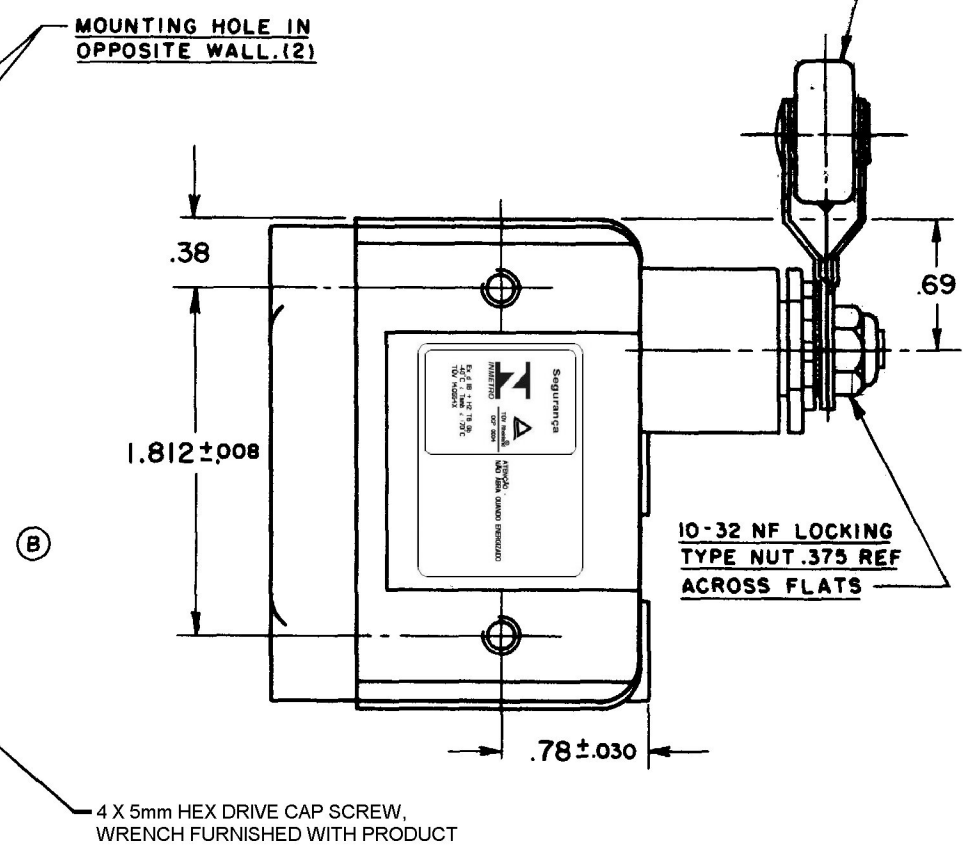
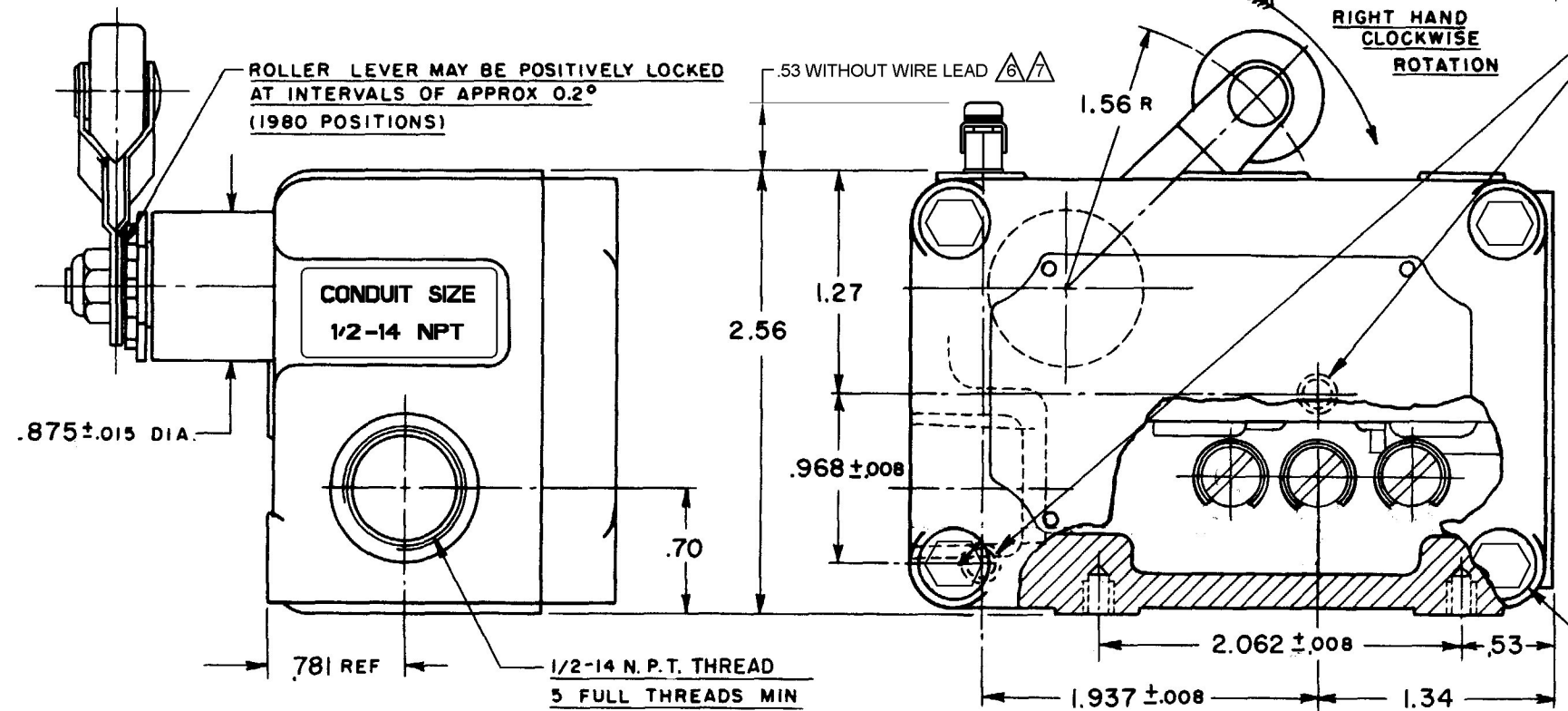
REVISIONS

L	CO	70715B	YSM	10 OCT 91
M	CO	73019	MAM	19 SEP 92
N		0012750	KR	27 APR 05
P		0059237	LK	03 DEC 09
R		0124699	RKA	19 OCT 15




RELEASE NO. SR 8717
19OCT15
CMH
CHECK REJ 20 OCT 58
CHECK REJ 18 JAN 60
CHECK REJ 16 OCT 58
DRAWN FO-80378.003



.750 REF DIA X .312 REF WIDE ROLLER
MADE OF NON-SPARKING WEAR
RESISTANT MATERIAL.



THIS DRAWING COVERS A PROPRIETARY ITEM AND IS THE PROPERTY OF MICRO SWITCH, A DIVISION OF MINNEAPOLIS-HONEYWELL REGULATOR CO. THIS DRAWING IS NOT TO BE COPIED OR USED WITHOUT THE APPROVAL OF MICRO SWITCH.

CHARACTERISTICS	ELECTRICAL DATA	SCALE FULL
OPERATING FORCE --- 1/2-1 1/4 LBS	CONTACT ARRANGEMENT S. P. D. T.	DO NOT SCALE PRINT
RELEASE FORCE --- 1/4 LB MIN	(C) -L96- 15 A-125, 250, OR 480 VAC 1/2 A-125 VDC; 1/4 A-250 VDC 1/8 HP-125 VAC, 1/4 HP-250 VAC   	UNLESS OTHERWISE SPECIFIED DIMENSIONS ARE IN INCHES
PRETRAVEL --- .219 MAX 8°		TOLERANCES ARE:
DIFFERENTIAL TRAVEL --- .007 MAX 1/4°		ONE PLACE (.0) ±.030
DO NOT OVERTRAVEL MORE THAN --- 90°		TWO PLACE (.00) ±.015
SWITCH-BASIC REPLACEMENT --- BZ-2R-P4	THREE PLACE (.000) ±.008	
	ANGLES ±	
	WEIGHT	

- NOTE-
- 1 - MOUNTING SCREW HOLE, 10-32 NF-2B THREADS X .219 REF DEEP. (8)
 - 2 - 8-32 NC X .219 REF TERMINAL SCREWS AND CUPWASHERS.
 - 3 - EXPLOSION PROOF-UNDERWRITER'S LAB INC LISTING FOR HAZARDOUS LOCATIONS NEMA 7, CLASS I, GROUPS B, C AND D, NEMA 9, CLASS II GROUPS E, F AND G.
 - 4 - EUROPEAN HAZARDOUS LOCATIONS DESIGNATION: Ex d IIB + H2 T6 CATAGORY II 2 G
 - 5 - SEAL RATING: NEMA 1
 - 6 - EXTERNAL GROUND SCREW MAY BE ASSEMBLED TO ANY UNUSED MOUNTING SCREW HOLE
 - 7 - ASSEMBLE PROVIDED SPLIT LOCKWASHER BETWEEN GROUND LUG AND HOUSING
 - 8 - BRAZILIAN HAZARDOUS LOCATION DESIGNATION : Ex d IIB+H2 T6 Gb -40 °C ≤ Tamb ≤ +70 °C

RASTER