

HONEYWELL

See full Datasheet below...

onlinecomponents.com
THE ONLINE DISTRIBUTOR OF ELECTRONIC COMPONENTS

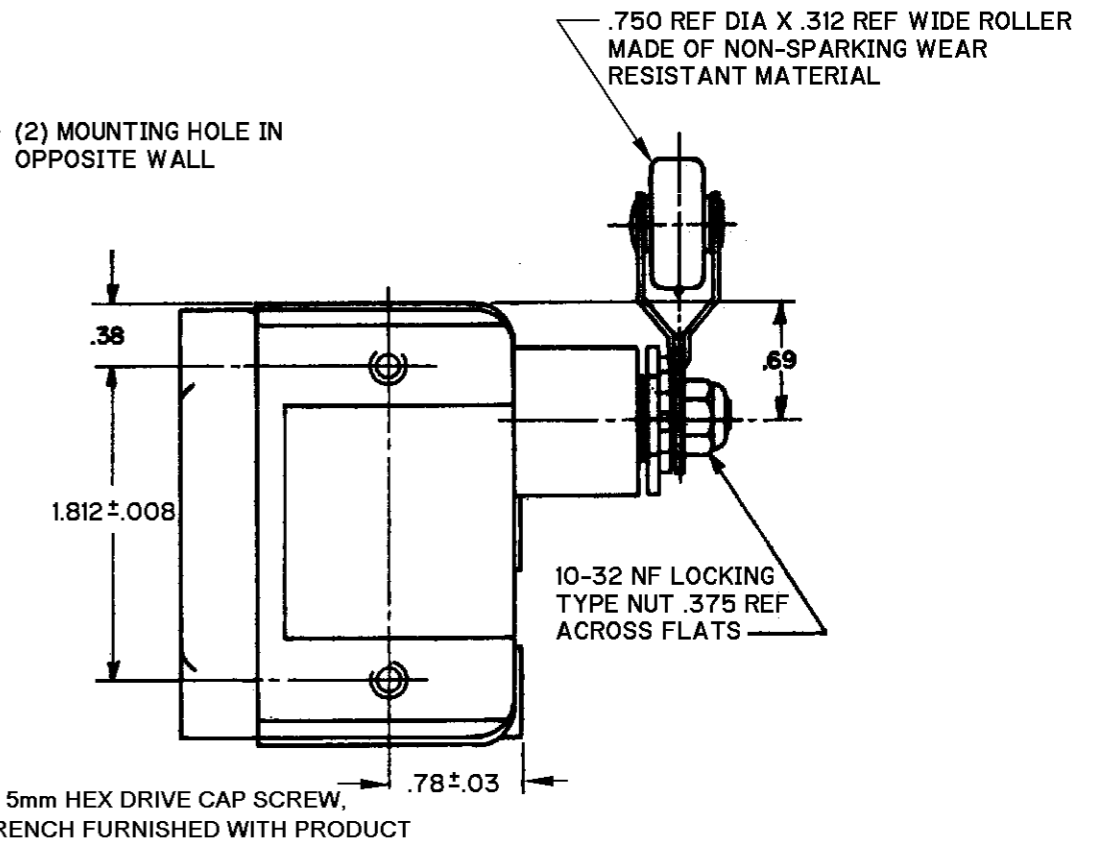
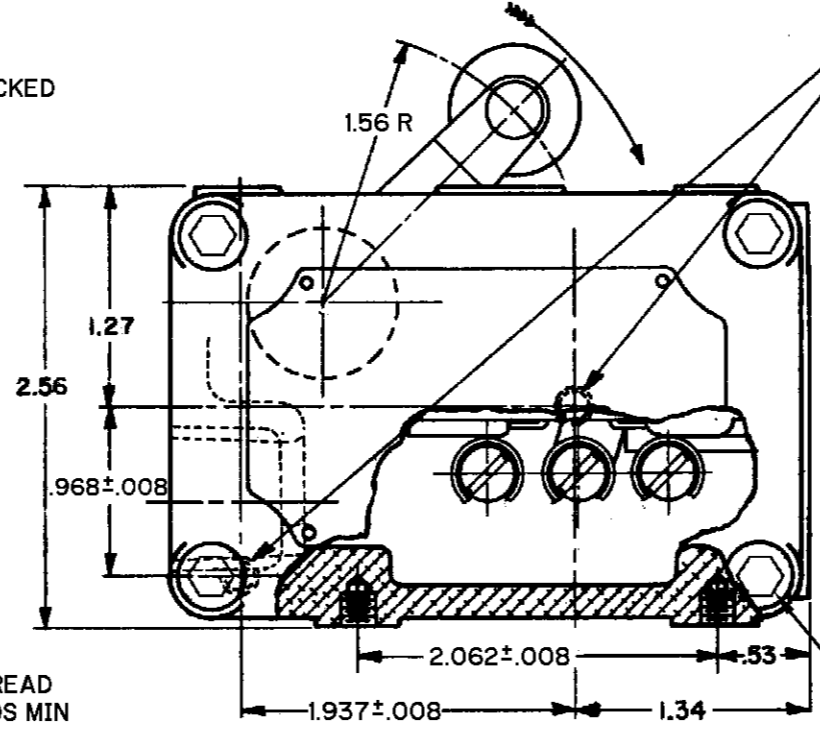
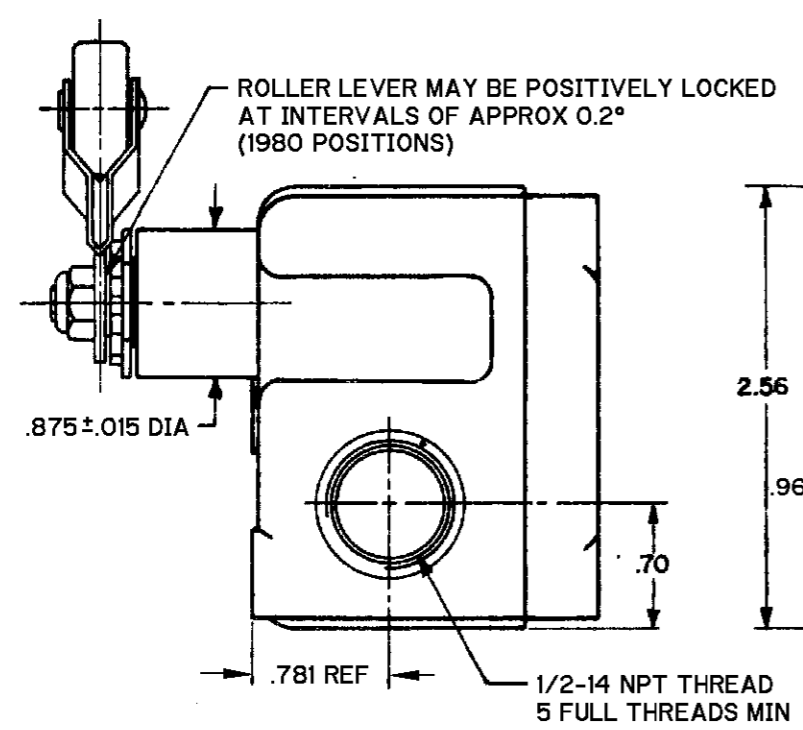
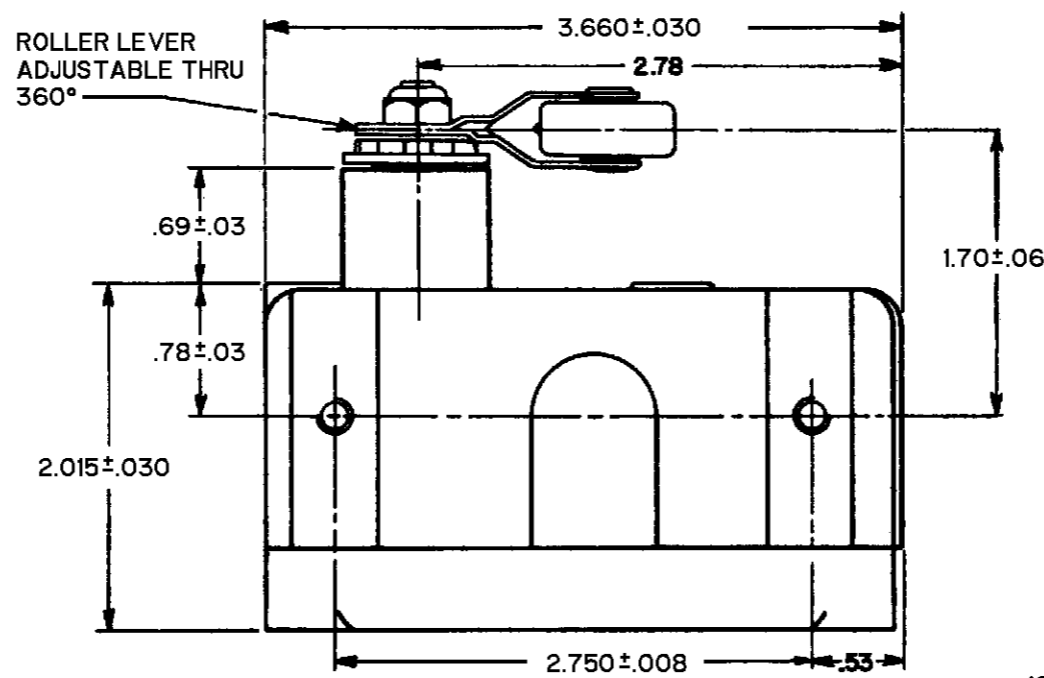
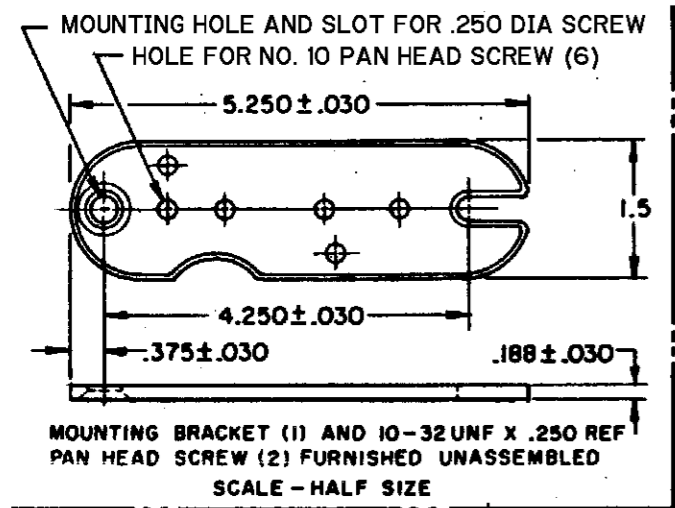
BUY NOW

 **MASTER**TM
ELECTRONICS

BUY NOW

masterelectronics.com & onlinecomponents.com
are **authorized** e-commerce distributors
of electronic components.

CATALOG LISTING
EX-AR400
PAGE 1 OF 1
RELEASE NO. SR-5464
REPLACES
ISSUE 14
REVISIONS
A C095517 TSM 29 SEP 99
B 0012750 KSR 25 APR 05
CHECK
AK 25 APR 05
SAV 29 SEP 99
SAV 29 SEP 99
CHECK
TSM 29 SEP 99
DRAWN
RASTER



THIS DRAWING COVERS A PROPRIETARY ITEM AND IS THE PROPERTY OF MICRO SWITCH, A DIVISION OF HONEYWELL. THIS DRAWING IS NOT TO BE COPIED OR USED WITHOUT THE APPROVAL OF MICRO SWITCH

CHARACTERISTICS	ELECTRICAL DATA
OPERATING FORCE - - - - - 8-20 OZ	CONTACT ARRANGEMENT SPDT
RELEASE FORCE - - - - - 4 OZ MIN	L35 5A 125, 250 OR 480 VAC 1/2A 125 VDC, 1/4A 250 VDC
PRETRAVEL - - - - - .219 MAX (8°)	
DIFFERENTIAL TRAVEL - - .007 MAX (1/4°)	
DO NOT OVERTRAVEL MORE THAN 90°	
SWITCH BASIC REPLACEMENT - - - BZ-2R244-P1	

THIRD ANGLE PROJECTION

SCALE **FULL**

DO NOT SCALE PRINT

UNLESS OTHERWISE SPECIFIED TOLERANCES ARE

ONE PLACE	(.0)	± .030
TWO PLACE	(.00)	± .015
THREE PLACE	(.000)	± .005
ANGLES		±
WEIGHT		

- NOTES**
- (8) MOUNTING SCREW HOLES, 10-32 NF-28 THREAD X .219 REF DEEP
 - 8-32 NC X .219 REF TERMINAL SCREWS AND CUPWASHERS
 - EXPLOSION PROOF - UNDERWRITER'S LAB. INC. LISTED RATING FOR HAZARDOUS LOCATIONS NEMA 7, CLASS I, GROUPS C AND D, NEMA 9, CLASS II, GROUPS E, F AND G
 - SWITCH WILL WITHSTAND 400°F FOR 100 HOURS
 - SEAL RATING: NEMA 1