

Table of Contents

High Voltage DC Contactors

Quick Reference Guide	7-4, 7-5
MAP Aerospace Military Contactors	
MAP101 Series	7-6, 7-7
MAP100 Series	7-8, 7-9
MAP200 Series	7-10, 7-11
MAP201 Series	7-12, 7-13
CAP Aerospace Commercial	
CAP202 Series	7-14, 7-15
CAP200 Series	7-16, 7-17
CAP100 Series	7-18 – 7-20
EV OEM/Commercial & Electric Vehicle	
EV200A Series	7-21, 7-22
EV200B Series	7-23, 7-24
EV200P Series	7-25, 7-26
EV100 Series	7-27, 7-28
LEV Industrial Commercial	
LEV100 Series	7-29 – 7-31
LEV200 Series	7-32, 7-33

AC Contactors

FM200 Series	7-34, 7-35
AC30 Series	7-36

Traditional 270 Vdc Aerospace Contactors

AP50X Series	7-37
AP90X Series	7-38, 7-39
AP150X Series, AP150P Series	7-40
AP265X Series, AP265P Series	7-41
AP350X Series	7-42

Traditional 28 Vdc to 1800 Vdc Contactors

PD90X Series	7-43
PD150X Series	7-44
EV250 Series	7-45 – 7-48
EV500 Series	7-49, 7-50
PD350X Series	7-51

High Voltage Relays

Quick Reference Guide	7-52, 7-53
270 Vdc Aerospace Relays	
AP5A Series, AP5B Series, AP5C Series, AP5P Series, AP5R Series	7-54 – 7-56
AP10A Series, AP10B Series, AP10P Series, AP11A Series	7-54 – 7-56
AP44P Series	7-57

Table of Contents (Continued)

High Voltage Relays (continued)

28 Vdc to 1800 Vdc Relays

PD5A Series, PD5B Series, PD5C Series7-58

PD10A Series, PD10B Series, PD10P Series7-59

1.5 - 2.0 kV Relay

S06CBA Series7-60

K45C Series7-61

3.0 kV Relays

S02DNA Series7-62

3.5 kV Relays

HC-1 Series7-63

HC-5 Series7-63

5.0 kV Relays

S06FNA Series7-64

K41A, K41B Series7-65

K41C Series7-65

K41P Series7-66

K41R Series7-66

K40P Series7-67

K40P364 Series7-67

7.0 kV Relays

S06HBA Series7-68

7.5 kV Relays

KM-177-69

8.0 kV Relays

S06JNB Series7-70

K47A Series7-71

K47B Series7-71

HC-2 Series7-72

HC-6 Series7-72

H-18 Series7-73

K44P Series7-74

10 kV Relays

K81 and K81B Series7-75

K81C Series7-76

K43A, K43B and K43C Series7-77

K43P and K43R Series7-78

S05LT Series7-79

12 kV Relays

H-14 and H-16 Series7-80

15 kV Relays

H-8 Series7-81

KC-14 Series7-82

KC-18 Series7-82

KC-2 Series7-83

Table of Contents (Continued)

KC-11 Series	7-83
KC-12 Series	7-83
KC-15 and KC-16 Series	7-84
H-26 Series	7-85
S05MTA Series	7-86
20/25 kV Relays	
H-19 and H-17 Series	7-87
25 kV Relays	
K62A, K62B and K62C Series	7-88
KC-20 Series	7-89
KC-30 Series	7-89
KC-22, KC-32 Series	7-90
KC-28, KC-38 Series	7-90
H-23 and H-24 Series	7-91
35 kV Relays	
KP61 Series	7-92
K60C Series	7-93
K61A and K61B Series	7-94
K61C Series	7-94
50 kV Relays	
K64C Series	7-95
H-25 Series	7-95
70 kV Relays	
K70A and K70B Series	7-96
K70C Series	7-96
Mounting Methods	7-97
Special Connectors	7-98, 7-99
Application Notes for EV/LEC Contactors	7-100, 7-101
Application Notes for MAP/CAP Contactors	7-102 to 7-104
Application Notes on Coil Power Economizing using PWM Circuits	7-104, 7-105



KILOVAC High Voltage DC Contactors

KILOVAC High Voltage DC Contactors Quick Reference Guide

Product Series		(MAP) Aerospace Military			
		MAP101	MAP100	MAP200	MAP201
Main Contact Data					
Continuous Current	A	100	100	500	350
Contact Voltage Range	Vdc	12-900	12-900	12-900	12-900
Electrical Life at Rated Current, 270 Vdc, Resistive Load	Cycles	25,000	15,000	1,000	5,000
Overload (Make/Break) @ 350 Vdc	A	2,000/2,000	500/1,500	650/2,000	2,000/2,000
Rupture (Break only) @ 350 Vdc	A	2,000	1,500	2,000	2,000
Contact Arrangement		SPST	SPST	SPST	SPST
Contact Form		Latch	X (NO) or Latch	X (NO)	X (NO)
Contact Resistance @ Rated Current	milliohms	0.75	0.5	0.2	0.3
Auxiliary Contact Data					
Contact Form/Quantity of Sets (Max.)		Form A/1	Form A/1	Form A/1	Form A/1
Current Rating @ 30 Vdc (Ag/Au), Max.	A	2.0/0.1	2.0/0.1	2.0/0.1	2.0/0.1
Minimum Signal Level	Vdc/mAdc	Ag 6V/15mA Au 5V/5mA	Ag 6V/15mA Au 5V/5mA	Ag 6V/15mA Au 5V/5mA	Ag 6V/15mA Au 5V/5mA
Dielectric Withstanding Voltage					
Contacts to Coil to All Other Points	Vrms	1,500	1,500	2,200	2,200
Insulation Resistance					
Initially @ 500 Vdc	megohms	100	100	100	100
At End of Life @ 500 Vdc	megohms	50	50	50	50
Environmental Data					
Operating Temperature Range	°C	-55 to +85	-55 to +85	-55 to +85	-55 to +85
Storage Temperature Range	°C	-65 to +125	-65 to +125	-65 to +125	-65 to +125
Shock, 11ms, 1/2 Sine	G's	20	20	20	20
Vibration, Sine (55-2,000 Hz)	G's	20	20	20	20
Coil Transient Suppression					
		No	X, Yes/Latch, No	Yes	Yes
Mechanical Data					
Operate Time @ 25°C (Including Bounce), Max./Typ.	ms	40/20	40/20	40/20	40/20
Release Time, Max.	ms	15	15	15	15
Bounce Time, Max.	ms	5	5	5	5
Mechanical Life, Min.	Cycles	100,000	100,000	100,000	100,000
Weight (Nominal)	lb. (kg)	0.79 (.35)	0.79 (.35)	0.95 (.43)	0.95 (.43)
Coil Voltage (Nominal)					
	Vdc	28	28	28	28

Note: Consult Tyco Electronics for complete specifications, detailed performance characteristics and additional models.

For factory-direct application assistance,
dial 800-253-4560, ext. 2055, or
805-220-2055.



KILOVAC High Voltage DC Contactors

KILOVAC High Voltage DC Contactors Quick Reference Guide (Continued)

(CAP) Aerospace Commercial			(EV) OEM/Commercial & Electric Vehicle				(LEV) Industrial Commercial	
CAP202	CAP200	CAP100	EV200A	EV200B	EV200P	EV100	LEV100	LEV200
300	500	100	500	500	500	100	100	500
12-900	12-900	12-900	12-900	12-900	12-900	12-900	900	12-900
10,000	1,000	6,000	1,000	500	500	6,000	6,000	1,000
650/2,000	650/2,000	600/1000	650/2000	650/1000	650/1000	600/1000	600/1000	650/2000
2,000	2,000	1000	2000	1000	1000	1000	1000	1000
DPST	SPST	SPST	SPST	SPST	SPST	SPST	SPST	SPST
2X (NO)	X (NO)	X (NO)	X(NO)	Y(NC)	X (LATCH)	X(NO)	X(NO)	X(NO)
0.2	0.2	0.2	0.2	0.2	0.2	0.2	0.2	0.2
Form C/4	Form A/2	Form C/1	Form A/1	Form A/1	Form A/1	None	Form X/1	Form X/1
2.0/0.1	2.0/0.1	2.0/0.1	2.0/0.1	2.0/0.1	2.0/0.1	2.0/0.1	2.0/0.1	2.0/0.1
Ag 6V/15mA Au 5V/5mA	Ag 6V/15mA Au 5V/5mA	Ag 6V/15mA Au 5V/5mA	Ag 6V/15mA Au 5V/5mA	Ag 6V/15mA Au 5V/5mA	Ag 6V/15mA Au 5V/5mA	—	—	Ag 6V/15mA Au 5V/5mA
2,200	2,200	2,200	2,200	2,200	2,200	2,200	2,000	2,200
100	100	100	100	100	100	100	100	100
50	50	50	50	50	50	50	50	50
-55 to +85	-55 to +85	-55 to +85	-40 to +85	-40 to +60	-40 to +85	-40 to +85	-40 to +85	-40 to +85
-65 to +125	-65 to +125	-65 to +125	-65 to +125	-65 to +125	-65 to +125	-65 to +125	-65 to +125	-65 to +125
30	20	20	20	30 (Closed)/ 10 (Open)	30	20	20	20
20	20	20	20	10	20	20	20	20
Yes	Yes	Yes	Yes	Yes	No	Yes	No	No
40/20	40/20	25/15	25/15	25/15	25/15	25/15	25/15	25
15	15	10	12	15	15	15	10	15
5	5	5	7	5	5	5	5	5
100,000	100,000	100,000	1,000,000	100,000	100,000	1,000,000	1,000,000	100,000
1.3 (.59)	0.95 (.43)	6.70 (190)	0.95 (.43)	0.95 (.43)	.99 (.53)	.28 (.130)	0.42 (.19)	1.3 (.60)
28	28	28	9-36	12/24	12/24	9-36	12/24/48	12/24/48

For factory-direct application assistance,
dial 800-253-4560, ext. 2055, or
805-220-2055.

**KILOVAC MAP101 Series Contactor with 1 Form A (SPST-NO) Contacts
Rated up to 100 Amps, 12-900 Vdc Dual Contact Material (Cu/Mo)**

Product Facts

- Dual contact material (copper/moly) designed for high current make and interrupt military aerospace, ground vehicle and naval applications
- Hermetically sealed, intrinsically safe, operates in explosive/harsh environments with no oxidation or contamination of coils or contacts, during long periods of non-operation
- Comes standard with 1 SPST-NO Aux. contact
- Not position sensitive, can be mounted in any orientation



Physical Data

Contact Arrangement —

Main Contacts —
SPST-Latching (form X)
1X Auxiliary Contact —
SPST-NO (form A)

Dimensions — See drawing

Weight, Nominal —
0.35 Kg (12.35 oz)

Environmental Data

Shock, 11ms 1/2 Sine (Operating) — 20 G_{peak}

Sine Vibration, 20 G_{peak} —
55-2000 Hz

Random Vibration, 14.06 Grms —
15 Hz (.002 G²/Hz), 100 Hz (.002 G²/Hz),
450 Hz (.12 G²/Hz), 900 Hz (.12 G²/Hz),
2000 Hz (.083 G²/Hz)

Operating Temperature Range —
-55°C to +85°C

Electrical Data

Voltage Rating —
Main Contacts (max) — 400 Vdc
Auxiliary Contacts — 30 Vdc

Current Rating, Continuous —
Main Contacts ¹ — 100 A
Auxiliary Contacts — 3 A

Contact Resistance —
Main Contacts —
100 mΩ max @ 1 amp
0.75 mΩ max @ rated current
Auxiliary Contacts —
200 mΩ max

Electric Life at Rated Current 270 Vdc, Resistive Load —
25,000 cycles

Mechanical Life — 100,000 cycles

Dielectric Withstand Voltage —
Terminal to Terminal/ Terminals to Coil —
1mA max @ 1,300Vrms

Insulation Resistance —

Terminal to Terminal/ Terminals to Coil —
100MΩ min @ 500Vdc new
50MΩ min @ 500Vdc end of life

Note:

¹ Continuous current rating is affected by conductors attached.
Keep terminals below 150°C max continuous.

Coil Data

Coil Voltage, Nominal/ Max —
28/ 32 Vdc

Coil Resistance @ 25°C —
Contacts Close Coil — 18 Ω
Contacts Open Coil — 13 Ω

Pick Up/ Drop Out (Max) —
16 Vdc (-55°C to +25°C)
18 Vdc (+25°C to +85°C)

Coil Current (Max) @ 32Vdc/ -40°C — 4.0 A

Coil Current On Time (Minimum Required to Latch) — 40 ms

Main Contacts —
Operate Time (Max) — 40 ms
Operate Bounce (Max) — 5 ms
Release Time — 25 ms

Auxiliary Contacts Operate/ Release — Within ± 5 ms of main

Ordering Information

Typical Part Number ▶

Series: MAP101 = 100 Amp, 12-900VDC Contactor
Dual Contact Material

Contact Form: R - Latch with 1 SPST NO Aux.

Coil Voltage: B = 28 Vdc Coil

Lead Length: A = 15.3 in. (300 mm)

Coil Terminal Connector: N = None
F = Plug on Flying Lead, 9 Pin Micro-D

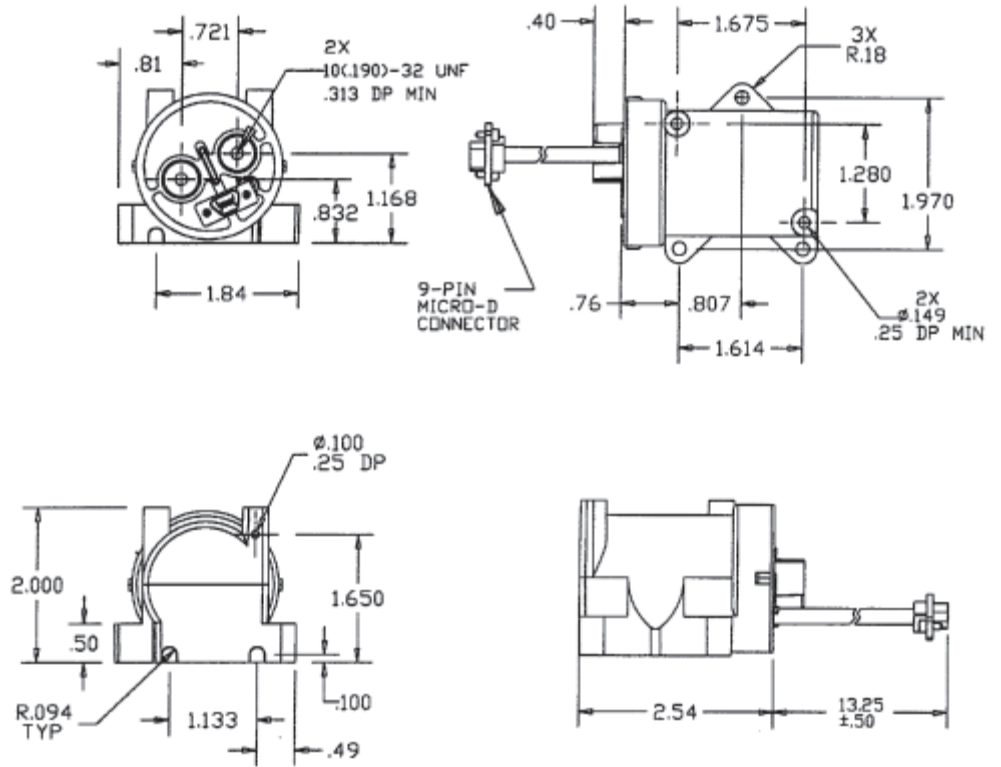
Mounting & Power Terminals
E = side mount with 2x#8
10-32 Female Power Terminals

MAP101 R B A F E

For factory-direct application assistance,
dial 800-253-4560, ext. 2055, or
805-220-2055.

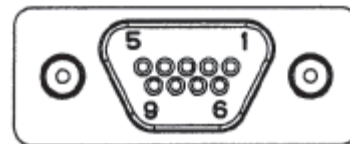
KILOVAC MAP101 Series Contactor (Continued)

Outline Dimensions



Connector Pin-Out

1	Not Connected
2	Aux. NO
3	Close Return
4	Close Return
5	+28Vdc
6	Aux. Com.
7	Open Return
8	Open Return
9	+28V



For factory-direct application assistance,
dial 800-253-4560, ext. 2055, or
805-220-2055.

**KILOVAC MAP100 Series Contactor with 1 Form A (SPST-NO)
Contacts Rated up to 100 Amps, 12-900 Vdc**

Product Facts

- Solid copper contacts designed for high current carry military aerospace, ground vehicle and naval applications
- Hermetically sealed, intrinsically safe, operates in explosive/harsh environments with no contact oxidation or contamination of coil or contacts, during long periods of non- operation
- Comes standard with 1 SPST-NO Aux. contact
- Not position sensitive, can be mounted in any orientation



Coil Data

- Coil Voltage, Nominal/ Max** — 28/ 32 Vdc
- Coil Resistance @ 25°C** —
Contacts Close Coil — 18 Ω
Contacts Open Coil — 13 Ω
- Pick Up/ Drop Out (Max)** —
16 Vdc (-55°C to +25°C)
18 Vdc (+25°C to +85°C)
- Coil Current (Max) @ 32Vdc/ -40°C** — 4.0 A
- Coil Current On Time (Minimum Required to Latch)** — 40 ms
- Main Contacts** —
Operate Time (Max) — 40 ms
Operate Bounce (Max) — 5 ms
Release Time — 25 ms
- Auxiliary Contacts Operate/ Release** — Within ± 5 ms of main

Physical Data

- Contact Arrangement** —
Main Contacts —
SPST-Latching (or NO Form X)
1X Auxiliary Contact —
SPST-NO (form A)
- Dimensions** — See drawing
- Weight, Nominal** —
0.35 Kg (12.35 oz)

Insulation Resistance —

- Terminal to Terminal/ Terminals to Coil —
100MΩ min @ 500Vdc new
50MΩ min @ 500Vdc end of life

Note:

- 1 Continuous current rating is affected by conductors attached.
- Keep terminals below 150°C max continuous.

Environmental Data

- Shock, 11ms 1/2 Sine (Operating)** — 20 G_{peak}
- Sine Vibration, 20 G_{peak}** —
55-2000 Hz
- Random Vibration, 14.06 Grms** —
15 Hz (.002 G²/Hz), 100 Hz (.002 G²/Hz),
450 Hz (.12 G²/Hz), 900 Hz (.12 G²/Hz),
2000 Hz (.083 G²/Hz)
- Operating Temperature Range** —
-55°C to +85°C

Electrical Data

- Voltage Rating** —
Main Contacts (max) — 400 Vdc
Auxiliary Contacts — 30 Vdc
- Current Rating, Continuous** —
Main Contacts ¹ — 100 A
Auxiliary Contacts — 3 A
- Contact Resistance** —
Main Contacts —
100 mΩ max @ 1 amp
0.75 mΩ max @ rated current
Auxiliary Contacts —
200 mΩ max
- Electrical Life at Rated Current, 270 Vdc, Resistive Load** —
15,000 cycles
- Mechanical Life** — 100,000 cycles
- Dielectric Withstand Voltage** —
Terminal to Terminal/ Terminals to Coil —
1mA max @ 1,300Vrms

Ordering Information

Typical Part Number ► **MAP100 R B A F E**

Series: _____
MAP100 = 100 Amp, 12-900VDC Contactor

Contact Form: _____
H = NO with 1 SPST NO Aux.
R - Latch with 1 SPST NO Aux.

Coil Voltage: _____
B = 28 Vdc Coil

Lead Length: _____
A = 15.3 in. (300 mm)

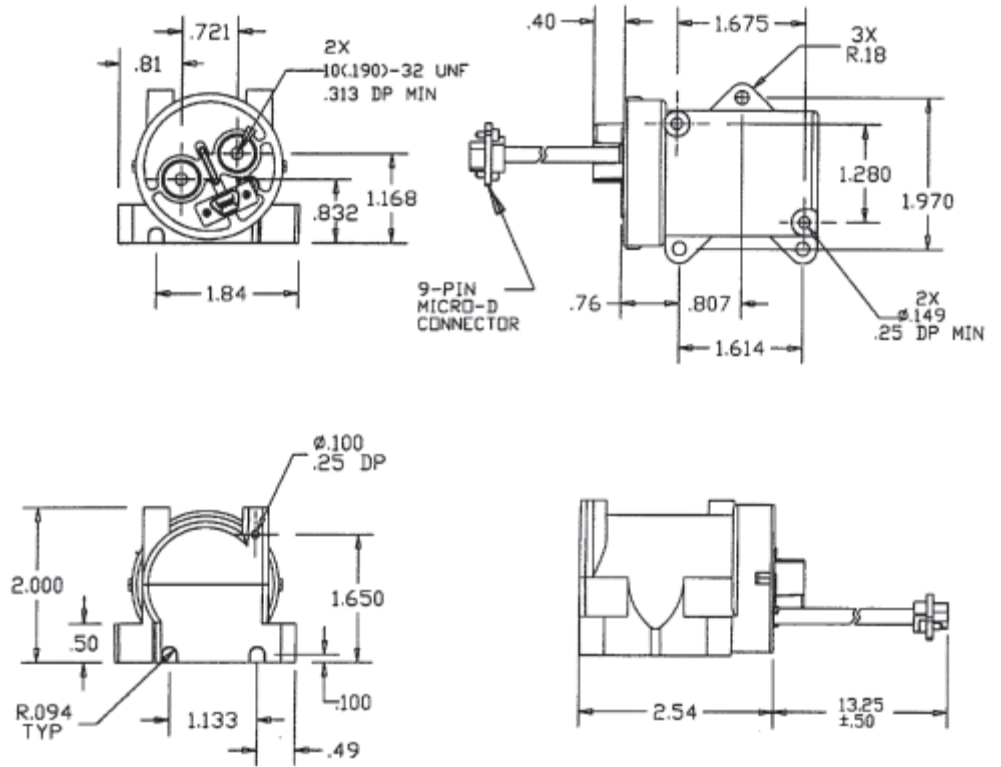
Coil Terminal Connector: _____
N = None
F = Plug on Flying Lead, 9 Pin Micro-D

Mounting & Power Terminals _____
E = side mount with 2x#8
10-32 Female Power Terminals

For factory-direct application assistance,
dial 800-253-4560, ext. 2055, or
805-220-2055.

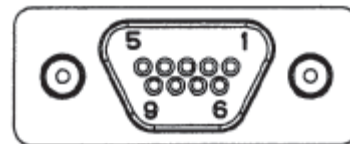
KILOVAC MAP100 Series Contactor (Continued)

Outline Dimensions



Connector Pin-Out

1	Not Connected
2	Aux. NO
3	Close Return
4	Close Return
5	+28Vdc
6	Aux. Com.
7	Open Return
8	Open Return
9	+28V



For factory-direct application assistance,
dial 800-253-4560, ext. 2055, or
805-220-2055.

**KILOVAC MAP200 Series Contactor with 1 Form A (SPST-NO)
Contacts Rated up to 500 Amps, 12-900 Vdc**

Product Facts

- Designed to be the smallest, lightest weight, lowest cost sealed contactor in the industry with its current rating for military aerospace, ground vehicle and naval, high current applications
- Built-in coil economizer (models requiring external economizer also available)
- Optional auxiliary contact for easy monitoring of power contact position
- Hermetically sealed — intrinsically safe, operates in explosive/harsh environments with no oxidation or contamination of coil or contacts, including long periods of non-operation
- Versatile coil and power connections



Performance Data

Contact Arrangement, Power Contacts — 1 Form A (SPST-NO)
Rated Operating Voltage — 12 - 900 VDC
Continuous (Carry) Current, Typical — 500 A @ 85°C, 400 mcm conductors
Consult Factory for required conductors for higher currents
Make/Break Current at Various Voltages ¹ — See graph next page
Break Current at 320VDC ¹ — 2,000 A, 1 cycle
Contact Resistance, Typ. (@200A) — 0.2 mohms
Load Life — See graph next page
Mechanical Life — 1 million cycles
Contact Arrangement, Auxiliary Contacts — 1 Form A (SPST-NO)
Aux. Contact Current, Max. — 2A @ 30VDC / 3A @ 125VAC
Aux. Contact Current, Min. — 100mA @ 8V
Aux. Contact Resistance, Max. — 0.417 ohms @ 30VDC / .150 ohms @ 125VAC
Dielectric Withstanding Voltage — 2,200 Vrms @ sea level
Insulation Resistance @ 500VDC — 100 megohms ²
Shock, 11ms 1/2 Sine, Peak, Operating — 20 G
Vibration, Sine, 50-2000Hz., Peak — 20 G
Operating Temperature — -55°C to +85°C
Weight, Nominal — .95 lb. (.43 kg)

Notes:
¹ Main power contacts
² 50 at end of life

Coil Operating Voltage (Valid Over Temperature Range)	
Voltage (Will Operate)	18-32VDC
Voltage (Max.)	32VDC
Pickup (Close) Voltage Max.	18VDC
Hold Voltage (Min.)	10VDC
Dropout (Open) Voltage (Min.)	2VDC
Inrush Current (Max.)	4.5A
Holding Current (Avg.)	0.5A
Inrush Time (Max.)	100ms

Ordering Information

Typical Part Number ▶ **MAP200 A R D E A**

Series: _____
 MAP200 = 500 Amp, 12-900VDC Contactor

Contact Form: _____
 A = Normally Open
 H = Normally Open with Aux. Contacts

Coil Voltage: _____
 R = 28 Vdc, Mechanical Economizer
 S = 28 Vdc, Electrical Cut-throat Economizer

Coil Wire Length: _____
 A = 15.3 in (390 mm)
 D = Coil connector on relay (requires option "E" or "X" in next step).

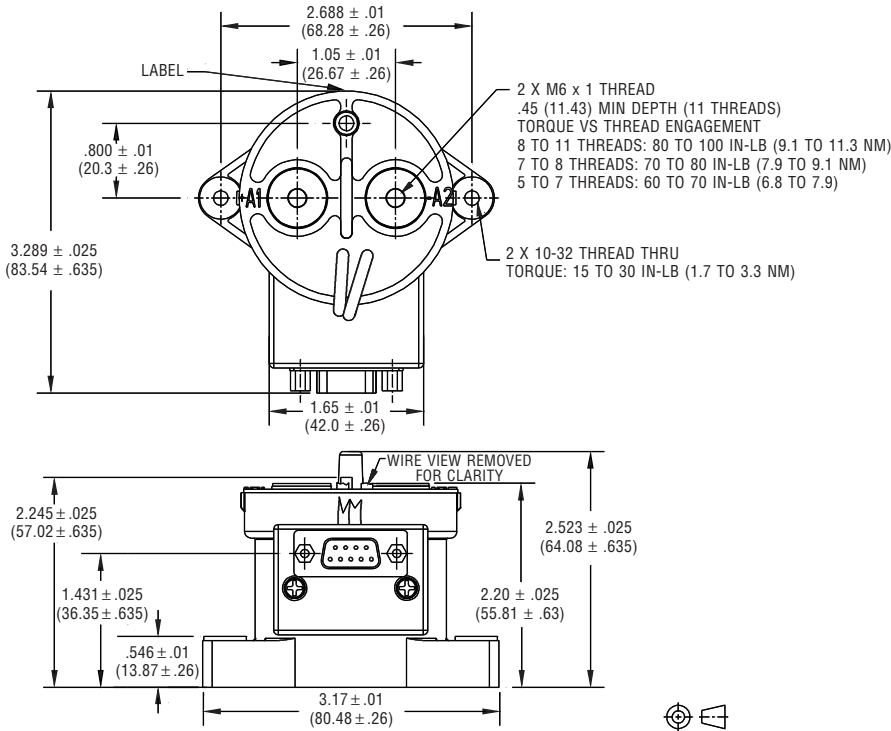
Coil Terminal Connector: _____
 N = No connector
 E = 9-pin subminiature "D" plug mounted on contactor housing
 X = Special configuration (consult factory)

Mounting & Power Terminals: _____
 A = Bottom Mount & Male M8 x 1.25 Thread Terminals
 B = Bottom Mount & Female 1/4-20 Thread Terminals
 D = Bottom Mount & Female M6 x 1 Thread Terminals

For factory-direct application assistance, dial 800-253-4560, ext. 2055, or 805-220-2055.

KILOVAC MAP200 Series (Continued)

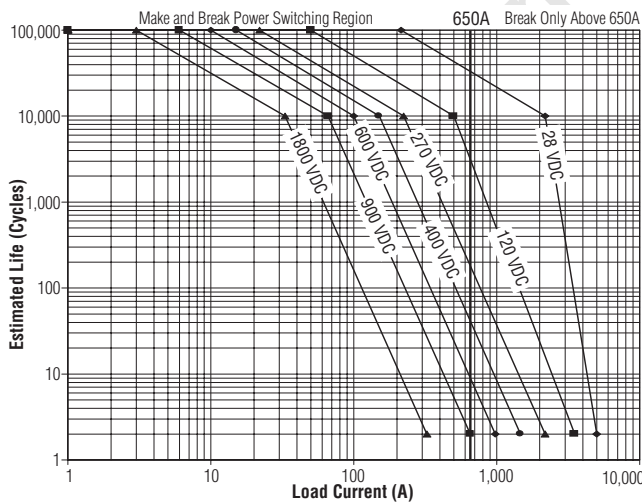
Outline Dimensions



MAP200HR D-Sub
Pin Out
Coil+ = Pin 2
Coil - = Pin 6
Aux. COM = Pin 8
Aux. NO = Pin 4

MAP200AR
Coil+ = Pin 2
Coil - = Pin 6

Estimated Make & Break Power Switching Ratings



- NOTES:**
- 1) For resistive loads with 300H maximum inductance. Consult factory for inductive loads.
 - 2) Estimates based on extrapolated data. User is encouraged to confirm performance in application.
 - 3) End of life when dielectric strength between terminals falls below 50 megohms @ 500VDC.
 - 4) The maximum make current is 650A to avoid contact welding.

For factory-direct application assistance,
dial 800-253-4560, ext. 2055, or
805-220-2055.

**KILOVAC MAP201 Series Contactor with 2 Form A (SPST-NO)
Contacts Rated up to 350 Amps, 12-900 Vdc Dual Contact Material (Cu/Mo)**

Product Facts

- Designed to be the smallest, lightest weight, lowest cost sealed contactor in the industry with its current rating for military aerospace
- Built-in coil economizer (models requiring external economizer also available)
- Optional auxiliary contact for easy monitoring of power contact position
- Hermetically sealed — intrinsically safe, operates in explosive/harsh environments with no oxidation or contamination of coil or contacts, including long periods of non-operation
- Versatile coil and power connections



Physical Data

Contact Arrangement —
Power Contacts —
SPST-NO (form X)
2X Auxiliary Contacts 1 —
SPST-NO (form A)
Dimensions — See drawing
Weight, Nominal — 0.45 Kg (0.99 lb)

Environmental Data

Shock, 11ms 1/2 Sine (Operating) — 20 G_{peak}
Sine Vibration, 20 G_{peak} —
55-2000 Hz
Random Vibration, 14.06 Grms —
15 Hz (.002 G²/Hz), 100 Hz (.002 G²/Hz),
450 Hz (.12 G²/Hz), 900 Hz (.12 G²/Hz),
2000 Hz (.083 G²/Hz)
Operating Temperature Range —
-55°C to +85°C

Electrical Data

Voltage Rating —
Main Contacts (max) — 400 Vdc
Auxiliary Contacts — 30 Vdc
Current Rating, Continuous —
Main Contacts 2 — 300 A
Auxiliary Contacts — 3 A
Contact Resistance —
Main Contacts 3 —
100 mΩ max @ 1 amp
0.3 mΩ max @ rated current
Auxiliary Contacts —
200 mΩ max
Hot Switching Performance (Polarity Sensitive) —
600A make/ 265A break @ ± 270Vdc —
11,000 cycles
550A make/ break @ ± 360Vdc —
100 cycles
2000A capacitive make — 100 cycles
2000A make/ break @ +360Vdc —
5 cycles
1000A make/ break @ -360Vdc —
2 cycles
Mechanical Life — 100,000 cycles
Dielectric Withstand Voltage —
Terminal to Terminal/ Terminals to Coil —
1mA max @ 2,200Vrms

Coil Data

Coil Voltage, Nominal/ Max —
28/ 32 Vdc
Pick Up (Max) — 16 Vdc
Inrush Current @ 28Vdc (Max) —
3.5 A
Inrush Time (Max) — 100 ms
Hold Current (Max) — 0.32 A
Drop Out — 4 to 10 Vdc
Main Contacts —
Operate Time (Max) — 18 ms
Operate Bounce (Max) — 5 ms
Release Time — 18 ms
Auxiliary Contacts Operate/Release — Within ± 5 ms of main

Insulation Resistance —

Terminal to Terminal/ Terminals to Coil —
100MΩ min @ 500Vdc

Notes:

- 1 Two form A available with electronic coil economizer, 1 form A available with mechanical coil economizer
- 2 Continuous current rating is affected by conductors attached. Keep terminals below 150°C max continuous, 175C for 1 hour max, and 200C for 1 minute max.
- 3 Initial contact resistance may be higher than 0.3mΩ, but will drop below within 30 minutes maximum

Ordering Information

Typical Part Number ► **MAP201 A R D E A**

Series: _____
MAP201 = 350 Amp, 12-900VDC Contactor

Contact Form: _____
A = Normally Open
H = Normally Open with Aux. Contacts

Coil Voltage: _____
R = 28 Vdc, Mechanical Economizer
S = 28 Vdc, Electrical Cut-throat Economizer

Coil Wire Length: _____
A = 15.3 in (390 mm)
D = Coil connector on relay (requires option "E" or "X" in next step).

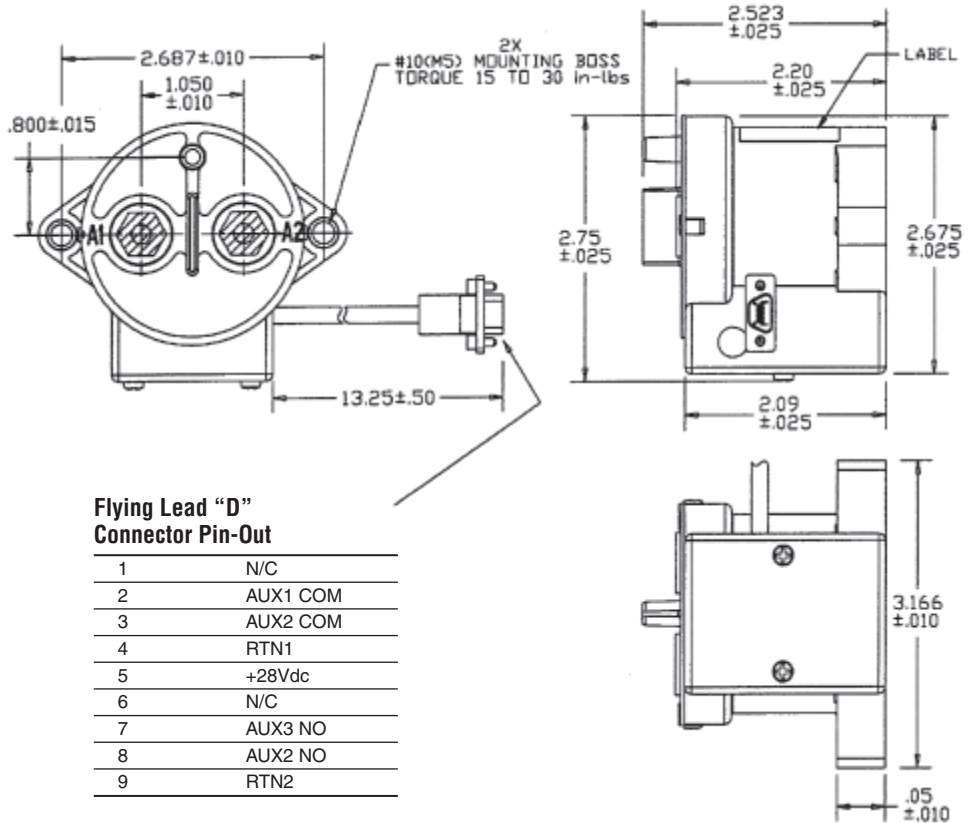
Coil Terminal Connector: _____
N = No connector
E = 9-pin subminiature "D" plug mounted on contactor housing
X = Special configuration (consult factory)

Mounting & Power Terminals: _____
A = Bottom Mount & Male M8 x 1.25 Thread Terminals
B = Bottom Mount & Female 1/4-20 Thread Terminals
D = Bottom Mount & Female M6 x 1 Thread Terminals

For factory-direct application assistance, dial 800-253-4560, ext. 2055, or 805-220-2055.

KILOVAC MAP201 Series Contactor (Continued)

Outline Dimensions*



Flying Lead "D" Connector Pin-Out

1	N/C
2	AUX1 COM
3	AUX2 COM
4	RTN1
5	+28Vdc
6	N/C
7	AUX3 NO
8	AUX2 NO
9	RTN2

MAP200HR D-Sub Pin Out

Coil+ = Pin 2
Coil - = Pin 6
Aux. COM = Pin 8
Aux. NO = Pin 4

MAP200AR

Coil+ = Pin 2
Coil - = Pin 6

***Alternate coil and main terminal connections available, consult factory.**

For factory-direct application assistance, dial 800-253-4560, ext. 2055, or 805-220-2055.

KILOVAC CAP202 Series Aerospace Commercial Contactor with 2 Form X (DPST-NO), Contacts Rated up to 300 Amps, 12-600 Vdc

Product Facts

- Designed to be the smallest, lightest weight, lowest cost High Voltage DC contactor with its power ratings
- Not sensitive to power connection polarity
- Built-in electronic coil economizer (other types possible for special applications)
- Up to 4 optional auxiliary contacts, each with three optional configurations: SPTST-NO, SPST-NC and SPDT
- Hermetically sealed-intrinsically safe, operates in explosive/harsh environments with no oxidation or contamination of coil or contacts, including long periods of non-operation
- Versatile coil and power connections



Coil Operating Voltage	
Voltage/Nominal Max.	28-32VDC
Pickup Voltage Max.	18VDC
Inrush Current (Max.) @ 28 Vdc	4.0A
Inrush Time (Max.)	150ms
Hold Current (Max.)	0.35A
Drop Out	4 to 8 Vdc
Main Contacts: Operate Time (max.)	25 mS
Main Contacts: Operate Bounce (max.)	10 mS
Main Contacts: Release time	15 mS
Auxiliary Contacts Operate/Release	Within ± 5mS

Ordering Information

Typical Part Number ► **CAP202 A A A N A**

Series: _____
CAP202 = 500 Amp, 12-900VDC Contactor

Contact Form: _____
A = Normally Open
M = Normally Open with Aux. Contacts Config

Coil Voltage: _____
S = 28 Vdc Coil with Mechanical Dual Coil Economizer

Coil Wire Length: _____
A = 15.3 in (390 mm)
B = 6.0 in (152 mm)

Coil Terminal Connector: _____
N = None
E = 9-pin subminiature "D" plug mounted on contactor housing
F = 9-pin subminiature "D" plug mounted on 15.3 in (390 mm) flying leads.
X = Special configuration (consult factory)

Mounting & Power Terminals: _____
A = Bottom Mount & Female
M6 x 1.0 2X M5

Performance Data

- Contact Arrangement, Power Contacts** — DPST-NO Form X
Mechanical Life — 100,000 cycles
Voltage Rating —
Main Contacts (max) — 600 Vdc
Auxiliary Contacts — 30 Vdc
Current Rating, Continuous —
Main Contacts 1 — 300 A
Auxiliary Contacts — 3 A
Contact Resistance —
Main Contacts —
100 mΩ max @ 1 amp
0.3 mΩ max @ rated current²
Auxiliary Contacts —
200 mΩ max
Hot Switching Performance (Bi-Polarity) —
100A make break @ ± 270Vdc —
50,000 cycles
250A make/ break @ ± 270Vdc —
1000 cycles
690A make/ break @ ± 360Vdc —
10 cycles
Mechanical Life — 100,000 cycles
Dielectric Withstand Voltage —
Terminal to Terminal/ Terminals to Coil —
1mA max @ 2,200Vrms
Insulation Resistance —
Terminal to Terminal/ Terminals to Coil —
100MΩ min @ 500Vdc
Shock, 11ms 1/2 Sine, Peak, Operating — 20 G
Vibration, Sine, 55-2000Hz., Peak — 20 G
Operating Temperature —
-55°C to +85°C
Weight, Nominal — 1.59 lb. (72 kg)

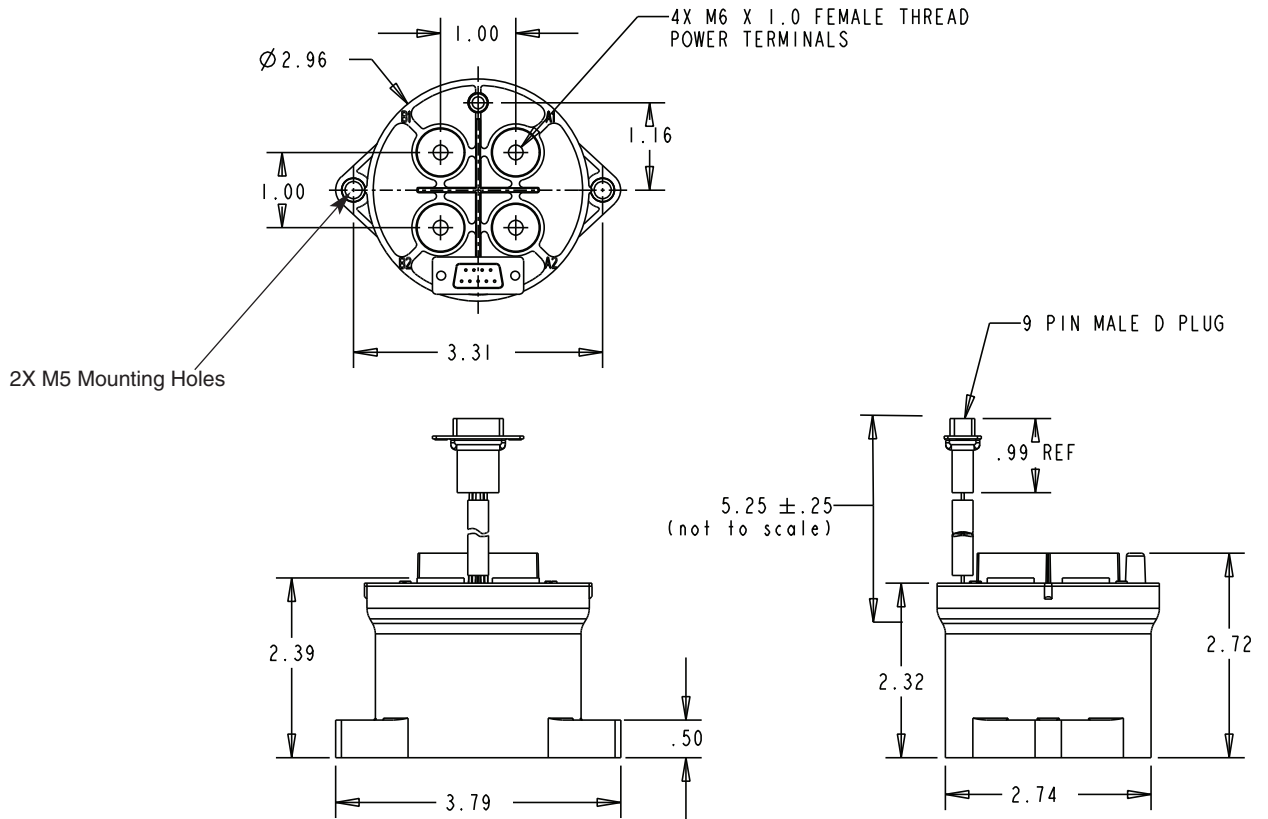
Notes:

- ¹ Continuous current rating is affected by conductors attached. Keep terminals below 150°C continuous, 175°C for 1 hour max. and 200°C for 1 min. max.
- ² Initial contact resistance may be higher than 0.3 mΩ, but will drop below within 30 minutes max.

For factory-direct application assistance, dial 800-253-4560, ext. 2055, or 805-220-2055.

KILOVAC CAP202 Series Aerospace Commercial Contactor (Continued)

Outline Dimensions*



onlinec

7
KILOVAC High Voltage
DC Contactors

For factory-direct application assistance,
dial 800-253-4560, ext. 2055, or
805-220-2055.

**KILOVAC CAP200 Series Contactor with 1 Form A (SPST-NO)
Contacts Rated up to 500 Amps, 12-900 Vdc**

Product Facts

- Designed to be the smallest, lightest weight, lowest cost sealed contactor in the industry with its current rating
- Built-in coil economizer — only 1.7W hold power @ 12VDC and it limits back EMF to 0V. (models requiring external economizer also available)
- Optional auxiliary contact for easy monitoring of power contact position
- Hermetically sealed — intrinsically safe, operates in explosive/harsh environments with no oxidation or contamination of coil or contacts, including long periods of non-operation
- Versatile coil and power connections



Coil Operating Voltage (Valid Over Temperature Range)			
Voltage (Will Operate)	9-36VDC	32-95VDC	48-95VDC
Voltage (Max.)	36VDC	95VDC	95VDC
Pickup (Close) Voltage Max.	9VDC	32VDC	48VDC
Hold Voltage (Min.)	7.5VDC	22VDC	34VDC
Dropout (Open) Voltage (Min.)	6VDC	18VDC	27VDC
Inrush Current (Max.)	3.8A	1.3A	0.7A
Holding Current (Avg.)	0.13A@12V, 0.07A@24V	0.03A@48V	0.02A@72V
Inrush Time (Max.)	130ms	130ms	130ms

Ordering Information

Typical Part Number ►

CAP200 A A A N A

Series: CAP200 = 500 Amp, 12-900VDC Contactor

Contact Form: A = Normally Open
H = Normally Open with Aux. Contacts

Coil Voltage: A = 9-36VDC (1 = requires external coil economizer)
D = 32-95VDC (2 = requires external coil economizer)
J = 48-95VDC (3 = requires external coil economizer)
R = 28 Vdc with mechanical economizer

Coil Wire Length: A = 15.3 in (390 mm)
D = Coil connector on relay (requires option "E" or "X" in next step)

Coil Terminal Connector: N = None
E = 9-pin subminiature "D" plug mounted on contactor housing
F = 9-pin subminiature "D" plug mounted on 15.3 in (390 mm) flying leads.
X = Special configuration (consult factory)

Mounting & Power Terminals: A = Bottom Mount & Male 10mm x 8 Terminals

Performance Data

Contact Arrangement, Power Contacts — 1 Form A (SPST-NO)

Rated Operating Voltage — 12 - 900 VDC

Continuous (Carry) Current, Typical — 500 A @ 85°C, 400 mcm conductors

Consult Factory for required conductors for higher currents

Make/Break Current at Various Voltages ¹ — See graph next page

Break Current at 320VDC ¹ — 2,000 A, 1 cycle ³

Contact Resistance, Typ. (@200A) — 0.2 mohms

Load Life — See graph next page

Mechanical Life — 1 million cycles

Contact Arrangement, Auxiliary Contacts — 1 Form A (SPST-NO)

Aux. Contact Current, Max. — 2A @ 30VDC / 3A @ 125VAC

Aux. Contact Current, Min. — 100mA @ 8V

Aux. Contact Resistance, Max. — 0.417 ohms @ 30VDC / .150 ohms @ 125VAC

Dielectric Withstanding Voltage — 2,200 Vrms @ sea level

Insulation Resistance @ 500VDC — 100 megohms ²

Shock, 11ms 1/2 Sine, Peak, Operating — 20 G

Vibration, Sine, 80-2000Hz., Peak — 20 G

Operating Temperature — -40°C to +85°C

Weight, Nominal — .95 lb. (.43 kg)

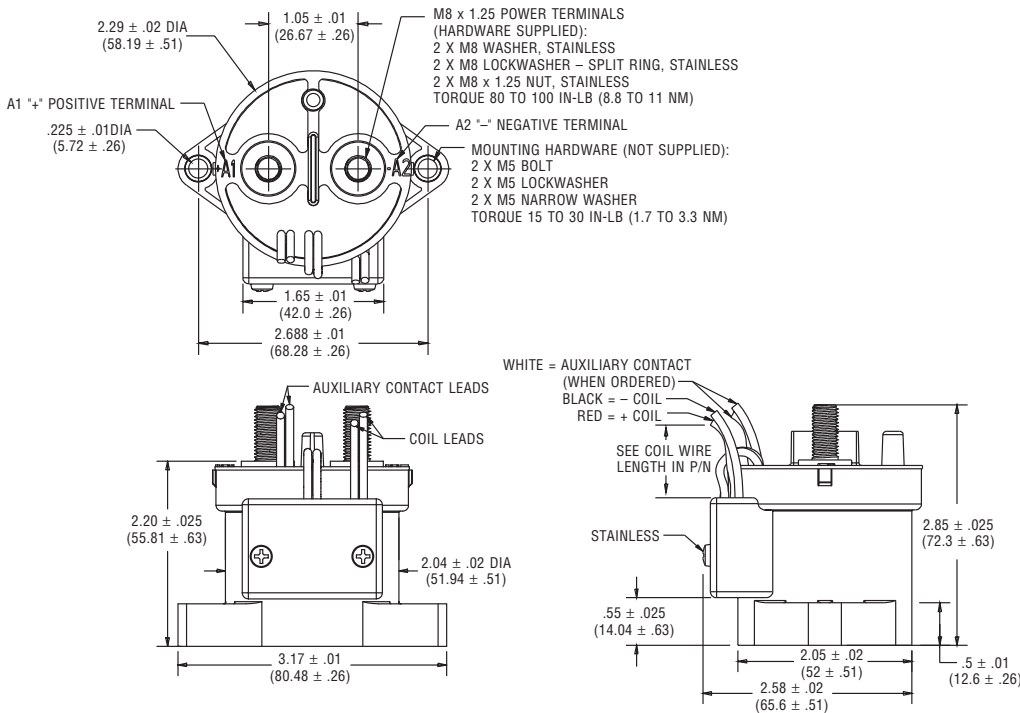
Notes:

- ¹ Main power contacts
- ² 50 at end of life
- ³ Does not meet dielectric & IR after test, 1700 amp for unit with Aux. Contacts

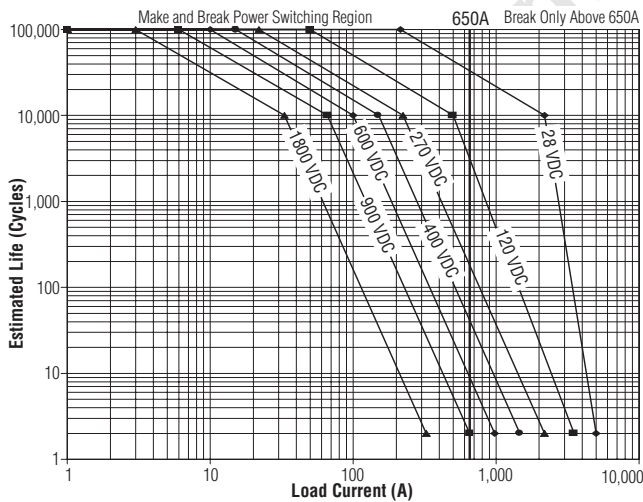
For factory-direct application assistance, dial 800-253-4560, ext. 2055, or 805-220-2055.

KILOVAC CAP200 Series (Continued)

Outline Dimensions



Estimated Make & Break Power Switching Ratings



NOTES:

- 1) For resistive loads with 300H maximum inductance. Consult factory for inductive loads.
- 2) Estimates based on extrapolated data. User is encouraged to confirm performance in application.
- 3) End of life when dielectric strength between terminals falls below 50 megohms @ 500VDC.
- 4) The maximum make current is 650A to avoid contact welding.

For factory-direct application assistance,
dial 800-253-4560, ext. 2055, or
805-220-2055.

KILOVAC CAP100 Series 900 Vdc Contactor

Product Facts

- Commercial aerospace product
- Hermetically sealed — intrinsically safe. Operates in explosive/harsh environments without oxidation or contamination of contacts, during long periods of non-operation
- 8kV isolation between open contacts permits use for high voltage isolation and carry, optional auxiliary contacts
- 12, 24 and 48 Vdc coils
- Solid copper contacts
- Designed and built in accordance to AIAG QS9000



Description

Lowest cost, 900 Vdc 100 amp, hermetically sealed DC contactor in the industry with coil suppression and 1 Form C Aux. contact

Compact package available in side- or bottom-mount reinforced configurations, not position sensitive

Applications

Power/motor control circuit isolation, circuit protection and power distribution

Commercial Aerospace

Mechanical

Compact epoxy-sealed resin enclosure occupies only about 4 in³ (65.5 cm³)

Robust integral mounting plate on either bottom or side of enclosure accepts two M4 screws

Inert gas filled contact chamber

Flying leads for coil connections

Load terminals threaded for M5 bolts (not included)

Performance Data

Physical Data

Contact Arrangement, Main Contacts — SPST-NO-DM (1 Form X)
Dimensions — See drawings on next page

Weight — 6.7 oz (190g)

Contact Data

Contact Arrangement, Main Contacts — SPST-NO-DM (1 Form X)

Voltage Rating, Main Contacts Switching (Max) — 900VDC

Current Rating, Main Contacts Switching —

Continuous 1 — 100A
Short Term, 3 Minutes 2 — 200A

Hot Switching Performance (Polarity Sensitive) —

50A make/break @ +400Vdc — 50,000 cycles
100A make/break @ +400Vdc — 6,000 cycles
100A make/break @ -400Vdc — 1,000 cycles
200A make/break @ +400Vdc — 500 cycles
1,000A break only @ +400Vdc — 10 cycles
600A make only — 25 cycles

Maximum Short Circuit Current (1/2 cycle, 60 Hz) — 1,250A (through closed contacts)

Dielectric Withstand Voltage 3 —
Between Open Contacts — 5,600Vrms/8,000Vdc
Contacts to Coil — 2,000Vrms/4,000Vdc

Insulation Resistance, Terminal to Terminal / Terminals to Coil —

When New — 100 megohms, min. @ 500Vdc
At End of Life — 50 megohms, min. @ 500Vdc

Mechanical Life — 1 million cycles

Operate & Release Time

Operate Time Max. — 25ms
Operate Bounce Max. — 5ms
Release Time — 10ms

Environmental Data

Shock, 11ms 1/2 sine (operating) — 20G peak

Sine Vibration, 20G peak — 55-2,000 Hz.

Operating Temperature Range — -55°C to +85°C

Noise Emission (at 100 mm distance) — 70dB(a)

Notes

- 1 8.4 mm² conductor. Current rating depends upon conductor size. Keep terminals below 175°C max continuous.
- 2 3 minutes at +40°C ambient with 8.4 mm² (#8 AWG) conductor.
- 3 2,000Vrms minimum under all conditions, until end of life.

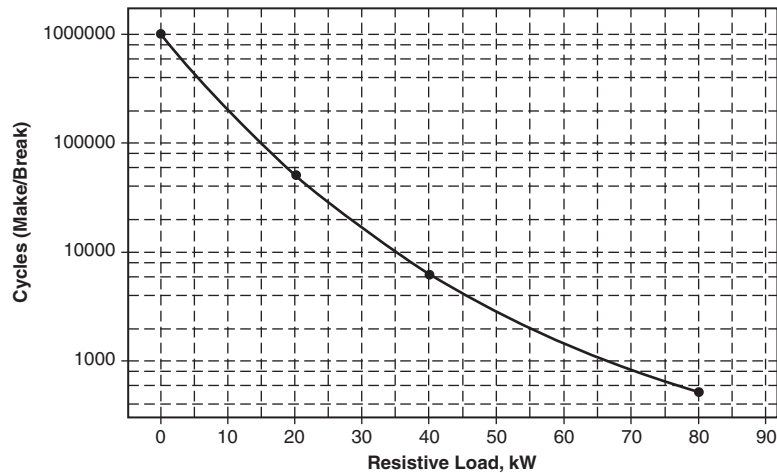
For factory-direct application assistance, dial 800-253-4560, ext. 2055, or 805-220-2055.

KILOVAC CAP100 Series (Continued)

Coil Operating Voltage (Valid Over Temperature Range)			
Nominal Voltage	12Vdc	24Vdc	48Vdc
Pick Up Voltage (20°C)	8Vdc	16Vdc	33Vdc
Drop Out Voltage (20°C)	1.2Vdc	2.4Vdc	4.8Vdc
Coil Current (Nominal at 20°C, 12vdc)	461mA	250mA	122mA
Coil Power ¹			
Nominal @ Vnom, +20°C	5.5W	6.0W	6.0W
Pickup (Close)			
Voltage Max. @85°C	9.6Vdc	19.2Vdc	38.4Vdc
Coil Resistance			
Nominal @ +20°C ± 5% (ohms)	26	96	392

¹ Do not exceed 8.0W coil power for extended periods

Life Cycles vs Resistive Load up to 900Vdc



Ordering Information

Typical Part Number ►

CAP100 A 4 A N G

Series:

CAP100 = 100A Contactor

Contact Arrangement:

A = 1 Form X (SPST-NO-DM)

K = NO with 1 SPDT Aux.

Coil Voltage:

4 = 12VDC

5 = 24VDC

6 = 48VDC

Coil Wire Length:

A = 15 inches [.4M]

Coil Termination:

N = None – Stripped Wires

(Consult factory for connector options)

Mounting and Power Terminals:

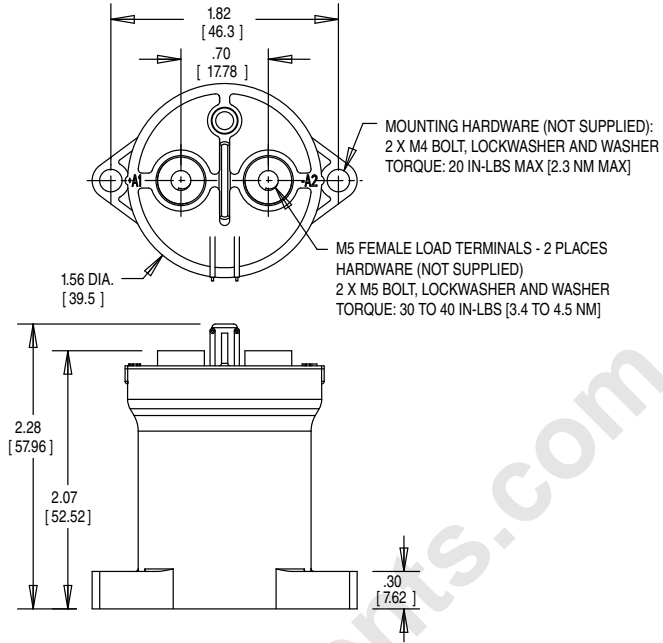
G = Bottom Mount (2 x #8); M5 x 10

H = Side Mount (2 x #8); M5 x 10

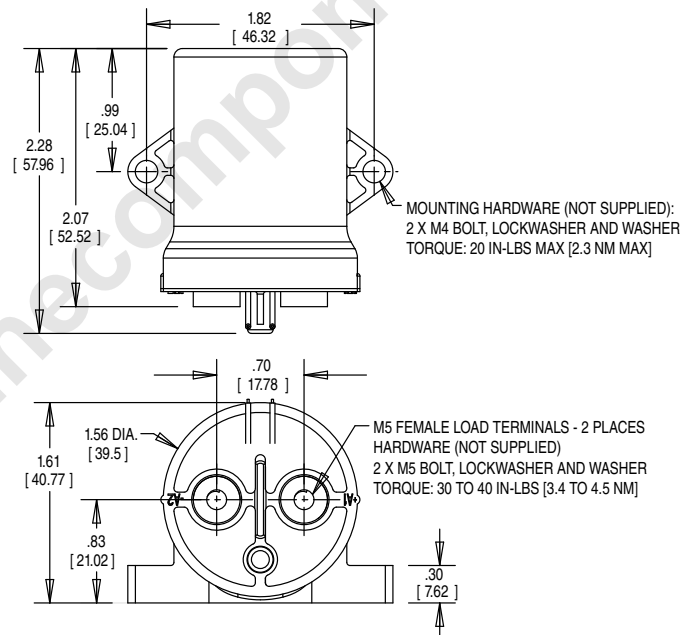
For factory-direct application assistance,
dial 800-253-4560, ext. 2055, or
805-220-2055.

KILOVAC CAP100 Series (Continued)

Bottom Mount



Side Mount



For factory-direct application assistance,
dial 800-253-4560, ext. 2055, or
805-220-2055.

**KILOVAC EV200 Series Contactor With 1 Form X (SPST-NO)
Contacts Rated 500+ Amps, 12-900 Vdc**

Product Facts

- Designed to be the smallest, lightest weight, lowest cost sealed contactor in the industry with its current rating (500+A carry, 2000A interrupt at 320VDC)
- Built-in coil economizer — only 1.7W hold power @ 12VDC and it limits back EMF to 0V. Models requiring external economizer also available
- Optional auxiliary contact for easy monitoring of power contact position
- Hermetically sealed — intrinsically safe, operates in explosive/harsh environments with no oxidation or contamination of coil or contacts, during long periods of non-operation
- Versatile coil/power connections
- UL Recognized for the U.S. and Canada (File E208033) All contact ratings & coil versions may not be UL Recognized
- CE marked for EC applications
- AIAG QS9000 designed, built and approved



EV200 Series Contactor (CZONKA Relay, Type III)

Coil Operating Voltage (Valid Over Temperature Range)			
Voltage (Will Operate)	9-36VDC	32-95VDC	48-95VDC
Voltage (Max.)	36VDC	95VDC	95VDC
Pickup (Close) Voltage Max.	9VDC	32VDC	48VDC
Hold Voltage (Min.)	7.5VDC	22VDC	34VDC
Dropout (Open) Voltage (Min.)	6VDC	18VDC	27VDC
Inrush Current (Max.)	3.8A	1.3A	0.7A
Holding Current (Avg.)	0.13A@12V, 0.07A@24V	0.03A@48V	0.02A@72V
Inrush Time (Max.)	130ms	130ms	130ms

Ordering Information

Typical Part Number ▶

EV200 A A A N A

Series: _____
EV200 = 500+ Amp, 12-900VDC Contactor

Contact Form: _____
A = Normally Open
H = Normally Open with NO Aux. Contacts
G = Normally Open with NC Aux. Contacts

Coil Voltage: _____
A = 9-36VDC (1 = requires external coil economizer)
D = 32-95VDC (2 = requires external coil economizer)
J = 48-95VDC (3 = requires external coil economizer)
R = 28VDC with Mechanical Economizer

Coil Wire Length: _____
A = 15.3 in (390 mm)

Coil Terminal Connector: _____
N = None
C = Molex Mini-fit Jr, 2 Skt, Female 18-24,
P/N 39-01-2020 & 39-00-0060 +red is pin 1
(A length only)

Mounting & Power Terminals: _____
A = Bottom Mount & Male 10mm x M8 Terminals

Performance Data

Contact Arrangement, Power Contacts — 1 Form A (SPST-NO)

Rated Operating Voltage — 12 - 900 VDC

Continuous (Carry) Current, Typical — 500 A @ 85°C, 400 mcm conductors
Consult Factory for required conductors for higher (500+ A) currents

Make/Break Current at Various Voltages ¹ — See graph next page

Break Current at 320VDC ¹ — 2,000 A, 1 cycle ³

Contact Resistance, Typ. (@200A) — 0.2 mohms

Load Life — See graph next page

Mechanical Life — 1 million cycles

Contact Arrangement, Auxiliary Contacts — 1 Form A (SPST-NO)

Aux. Contact Current, Max. — 2A @ 30VDC / 3A @ 125VAC

Aux. Contact Current, Min. — 100mA @ 8V

Aux. Contact Resistance, Max. — 0.417 ohms @ 30VDC / .150 ohms @ 125VAC

Operate Time @ 25°C — Close (includes bounce), Typ. — 15 ms
Bounce (after close only), Max. — 7 ms
Release (includes arcing), Max @ 2000A — 12 ms

Dielectric Withstanding Voltage — 2,200 Vrms @ sea level (leakage <1mA)

Insulation Resistance @ 500VDC — 100 megohms ²

Shock, 11ms 1/2 Sine, Peak, Operating — 20 G

Vibration, Sine, 80-2000Hz., Peak — 20 G

Operating Ambient Temperature — -40°C to +85°C

Weight, Nominal — .95 lb. (.43 kg)

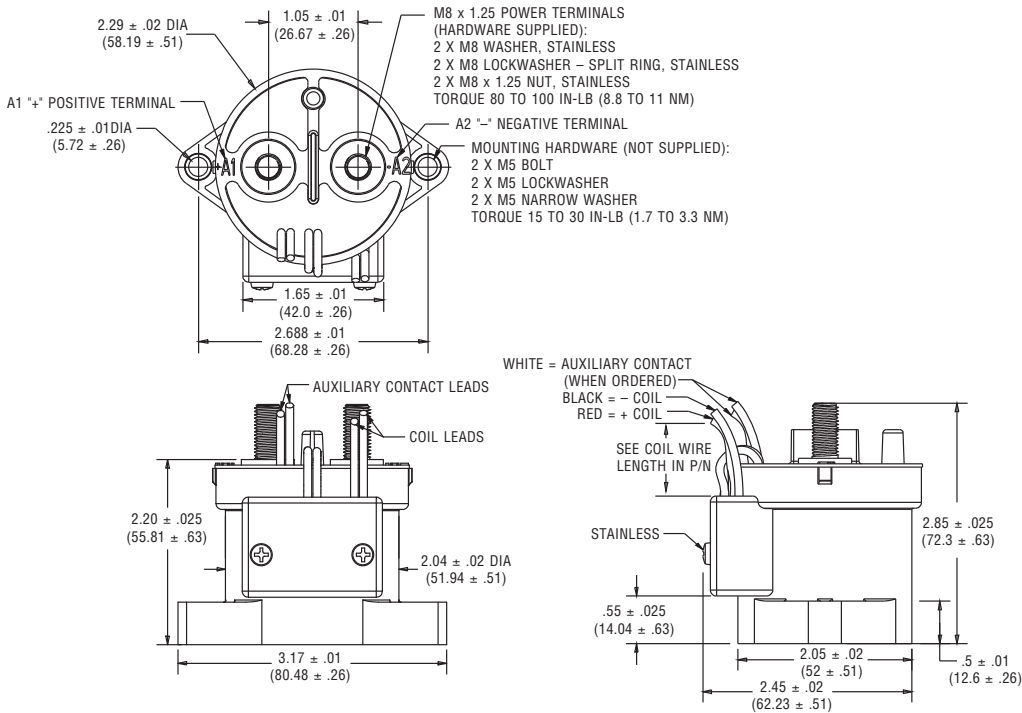
Notes:

- ¹ Main power contacts
- ² 50 at end of life
- ³ Does not meet dielectric & IR after test, 1700 amp for unit with Aux. Contacts

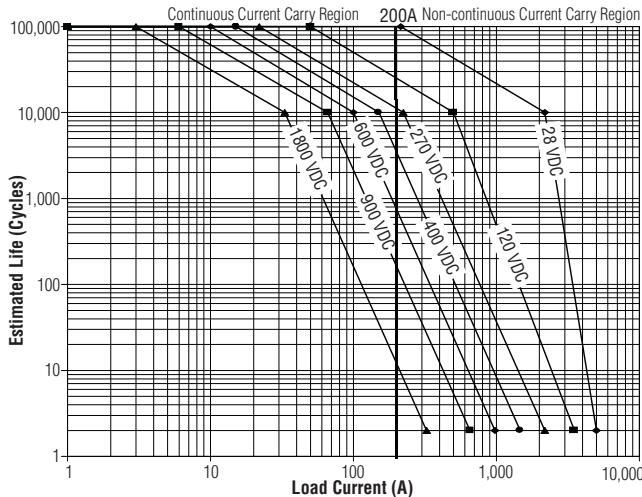
For factory-direct application assistance, dial 800-253-4560, ext. 2055, or 805-220-2055.

KILOVAC EV200 Series (CZONKA Relay, Type III) (Continued)

Outline Dimensions



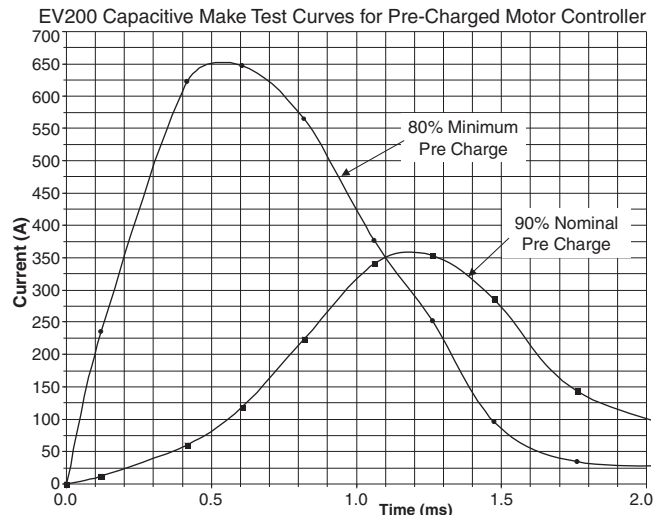
Estimated Make & Break Power Switching Ratings



NOTES:

- 1) For resistive loads with 300 millih maximum inductance
- 2) Estimates based on extrapolated data. User is encouraged to verify rating in actual application.
- 3) End of life when dielectric strength between terminals falls below 50 megohms @ 500VDC.
- 4) The maximum contact make and break power is estimated at 208KW. Break only above 208KW to avoid contact welding.

For factory-direct application assistance,
dial 800-253-4560, ext. 2055, or
805-220-2055.



**KILOVAC EV200B Series Contactor With 1 Form Y (SPST-NC)
Contacts Rated 500+ Amps, 12-900 Vdc**

Product Facts

- Normally closed version of popular EV200 series contactors
- Designed to be the smallest, lowest cost, lightest weight sealed contactor in the industry at its current rating
- Optional auxiliary contacts for monitoring position of power contacts
- Hermetically sealed — operates in explosive/harsh environments with no oxidation or contamination of coil or contacts during long periods of non-operation
- Not position sensitive, can be mounted in any orientation



Dropout (Min) — 4/9 Vdc
Pickup Current, Peak ⁶ @ 25°C — 6 A
Operate Specs @ 25°C —
 Operate Time (Typ) — 15 ms
 Operate Bounce (Max) — 5 ms
 Release Time (Typ) — 15 ms
Economizer Operating Frequency — 18 kHz
Hold Current —
 0.9A/12 Vdc
 0.3A/24 Vdc

- Notes:**
- ¹ Ambient conditions and conductor design affect rating. Terminal temperature rise should be 75°C max above ambient. Keep relay terminals below 150°C max continuous, 175°C max for two hours, and 200°C for 1 minute.
 - ² Stabilized reading. Contact resistance may exceed spec in the first 10 minutes of current carry.
 - ³ Units are polarity sensitive. Approximately 50% de-rating for reverse polarity switching. Consult factory for review of specific requirements.
 - ⁴ Over temperature range unless noted.
 - ⁵ Voltage ranged sensed by contactor 10 ms after application of source voltage.
 - ⁶ Pickup duration 100 ms.

Physical Data

Contact Arrangements —
 Main Contacts — SPST, Normally Closed
Dimensions — See drawing
Weight, Nominal — .95 lb. (.43 kg)

Environmental Data

Shock, 11ms 1/2 Sine (Operating) — 30 G_{peak} (Closed)
 10 G_{peak} (Open)
Sine Vibration, 10 G_{peak} —
 55-2000 Hz
Random Vibration, 7.1 Grms —
 15 Hz (.001 G²/Hz), 100 Hz (.04 G²/Hz),
 1000 Hz (.04 G²/Hz), 1500 Hz (.02 G²/Hz)
Operating Temperature Range —
 -40°C to +85°C

Electrical Data

Voltage Rating —
 Main Contacts (Max) — 750 Vdc
Current Rating, Continuous —
 Main Contacts ¹ — 500A
Contact Resistance —
 Main Contacts ² —
 0.2 mΩ max above 300A
 0.3 mΩ max between 50 and 300A
Hot Switching Performance (Positive Polarity) ³ —
 200A make/ break @ 270Vdc —
 10,000 cycles
 600A make/ break @ 360Vdc —
 100 cycles
 800A break only @ 360Vdc —
 15 cycles
 1500A break only @ 360Vdc — 1 cycle
Mechanical Life (Min) —
 100,000 cycles
Dielectric Withstand Voltage —
 Terminal to Terminal/ Terminals to Coil —
 1mA max @ 2,200 Vrms

Insulation Resistance —

Terminal to Terminal/ Terminals to Coil —
 100MΩ min @ 500Vdc new
 50MΩ min @ 500Vdc end of life

Coil Data ⁴

Nominal Coil Voltage ⁵ —
 Low range — 9.6-14 Vdc
 High range — 19-28 Vdc
Pick Up (Max) @ 25°C —
 9.6/18.5 Vdc
Pick Up @ Max Coil Temperature —
 10.5/22 Vdc
Hold (Min) — 6/12 Vdc

Ordering Information

Typical Part Number ▶ **EV200 B A A N A**

Series: _____
 EV200 = 500+ Amp, 12-900VDC Contactor

Contact Form: _____
 B = Normally Closed
 D = Normally Closed, 1 SPDT Aux.

Coil Voltage (with Economizer): _____
 A = 12/24 Vdc

Coil Terminals: _____
 A = 15.3 in. (300 mm)

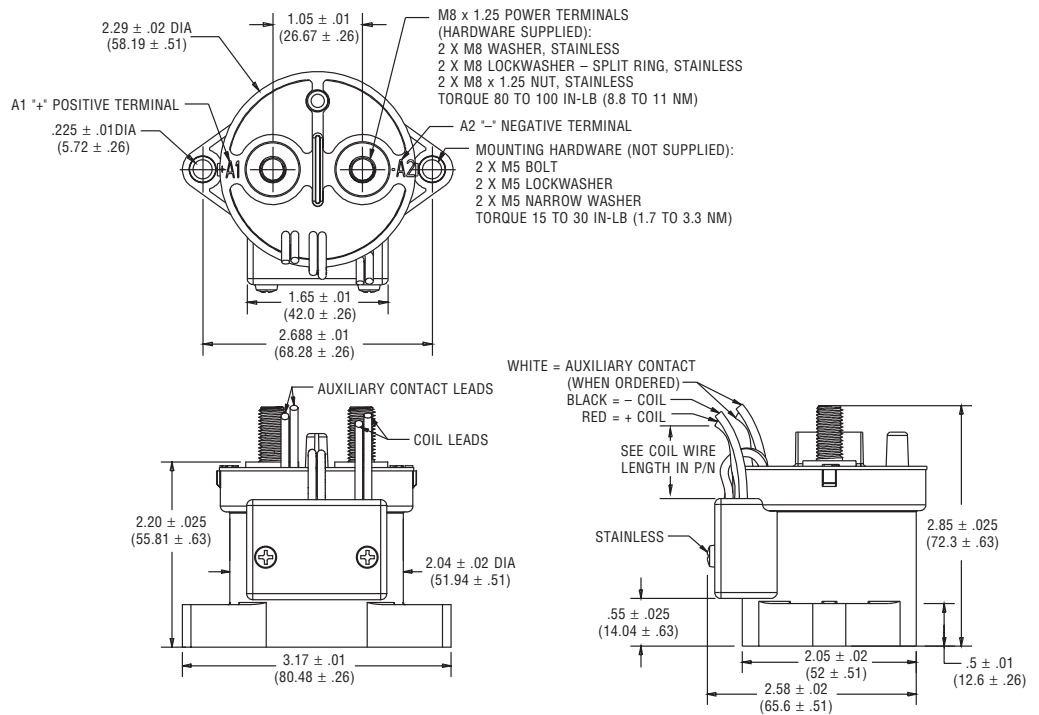
Coil Terminal Connector: _____
 N = None

Mounting & Power Terminations: _____
 A = Bottom Mount & Male 10 Max. M8 Threaded Terminals

For factory-direct application assistance, dial 800-253-4560, ext. 2055, or 805-220-2055.

KILOVAC EV200B Series Contactor (Continued)

Outline Dimensions



onlinecomponents.com

For factory-direct application assistance,
 dial 800-253-4560, ext. 2055, or
 805-220-2055.

**KILOVAC EV200P Series Latching Contactor With 1 Form X (SPST Latch)
Contacts Rated 500+ Amps, 12-900 Vdc**

Product Facts

- Latching version of popular EV200 Series
- Designed to be the smallest, lowest cost, lightest weight sealed contactor in the industry at its current rating
- Optional auxiliary contacts for monitoring position of power contacts
- Hermetically sealed — operates in explosive/harsh environments with no oxidation or contamination of coil or contacts during long periods of non-operation
- Not position sensitive, can be mounted in any orientation



Physical Data

Contact Arrangements — Main Contacts — SPST, Latching
Auxiliary Contacts 1 — Up to 2 Form A

Dimensions — See drawing

Weight, Nominal — .95 lb. (.43 kg)

Environmental Data

Shock, 11ms 1/2 Sine (Operating) — 30 G_{peak}

Sine Vibration, 20 G_{peak} — 55-2000 Hz

Random Vibration, 14.06 Grms — 15 Hz (.002 G²/Hz), 100 Hz (.002 G²/Hz), 450 Hz (.12 G²/Hz), 900 Hz (.12 G²/Hz), 2000 Hz (.083 G²/Hz)

Operating Temperature Range — -40°C to +85°C

Electrical Data

Voltage Rating — Main Contacts (Max) — 750 Vdc

Current Rating, Continuous — Main Contacts 2 — 500A

Contact Resistance — Main Contacts 3 — 0.2 mΩ max above 300A
0.3 mΩ max between 50 and 300A

Hot Switching Performance (Positive Polarity) 4 — 200A make/ break @ 270Vdc — 10,000 cycles
600A make/ break @ 360Vdc — 100 cycles
800A break only @ 360Vdc — 15 cycles
2000A break only @ 360Vdc — 1 cycle

Mechanical Life (Min) — 100,000 cycles

Dielectric Withstand Voltage — Terminal to Terminal/ Terminals to Coil — 1mA max @ 2,200 Vrms

Insulation Resistance — Terminal to Terminal/ Terminals to Coil — 100MΩ min @ 500Vdc new
50MΩ min @ 500Vdc end of life

Coil Data 5
Nominal Coil Voltage 6 — 12 Vdc
Pick Up/Latch (Max) @ 25°C — 9 Vdc

Hold (Min) — N/A

Reset (Max)/Dropout (Min) — 9 Vdc

Duty Cycle, Max 7 — 20%

Coil Resistance @ 25°C — 2.5 Ω

Operate Specs @ 25°C — Operate Time (Typ) — 15 ms
Operate Bounce (Max) — 7 ms
Release Time (Max) — 15 ms

- Notes:**
- 1 Product can be configured alternately with form B or C auxiliary switches if required. This changes the product part number, depending on specific auxiliary configuration. Consult Tyco Electronics for availability and part number
 - 2 Ambient conditions and conductor design affect rating. Terminal temperature rise should be 75°C max above ambient. Keep relay terminals below 150°C max continuous, 175°C max for two hours, and 200°C for 1 minute.
 - 3 Stabilized reading. Contact resistance may exceed spec in the first 10 minutes of current carry.
 - 4 Units are polarity sensitive. Approximately 50% de-rating for reverse polarity switching. Consult factory for review of specific requirements.
 - 5 Over temperature range unless noted. Suggested coil pulse = 50-100 ms.
 - 6 24V and 48V coils available on request — consult factory.
 - 7 Intermittent Duty Coil. Coil overheating can occur if duty cycle is exceeded. Limit average coil power to 10W maximum.

Ordering Information

Typical Part Number ► **EV200 P 4 A N A**

Series: EV200 = 500+ Amp, 12-900VDC Contactor

Contact Form: P = Latching
F = Latching with 1 SPDT Aux.

Coil Voltage: 4 = 12 Vdc
5 = 24 Vdc
6 = 48 Vdc

Coil Terminations: A = 15.3 in. (300 mm)

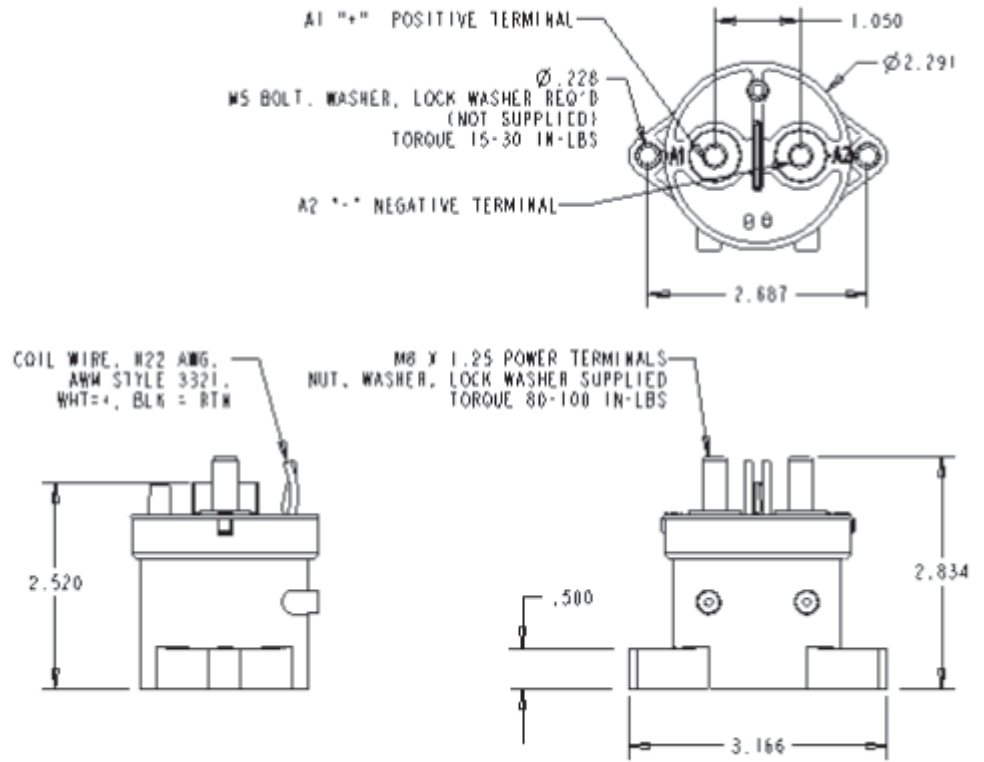
Coil Termination Connector: N = None

Mounting & Power Terminals: A = Bottom Mount & Male 10mm x M8 Threaded Terminals

For factory-direct application assistance, dial 800-253-4560, ext. 2055, or 805-220-2055.

KILOVAC EV200P Series Latching Contactor (Continued)

Outline Dimensions



For factory-direct application assistance, dial 800-253-4560, ext. 2055, or 805-220-2055.

**KILOVAC EV100 Series Contactor With 1 Form X
Contacts Rated 100 Amps Continuous, 900 Vdc**

Product Facts

- 8kV isolation between open contacts permits use for high voltage isolation and carry
- Designed and built in accordance to AIAG QS9000
- 9-36 economized coil
- Hermetically sealed — operates in explosive/harsh environments with no oxidation or contamination of coil or contacts during long periods of non-operation
- Not position sensitive, can be mounted in any orientation

Physical Data

Contact Arrangements —
Main Contacts — SPST-NO-DM (1 Form X)

Dimensions — See drawing
Weight, Nominal — 4.4 oz (126g)

Environmental Data

Shock, 11ms 1/2 Sine (Operating) — 20 G_{peak}

Sine Vibration, 20 G_{peak} —
55-2000 Hz

Noise Emission (at 100 mm distance) — 70dB(a)

Operating Temperature Range —
-40°C to +85°C

Electrical Data

Voltage Rating —
Main Contacts (Max) — 900 Vdc

Current Rating, Continuous —
Main Contacts — 100A
Short Term - 3 mins. — 200A

Hot Switching Performance (Positive Polarity)³ —
50A make/break @ +400Vdc —
50,000 cycles
100A make/ break @ +400Vdc —
6,000 cycles
100A make/break @ -400Vdc —
1,000 cycles
200A make/break @ +400 Vdc —
500 cycles
1,000A break only @ +400 Vdc —
10 cycles
600A make only @ — 25 cycles

Mechanical Life (Min) —
1 million cycles

Dielectric Withstand Voltage —
Between Open Contacts — 5,600
Vrms/8,000 VDC
Contacts to Coil — 2,000 Vrms/4,000 Vdc

Insulation Resistance —

Terminal to Terminal/ Terminals to Coil —
100MΩ min @ 500Vdc new
50MΩ min @ 500Vdc end of life

Coil Data

In Rush Max Current — 3.5 A
High range — 36 Vdc

Avg. Hold Current —
100mA @ 12V, 45 mA @ 24V

Ordering Information

Typical Part Number ▶

EV100 A A A N A

Series: _____
EV100 = 100A Contactor

Contact Form: _____
A = 1 Form X (SPST-NO-DM)

Coil Voltage (with Economizer): _____
A = 9-36 Vdc Electrical Economizer
4 = No Economizer⁽¹⁾

Coil Terminals: _____
A = 15 in. (.4 m)

Coil Terminal Connector: _____
N = None - Stripped Wires

Mounting & Power Terminations: _____
A = Bottom Mount (2 x #8); M5 x10

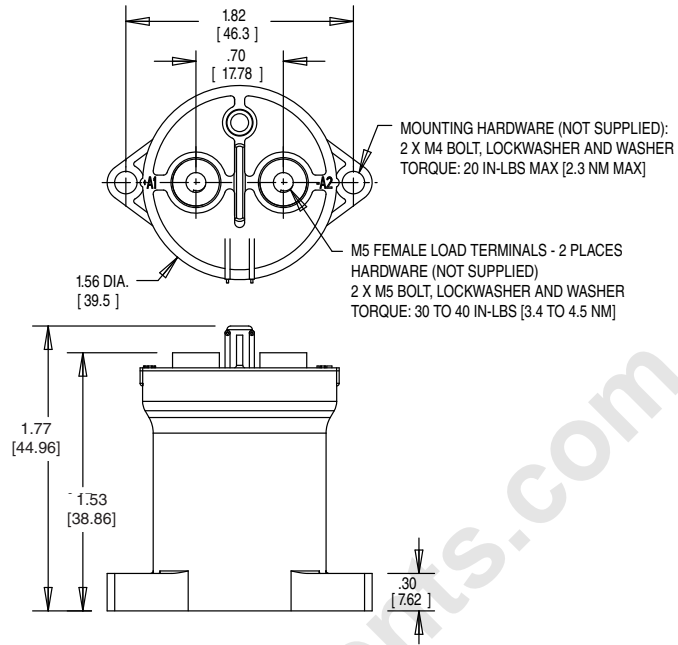
(1) Requires external economizer.

For factory-direct application assistance,
dial 800-253-4560, ext. 2055, or
805-220-2055.

KILOVAC EV100 Series (Continued)

Outline Dimensions

Bottom Mount



For factory-direct application assistance,
dial 800-253-4560, ext. 2055, or
805-220-2055.

KILOVAC LEV100 Series 900 Vdc Contactor With 1 Form X Contacts Rated 100A Continuous

Product Facts

- Hermetically sealed — intrinsically safe. Operates in explosive/harsh environments without oxidation or contamination of contacts, including long periods of non-operation
- 8kV isolation between open contacts permits use for high voltage isolation and carry
- 12, 24 and 48 Vdc coils
- Designed and built in accordance to AIAG QS9000
- Not position sensitive, can be mounted in any orientation
- Solid copper contacts



Description

Lowest cost, 900 Vdc 100 amp, hermetically sealed DC contactor in the industry

Compact package available in side- or bottom-mount configurations, not position sensitive

Applications

Power/motor control circuit isolation, circuit protection and safety in industrial machinery

Automotive battery switching and backup

Mechanical

Compact epoxy-sealed resin enclosure occupies only about 4 in³ (65.5 cm³)

Robust integral mounting plate on either bottom or side of enclosure accepts two M4 screws

Inert gas filled contact chamber

Flying leads for coil connections

Load terminals threaded for M5 bolts (not included)

Performance Data

Physical Data

Contact Arrangement, Main Contacts — SPST-NO-DM (1 Form X)

Dimensions — See drawings on next page

Weight — 6.7 oz (190g)

Contact Data

Contact Arrangement, Main Contacts — SPST-NO-DM (1 Form X)

Voltage Rating, Main Contacts Switching (Max) — 900VDC

Current Rating, Main Contacts Switching —

Continuous 1 — 100A
Short Term, 3 Minutes 2 — 200A

Hot Switching Performance (Polarity Sensitive) —

50A make/break @ +400Vdc — 50,000 cycles
100A make/break @ +400Vdc — 6,000 cycles
100A make/break @ -400Vdc — 1,000 cycles
200A make/break @ +400Vdc — 500 cycles
1,000A break only @ +400Vdc — 25 cycles
600A make only — 25 cycles

Maximum Short Circuit Current (1/2 cycle, 60 Hz) — 1,250A (through closed contacts)

Dielectric Withstand Voltage 3 —
Between Open Contacts —
5,600Vrms/8,000Vdc
Contacts to Coil —
2,000Vrms/4,000Vdc

Insulation Resistance, Terminal to Terminal / Terminals to Coil —

When New — 100 megohms, min. @ 500Vdc
At End of Life — 50 megohms, min. @ 500Vdc

Mechanical Life — 1 million cycles

Operate & Release Time

Operate Time Max. — 25ms

Operate Bounce Max. — 5ms

Release Time — 10ms

Environmental Data

Shock, 11ms 1/2 sine (operating) — 20G peak

Sine Vibration, 20G peak — 55-2,000 Hz.

Operating Temperature Range — -40°C to +85°C

Noise Emission (at 100 mm distance) — 70dB(a)

Notes

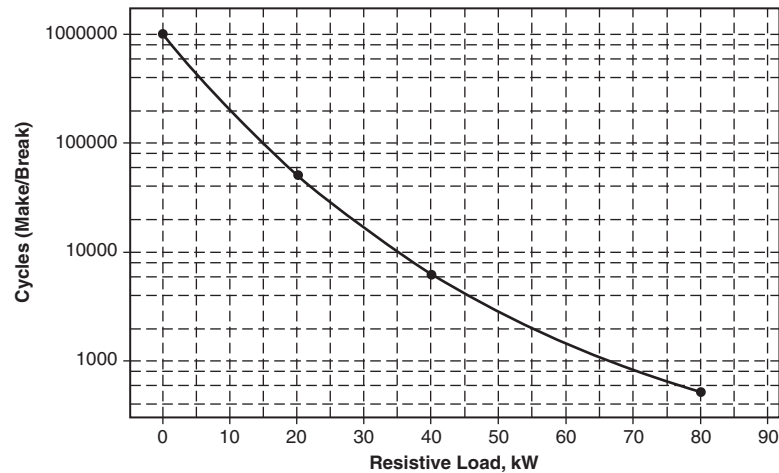
- 1 8.4 mm² conductor. Current rating depends upon conductor size. Keep terminals below 175°C max continuous.
- 2 3 minutes at +40°C ambient with 8.4 mm² (#8 AWG) conductor.
- 3 2,000Vrms minimum under all conditions, until end of life.

For factory-direct application assistance, dial 800-253-4560, ext. 2055, or 805-220-2055.

KILOVAC LEV100 Series 900 Vdc Contactor (Continued)

Coil Operating Voltage (Valid Over Temperature Range)			
Nominal Voltage	12Vdc	24Vdc	48Vdc
Maximum Voltage	16Vdc	28Vdc	52Vdc
Pick Up Voltage (20°C)	8Vdc	16Vdc	33Vdc
Drop Out Voltage (20°C)	≤1.2Vdc	≤2.4Vdc	≤4.8Vdc
Coil Current (Nominal at 20°C, 12vdc)	461mA	250mA	122mA
Coil Power			
Nominal @ Vnom, +20°C	5.5W	6.0W	6.0W
Pickup (Close) Voltage Max. @85°C			
	9.6Vdc	19.2Vdc	38.4Vdc
Coil Resistance			
Nominal @ +20°C ± 5% (ohms)	26	96	392

Life Cycles vs Resistive Load up to 900Vdc



Ordering Information

Typical Part Number ▶ **LEV100 A 4 A N G**

Series: _____
LEV100 = 100A Contactor

Contact Arrangement: _____
A = 1 Form X (SPST-NO-DM)

Coil Voltage: _____
4 = 12VDC
5 = 24VDC
6 = 48VDC

Coil Wire Length: _____
A = 15 inches [.4M]

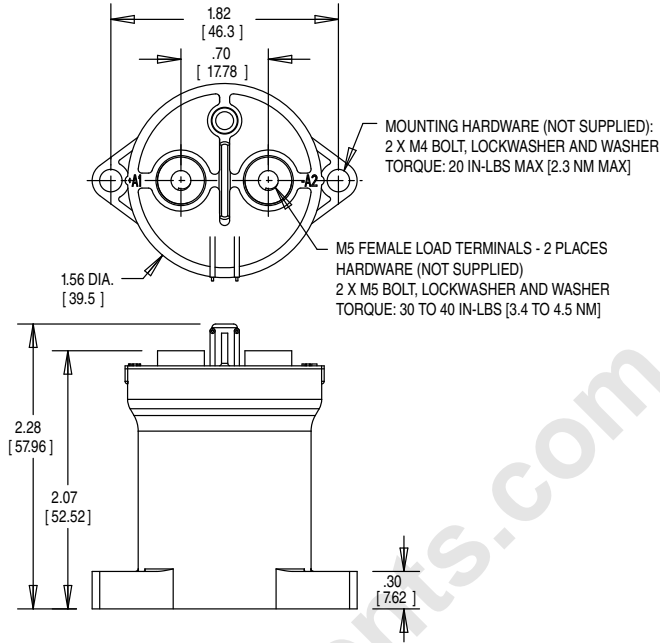
Coil Termination: _____
N = None – Stripped Wires

Mounting and Power Terminals: _____
G = Bottom Mount (2 x #8); M5 x 10
H = Side Mount (2 x #8); M5 x 10

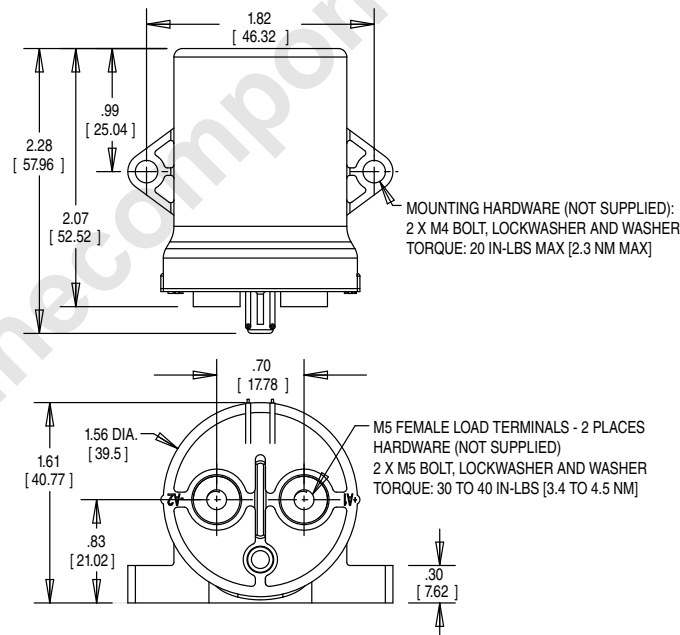
For factory-direct application assistance,
dial 800-253-4560, ext. 2055, or
805-220-2055.

KILOVAC LEV100 Series 900 Vdc Contactor (Continued)

Bottom Mount



Side Mount



Product Offering

Bottom Mount Models				
3-1618389-7	LEV100A4ANG	12Vdc coil	15" [.4m] leads	
9-1618389-8	LEV100A5ANG	24Vdc coil	15" [.4m] leads	
3-1618391-7	LEV100A6ANG	48Vdc coil	15" [.4m] leads	
Side Mount Models				
4-1618391-0	LEV100A4ANH	12Vdc coil	15" [.4m] leads	
4-1618391-1	LEV100A5ANH	24Vdc coil	15" [.4m] leads	
4-1618391-2	LEV100A6ANH	48Vdc coil	15" [.4m] leads	

For factory-direct application assistance, dial 800-253-4560, ext. 2055, or 805-220-2055.

**KILOVAC LEV200 Series Contactor With 1 Form X
Contacts Rated 500+ Amps, 12-900Vdc**

Product Facts

- Designed to be the lowest cost sealed contactor in the industry with its current rating (500+A carry, 2000A interrupt at 320Vdc)
- Available with bottom or side mounting — not position sensitive
- Optional auxiliary contact for easy monitoring of power contact position
- Hermetically sealed — intrinsically safe, operates in explosive/harsh environments with no oxidation or contamination of coils or contacts, including long periods of non-operation
- Typical applications include battery switching and backup, DC voltage power control, circuit protection and safety
- Versatile coil/power connections
- Designed and built in accordance to AIAG QS9000



Coil Data (Valid Over Temperature Range) ⁴			
Nominal Voltage	12Vdc	24Vdc	48Vdc
Pickup Voltage (Will Operate)	9.0Vdc	19.0Vdc	38.0Vdc
Voltage (Max.)	15Vdc	30Vdc	60Vdc
Dropout Voltage	0.75 - 2.0Vdc	1.0 - 5.0Vdc	2.0 - 7.0Vdc
Coil Resistance @ 25° (Typ.)	11 ohms	40 ohms	145 ohms

Ordering Information

Typical Part Number ►

LEV200 A 4 N A A

Series: _____
LEV200 = 500+ Amp, 12-900Vdc Contactor

Contact Form: _____
A = Normally Open
H = Normally Open with Aux. Contacts. (Option "H" requires option "A" in Coil Wire Length and option "N" in Coil Terminal Connector.)
Note: Other auxiliary contact forms available. Consult factory.

Coil Voltage: _____
4 = 12Vdc 5 = 24Vdc B = 28Vdc
6 = 48Vdc 7 = 72Vdc
8 = 96Vdc L = 110Vdc O = 115Vac 9 = 240Vac

Notes: Consult factory for detailed specifications and availability of coils not listed in "Coil Data" table above. In coil voltage codes, 115Vac is designated by the letter "O" rather than the numeral "0."

Coil Wire Length: _____
A = 15.3 in (390 mm) N = None (Requires option "A" in next step.)

Coil Terminal Connector: _____
N = None, stripped wires (Requires option "A" in previous step.)
A = Studs, #10-32 Threaded (Electrical connection is made to the tab at the base of the stud.)
Note: Specify option A, stripped wires, for coil voltages > 96Vdc

Mounting & Power Terminals: _____
A = Bottom Mount & Male 10mm x M8 Threaded Terminals
F = Side Mount & Male 10mm x M8 Threaded Terminals

Consult factory regarding other available mountings and power terminals.

Performance Data

Contact Arrangement, Power Contacts — 1 Form X (SPST-NO-DM)
Rated Operating Voltage — 12 - 900 VDC

Continuous (Carry) Current, Typical — 500 A @ 65°C, 400 mcm conductors
Consult Tyco Electronics for required conductors for higher (500+ A) currents

Make/Break Current at Various Voltages ¹ — See graph next page
Break Current at 320VDC ¹ — 2,000 A, 1 cycle ³

Contact Resistance, Typ. (@200A) — 0.2 mohms

Load Life — See graph next page

Mechanical Life — 100,000 cycles

Contact Arrangement, Auxiliary Contacts — 1 Form A (SPST-NO)

Aux. Contact Current, Max. — 2A @ 30VDC / 3A @ 125VAC

Aux. Contact Current, Min. — 100mA @ 8V

Aux. Contact Resistance, Max. — 0.417 ohms @ 30VDC / .150 ohms @ 125VAC

Operate Time @ 25°C — Close (includes bounce), Typ. — 25 ms
Bounce (after close only), Max. — 7 ms
Release (includes arcing), Max @ 2000A — 12 ms

Dielectric Withstanding Voltage — 2,200 Vrms @ sea level (leakage <1mA)

Insulation Resistance @ 500VDC — 100 megohms ²

Shock, 11ms 1/2 Sine, Peak, Operating — 20 G

Vibration, Sine, 80-2000Hz., Peak — 20 G

Operating Ambient Temperature — -40°C to +85°C

Weight, Typical — 1.3 lb. (.60 kg)

Notes:

- 1 Main power contacts
- 2 50 at end of life
- 3 Does not meet dielectric & IR after test, 1700 amp for unit with Aux. Contacts
- 4 Contacts will operate with 0.8V_{nom} < V_{coil} < 1.1V_{nom} over temperature range.

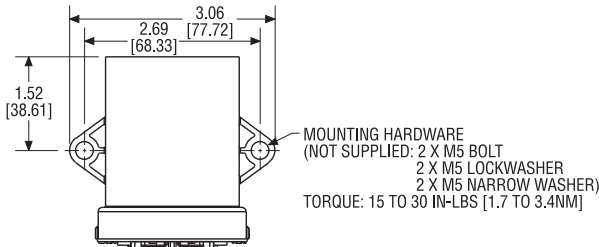
Invalid Combinations/Reason

- LEV200H-NA_ No auxiliary function with coil studs
- LEV200_ONA_ No coil studs with rectifier circuit
- LEV200_9NA_ No coil studs with rectifier circuit
- LEV200_O_F No side mount with rectifier circuit
- LEV200_9_F No side mount with rectifier circuit

For factory-direct application assistance, dial 800-253-4560, ext. 2055, or 805-220-2055.

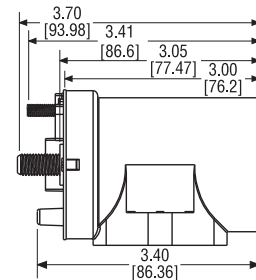
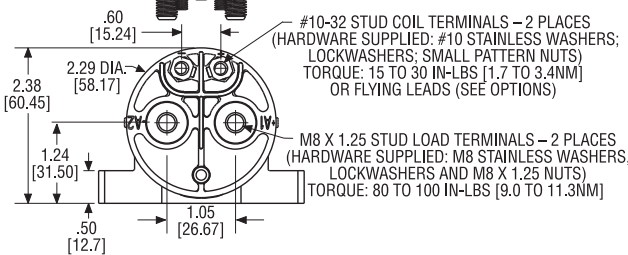
KILOVAC LEV200 Series (Continued)

Outline Dimensions

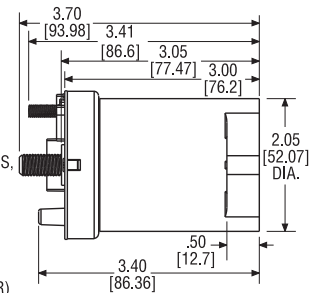
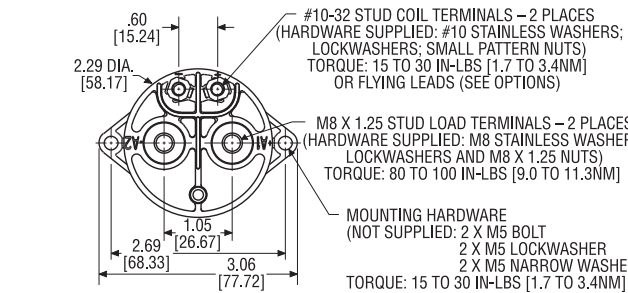


Note: When stud terminals are specified for coil connections, the electrical connection is made at the tab located at the base of the stud.

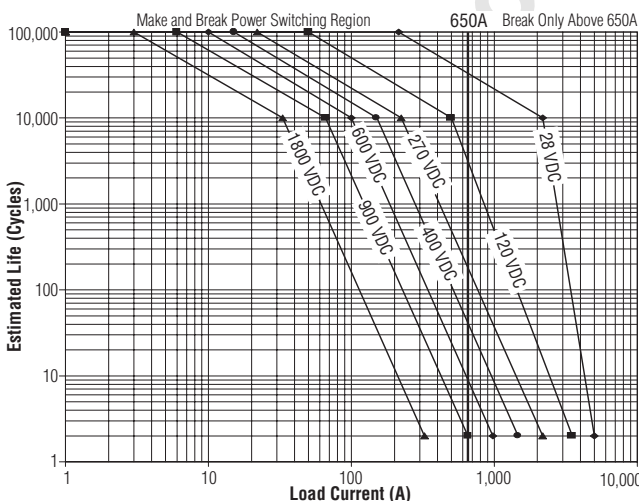
Slide Mount Enclosure



Bottom Mount Enclosure



Estimated Make & Break Power Switching Ratings



- NOTES:**
- 1) For resistive loads with 300H maximum inductance. Consult factory for inductive loads.
 - 2) Estimates based on extrapolated data. User is encouraged to confirm performance in application.
 - 3) End of life when dielectric strength between terminals falls below 50 megohms @ 500VDC.
 - 4) The maximum make current is 650A to avoid contact welding.

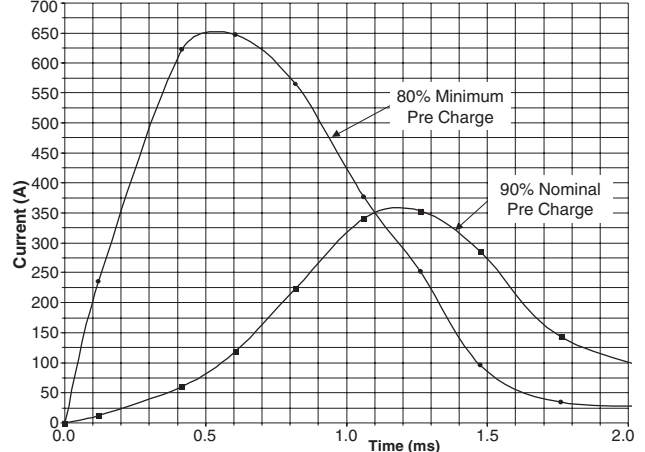
For factory-direct application assistance, dial 800-253-4560, ext. 2055, or 805-220-2055.

Electrical Load Life Ratings for Typical LEV Applications

Make/Break Life Capacitive & Resistive Loads at 320VDC (1) (2)	
@90% capacitive pre-charge (make only) see chart below	Cycles 50,000
@80% capacitive pre-charge (make only) see chart below	Cycles 50
2,000A (break only) (1)	Cycles 1*
Mechanical Life	Cycles 100,000

- (1) Resistive load includes inductance L = 25μH. Load @ 2500A tested @ 200μH.
 (2) Life based on projected Weibull Life with 95% reliability.
 * Does not meet dielectric and IR after test.

LEV200 Capacitive Make Test Curves for Pre-Charged Motor Controller



FM200 (“Flatman III”) Series Contactor
200 Amps, 480 VAC (50/60 Hz), or 48 Vdc, 1-, 2-, or 3-poles

Product Facts

- Multi-pole configurations
- Normally open, normally closed and mixed contact arrangements
- Optional quick connect tabs for sensing
- Small, lightweight & cost-effective – designed to be the smallest, lowest cost contactor in the industry with its current rating
- Standard models available with 12VDC, 24VDC and 115 VAC coils. Consult factory for 240VAC coil models.
- 1 Form A auxiliary contacts



c **UL** US File E208033

For factory-direct application assistance, dial 800-253-4560, ext. 2055, or 805-220-2055.

Product Specifications

Parameter	Units	Value for FM200 Series
Contact Arrangement		1, 2 or 3 poles
Contact Form (per pole)		Form X or Y (NO-DM or NC-DB)
Rated Operating Voltage	V	480Vrms (L-L) or 48VDC
Max. Contact Voltage (transient)	V	750Vrms or 60VDC
Continuous (Carry) Current	Arms or ADC	200/pole (Form X) 150/pole (Form Y)
Power Switching Form X (0.7-1.0 PF)	Cycles	2,000 @ 300Arms 10,000 @ 200Arms 20,000 @ 100Arms 5,000 @ 200A/48VDC 2 million @ 50A/28VDC
Power Switching Form Y (0.7-1.0 PF)	Cycles	2,000 @ 225Arms 10,000 @ 150Arms 20,000 @ 75Arms 5,000 @ 150A/48VDC 2 million @ 35A/28VDC
Mechanical Life	Cycles	>2 million
Contact Voltage Drop	mV	75 for Form X or Form Y
Auxiliary Contact Arrangement		1 Form A (SPST-NO)
Auxiliary Contact Rating	Arms or ADC	1 @ 30VDC, 3 @ 125VAC
Dielectric Withstanding Voltage	Vrms	2,200 @ sea level
Insulation Resistance @ 500VDC	Megohms	100
Shock, 11ms 1/2 sine, peak	G	10
Vibration, sine, 10-2000Hz.	G	5
Operating Temperature	°C	-20 to +60
Storage Temperature	°C	-40 to +85
Ambient Humidity	%RH	0 to 95
Weight	oz. / kg	17.6 - 49.4 / 0.5 -1.4

See Outline Dimensions for model-specific weight information.

Available Pole Configurations and Applicable Coil Codes

No. of NC Poles (across)	0	1	2	3
No. of NO Poles (down)	0	Y Coil D	YY Coil D	YYY Coil D
	1	X Coil A/B/C/E	XY Coil A/B/C/E	YXY Coil D
	2	XX Coil A/B/C/E	YXY Coil A/B/C/E	
	3	XXX Coil A/B/C/E		

X = Form X (NO-DM) Y = Form Y (NC-DB)

Coil Operating Voltage (valid over temperature range)

Coil Designator	Units	A	B	C	D
Nominal Voltage	V	12 (DC)	24 (DC)	115 (AC)	24 (DC)
Voltage Range	V	9.6-13.2	19.2-26.4	92-126.5	19.2-26.4
Hold Voltage	V	≥0.5V _{nom}	≥0.5V _{nom}	≥0.5V _{nom}	≥0.5V _{nom}
Dropout Voltage	V	≤0.1V _{nom}	≤0.1V _{nom}	≤0.1V _{nom}	≤0.2V _{nom}

Coil Resistance Data for Pole Configurations (@25°C)

Coil Designator	Units	A	B*	C*	D*
Resistance ±10%	Ohms	X = 36 XX = 18 XXX = 12 XY = 13.2 YXY = 9.6	X = 36 XX = 18 XXX = 12 XY = 13.2 YXY = 9.6	X = 36 XX = 18 XXX = 12 XY = 13.2 YXY = 9.6	Y = 20.8 YY = 10.4 YYY = 6.9 YXY = 8.1

*Coil resistance not measurable at terminals due to converter/economizer circuit.

Coil Current/Power Data for Pole Configurations (@25°C, V_{coil}=1.1V_{nom})

Coil Designator	A	B**	
Current/Power	X = 0.37 ADC / 4.84W XX = 0.73ADC / 9.68W XXX = 1.1ADC / 14.5W XY = 1.0ADC / 13.2W YXY = 1.38ADC / 18.2W	X = 0.33ADC / 3.9W XX = 0.65ADC / 7.6W XXX = 0.97ADC / 11.3W XY = 0.98ADC / 12.7W YXY = 1.31ADC / 16.5W	
Coil Designator	C	D***	Pick-Up I / Duration
Current/Power	X = 0.067 Arms / 6.8VA XX = 0.115Arms / 11.6VA XXX = 0.146Arms / 14.8VA XY = 0.074Arms / 7.5VA YXY = 0.161Arms / 16.3VA	Y = 0.13ADC / 3.4W YY = 0.23ADC / 6.1W YYY = 0.34ADC / 9.0W YXY = 0.28ADC / 7.4W	1.28ADC / 75ms 2.4ADC / 75ms 3.0ADC / 75ms 3.0ADC / 75ms

**Average coil current.

***Economized.

Operate/Release Time (25°C, 0.8V_{nom} ≤ V < V_{nom}) Typ.

Coil Designator	Units	A	B****	C****	D****
Operate Time	ms	25-50	30-50	50-150	20-30
Release Time	ms	10-20	70-80	75-100	75-100
Bounce Time	ms	2-5	2-5	2-5	2-5

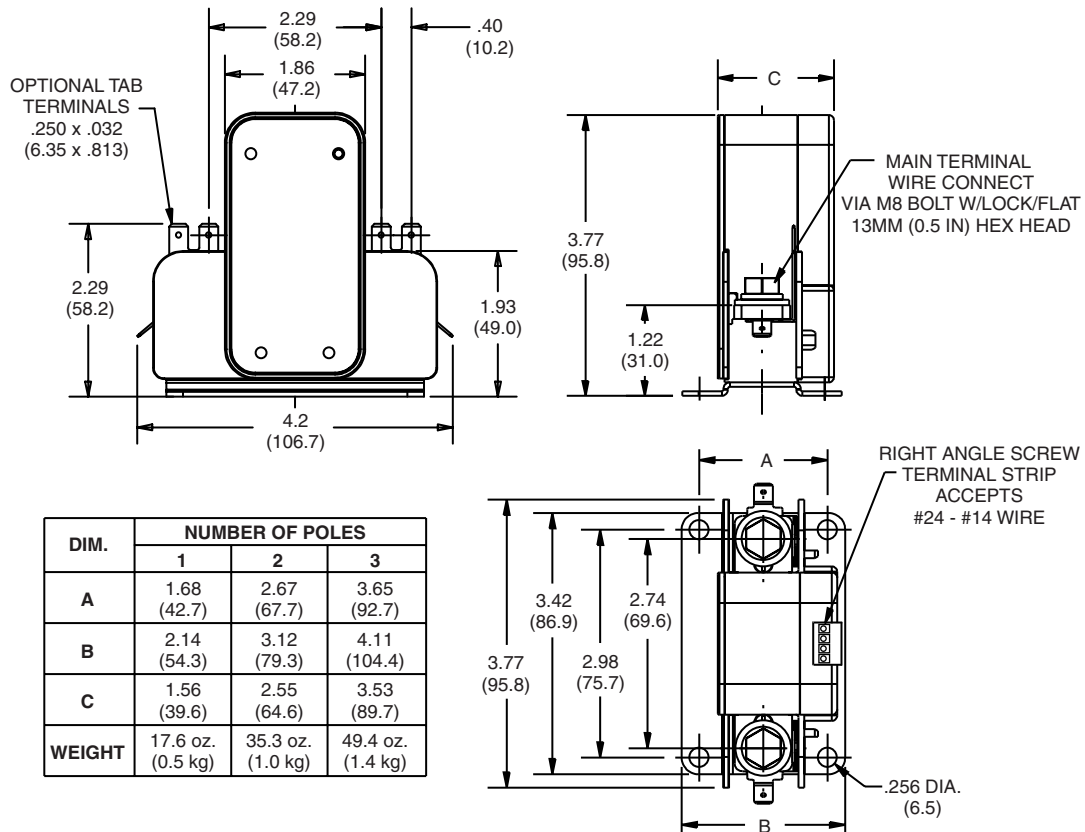
****Includes internal coil suppression.

FM200 "Flatman III" Series Contactor (Continued)

Part Numbering System

Typical Part Number	FM200	A	B	XYX
Series: FM200 = Multipole, 200 Amp, 480VAC/48VDC Contactor				
Control Voltage: A = 12VDC Coil, No Suppression B = 24VDC Converter, with Suppression C = 115VAC Converter, with Suppression D = 24VDC Electronic Chopper, with Suppression E = 240VAC Converter, with Suppression - Consult Factory for Availability and Specifications				
Optional Termination: A = Optional Quick Connect Tabs B = No Optional Terminals				
Pole Configuration (All models have a 1 Form A (SPST-NO) auxiliary switch): X = 1 Form X (SPST-NO-DM), Available with control voltage codes A, B, C and E XX = 2 Form X (2PST-NO-DM), Available with control voltage codes A, B, C and E XXX = 3 Form X (3PST-NO-DM), Available with control voltage codes A, B, C and E Y = 1 Form Y (SPST-NC-DB), Available only with control voltage code D YY = 2 Form Y (DPST-NC-DB), Available only with control voltage code D YYY = 3 Form Y (3PST-NC-DB), Available only with control voltage code D XY = 1 Form X (SPST-NO-DM) + 1 Form Y (SPST-NC-DB), Available with control voltage codes A, B, C and E XYX = 1 Form X (SPST-NO-DM) + 1 Form Y (SPST-NC-DB) + 1 Form X (SPST-NO-DM), Available with control voltage codes A, B, C and E YYX = 1 Form Y (SPST-NC-DB) + 1 Form X (SPST-NO-DM) + 1 Form Y (SPST-NC-DB), Available only with control voltage code D				

Outline Dimensions



For factory-direct application assistance,
dial 800-253-4560, ext. 2055, or
805-220-2055.

AC30 Series Contactor, 60 Amps, 600 VAC (50/60 Hz), 3 Form A (3PST-NO)

Product Facts

- Designed to be the smallest, lowest cost contactor in the industry with its current rating
- Built-in coil economizer – only 1.7W hold power @ 12VDC and limits back EMF to zero volts
- Hermetically sealed – intrinsically safe, operates in explosive & harsh environments with no oxidation or contamination of coils or contacts, including long periods of non-operation.



Submitted for UL and CE evaluation

For factory-direct application assistance, dial 800-253-4560, ext. 2055, or 805-220-2055.

Performance Data

Parameter	Units	Value for AC30 Series
Contact Arrangement		3 poles
Contact Form (per pole)		Form A (NO)
Rated Operating Voltage	V	600Vrms (L-L)
Max. Contact Voltage (transient)	V	600Vrms (L-N)
Continuous (Carry) Current	Arms	60/pole
Power Switching (0.7-1.0 PF)	Cycles	50 @ 60Arms 500 @ 10Arms 500 @ 30Arms 10,000 @ 10Arms 50,000 @ 5Arms
Mechanical Life	Cycles	1 million
Contact Voltage Drop (Max., Per Pole)	mV	120 @ 60Arms
Dielectric Withstanding Voltage	Vrms	2,200 @ sea level
Insulation Resistance @ 500VDC	Megohms	100
Shock, 11ms 1/2 sine, peak, operating	G	20
Vibration, sine, 80-2000Hz.	G	20
Operating Temperature	°C	-40 to +85
Storage Temperature	°C	-55 to +125
Ambient Humidity	%RH	0 to 95
Weight	lb.(kg)	.83 (.38)

Operate/Release Time (25°C)

Operate Time (Includes bounce)	ms	16 nominal / 35 maximum
Bounce Time (After Operate)	ms	4 nominal / 11 maximum
Release Time (includes arcing)	ms	5 nominal / 8 maximum

Coil Operating Voltage (valid over temperature range)

Voltage (will operate)	9-36VDC	32-95VDC	48-95VDC
Voltage (Max.)	36VDC	95VDC	95VDC
Pickup (close) Voltage Max.	9VDC	32VDC	48VDC
Hold Voltage (Min.)	7VDC	21VDC	33VDC
Dropout (open) Voltage (Min.)	6VDC	18VDC	27VDC
Inrush Current (Max.)	3.8A	1.3A	0.7A
Holding Current (Avg.)	0.13A@12V, 0.07A@24V	0.03A@48V	0.02A@72V
Inrush Time (Max.)	130ms	130ms	130ms

Part Numbering System

Typical Part Number



Series:
AC30 = Multipole, 60 Amp, 600VAC, 3-pole Contactor

Contact Form:
A = Normally Open

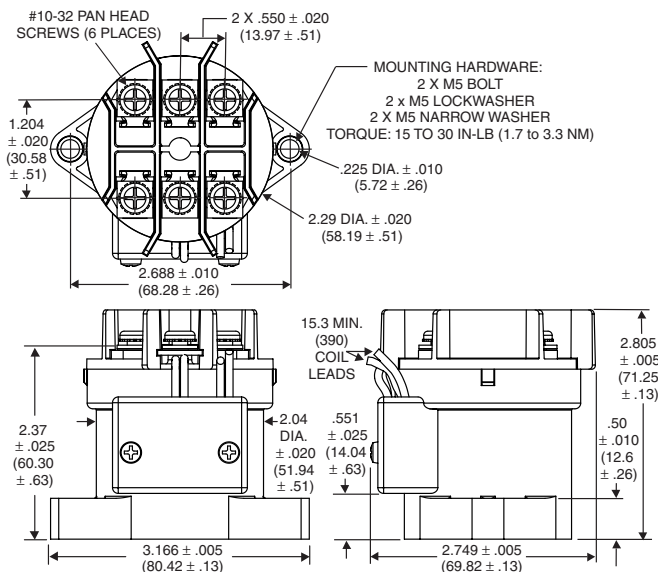
Coil Voltage:
A = 9-36VDC
B = 32-95VDC
J = 48-95VDC

Coil Wire Length:
A = 15.3 in (390 mm)

Coil Terminal Connector:
N = None

Mounting & Power Terminals:
A = Bottom Mount & #10-32 Pan Head Screws

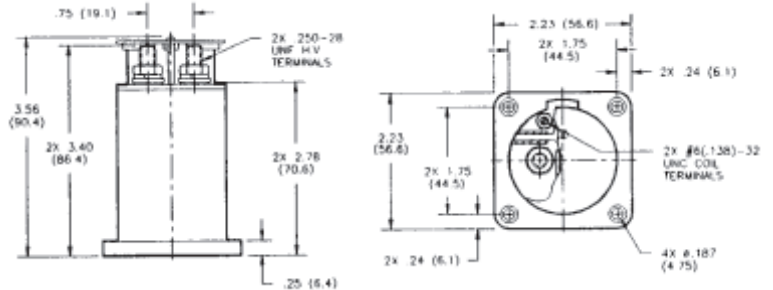
Outline Dimensions



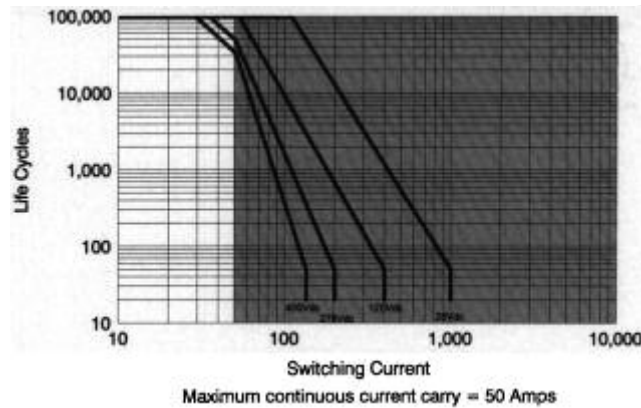
AP50X - 50 Amps Contactor

Product Facts

- 15 A carry, 200 A overload @ 270 Vdc
- Ideal for circuit protection and control
- Versatile power, voltage, and current operating range
- Bi-directional power switching
- Fast operate and release time
- Low power consumption
- Vacuum-sealed contacts; can operate in harsh environments
- Space-rated version built in accordance with customers SCD
- Meets many requirements of MIL-PRF-32085



Contact Ratings*



*Based on data extrapolated from qualification at 270 Vdc with resistive load. Since each application is unique, user is encouraged to verify rating in actual application.

Product Specifications

- Contact Arrangement** — SPST-NO
- Contact Form** — X
- Rated Resistive Load @ 270 Vdc** — 50 A
- Continuous Current Carry, Max.** — 50 A
- Overload @ 270 Vdc** — 200 A
- Contact Resistance, Max.** — 4 mohm

- Dielectric at Sea Level** — Coil to Power Terminals — 1,800 Vrms
All Other Points — 2,000 Vrms
- Shock, 11ms, 1/2 Sine (Peak)** — 30 g
- Vibration, Sinusoidal (55-2000 Hz, Peak)** — 20 g
- Operating Ambient Temperature Range** — -55°C to +85°C
- Load Life @ 270 Vdc, Min.** — 50,000 cycles

- Operate Time, Excluding Bounce, Max.** — 27 ms
- Release Time, Max.** — 10 ms
- Bounce Time, Max.** — 8 ms
- Insulation Resistance @ 500 Vdc, Min.** — Initial — 100 mohm
End of Life — 50 mohm
- Weight, Nominal** — 454 gram (16 oz.)

Coil Data

Volts, Nominal	12	28	120
Pickup, Max.	9.9 Vdc	23 Vdc	99 Vdc
Dropout, Min.	.4 Vdc	1.0 Vdc	4.0 Vdc
Coil Resistance (±10%)	19 Ω	103 Ω	1890 Ω
Energy, Magnetic, Max.	.05 J	.05 J	.05 J

Coil resistance rated at 25°C

Ordering Information

Sample Part Number ▶ **AP50 X B 5 7**

Series: _____

Contact Form: _____
X = SPST-NO Double Make

Coil Voltage: _____
A = 12 Vdc, Stud Terminals
B = 28 Vdc, Stud Terminals
C = 120 Vdc, Stud Terminals

Power Terminals: _____
5 = Stud Terminals

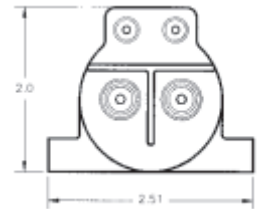
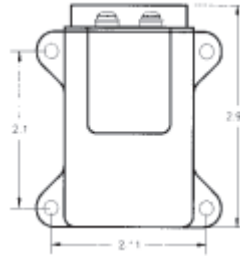
Mounting: _____
7 = Panel Mount

For factory-direct application assistance, dial 800-253-4560, ext. 2055, or 805-220-2055.

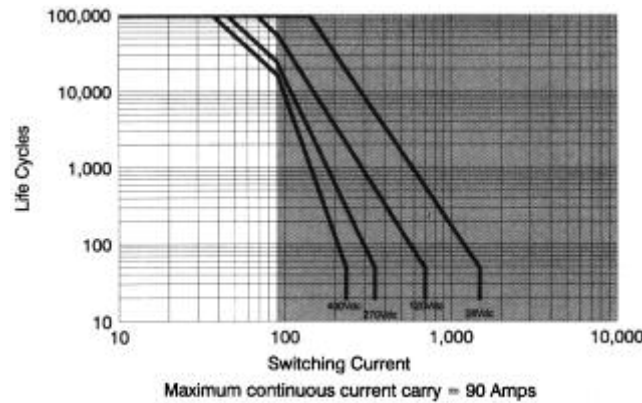
AP90X-05 - 90 Amps SPUD Contactor

Product Facts

- 90 A carry, 350 A overload @ 270 Vdc
- Same size and weight as AP50X
- Versatile power, voltage, and current operating range
- Ideal for circuit protection and control
- Bi-directional switching
- Fast operate and release time
- Low power consumption
- Vacuum-sealed contacts; can operate in harsh environments
- Space-rated version built in accordance with customers SCD
- Meets many requirements of MIL-PRF-32085



Contact Ratings*



*Based on data extrapolated from qualification at 270 Vdc with resistive load. Since each application is unique, user is encouraged to verify rating in actual application.

Product Specifications

- Contact Arrangement** — SPST-NO
- Contact Form** — X
- Rated Resistive Load @ 270 Vdc** — 90 A
- Continuous Current Carry, Max.** — 65 A
- Overload @ 270 Vdc** — 350 A
- Contact Resistance, Max.** — 2 mohm

- Dielectric at Sea Level** — Coil to Power Terminals — 1,800 Vrms; All Other Points — 2,000 Vrms
- Shock, 11ms, 1/2 Sine (Peak)** — 30 g
- Vibration, Sinusoidal (55-2000 Hz, Peak)** — 20 g
- Operating Ambient Temperature Range** — -55°C to +90°C
- Load Life @ 270 Vdc, Min.** — 25,000 cycles

- Operate Time, Excluding Bounce, Max.** — 35 ms
- Release Time, Max.** — 10 ms
- Bounce Time, Max.** — 8 ms
- Insulation Resistance @ 500 Vdc, Min.** — Initial — 100 mohm; End of Life — 50 mohm
- Weight, Nominal** — 454 gram (16 oz.)

Coil Data

Volts, Nominal	12	28	120
Pickup, Max.	9.9 Vdc	23 Vdc	99 Vdc
Dropout, Min.	.4 Vdc	1.0 Vdc	4.0 Vdc
Coil Resistance (±10%)	19 Ω	103 Ω	1890 Ω
Energy, Magnetic, Max.	.05 J	.05 J	.05 J

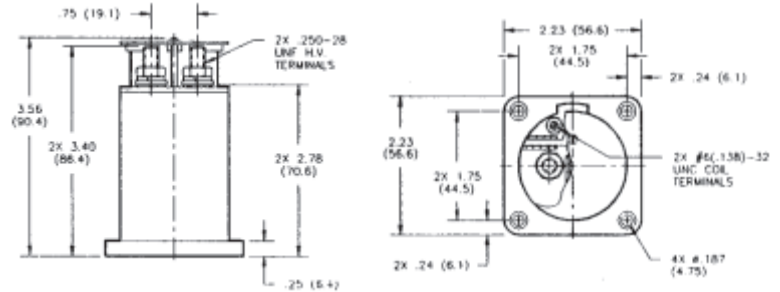
Coil resistance rated at 25°C

For factory-direct application assistance, dial 800-253-4560, ext. 2055, or 805-220-2055.

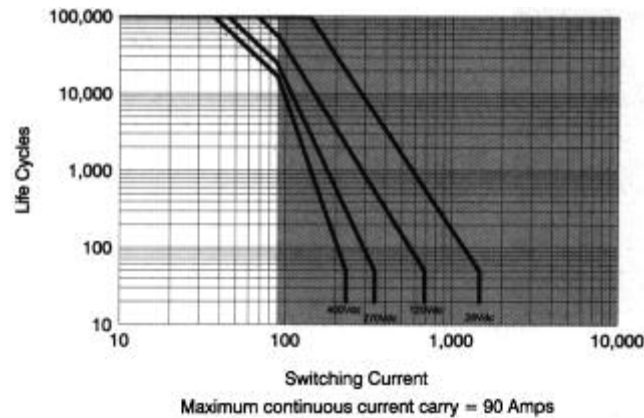
AP90X - 90 Amps SPUD Contactor

Product Facts

- 90 A carry, 350 A overload @ 270 Vdc
- Same size and weight as AP50X
- Versatile power, voltage, and current operating range
- Ideal for circuit protection and control
- Bi-directional switching
- Fast operate and release time
- Low power consumption
- Vacuum-sealed contacts; can operate in harsh environments
- Space-rated version built in accordance with customers SCD
- Meets many requirements of MIL-PRF-32085



Contact Ratings*



*Based on data extrapolated from qualification at 270 Vdc with resistive load. Since each application is unique, user is encouraged to verify rating in actual application.

Product Specifications

- Contact Arrangement** — SPST-NO
- Contact Form** — X
- Rated Resistive Load @ 270 Vdc** — 90 A
- Continuous Current Carry, Max.** — 90 A
- Overload @ 270 Vdc** — 350 A
- Contact Resistance, Max.** — 2 mohm

- Dielectric at Sea Level** — Coil to Power Terminals — 1,800 Vrms
All Other Points — 2,000 Vrms
- Shock, 11ms, 1/2 Sine (Peak)** — 30 g
- Vibration, Sinusoidal (55-2000 Hz, Peak)** — 20 g
- Operating Ambient Temperature Range** — -55°C to +85°C
- Load Life @ 270 Vdc, Min.** — 25,000 cycles

- Operate Time, Excluding Bounce, Max.** — 27 ms
- Release Time, Max.** — 10 ms
- Bounce Time, Max.** — 8 ms
- Insulation Resistance @ 500 Vdc, Min.** — Initial — 100 mohm
End of Life — 50 mohm
- Weight, Nominal** — 454 gram (16 oz.)

Coil Data

Volts, Nominal	12	28	120
Pickup, Max.	9.9 Vdc	23 Vdc	99 Vdc
Dropout, Min.	.4 Vdc	1.0 Vdc	4.0 Vdc
Coil Resistance (±10%)	19 Ω	103 Ω	1890 Ω
Energy, Magnetic, Max.	.05 J	.05 J	.05 J

Coil resistance rated at 25°C

Ordering Information

- Sample Part Number** ▶ AP90 X B 5 7
- Series:** _____
- Contact Form:** _____
X = SPST-NO Double Make
- Coil Voltage:** _____
A = 12 Vdc, Stud Terminals
B = 28 Vdc, Stud Terminals
C = 120 Vdc, Stud Terminals
- Power Terminals:** _____
5 = Stud Terminals
- Mounting:** _____
7 = Panel Mount

For factory-direct application assistance, dial 800-253-4560, ext. 2055, or 805-220-2055.



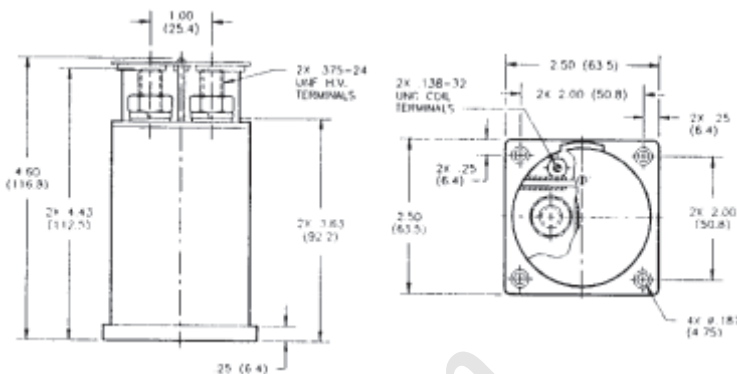
KILOVAC 270+ Vdc Traditional Aerospace Contactors

AP150X (Form X, Electrically Held) & AP150P (Form P, Latching) 150 Amps

CZONKA Contactor

Product Facts

- 150 A carry, 500 A overload @ 270 Vdc
- Suitable for circuit protection, control, and battery switching
- Versatile power, voltage, and current operating range
- Bi-directional switching
- Electrically held and latching coil versions
- Fast operate and release time
- Low power consumption
- Vacuum-sealed contacts; can operate in harsh environments
- Space-rated version built in accordance with customers SCD
- Meets many requirements of MIL-PRF-32085

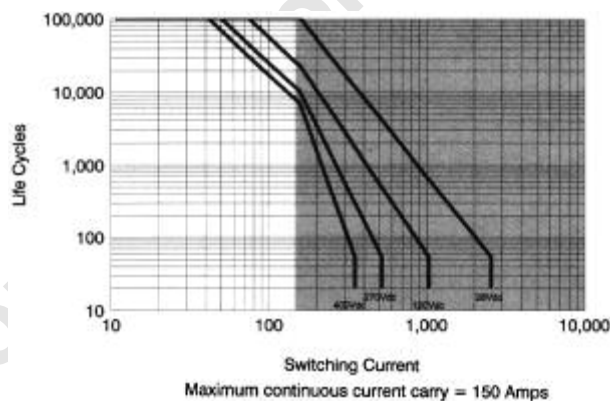


Product Specifications

- Contact Arrangement** — AP150X — SPST-NO
AP150P — SPST
- Contact Form** — AP150X — X
AP150P — P
- Rated Resistive Load @ 270 Vdc** — 150 A
- Continuous Current Carry, Max.** — 150 A
- Overload Make & Break @ 270 Vdc** — 400/500 A*
- Contact Resistance, Max.** — 1 mohm
- Dielectric at Sea Level** — Power Terminals to Terminal — 2,000 Vrms
Power Terminals to All Other Points — 1,800 Vrms
- Shock, 11ms, 1/2 Sine (Peak)** — 35 g
- Vibration, Sinusoidal (55-2000 Hz, Peak)** — 20 g
- Operating Ambient Temperature Range** — -55°C to +85°C
- Load Life @ 270 Vdc, Min.** — 10,000 cycles
- Operate Time (28 Vdc, 25°C)** —
- Close (Includes Bounce), Typ.** — AP150X — 35 ms
AP150P — 15 ms
- Bounce (After Close Only), Max.** — AP150X — 8 ms
AP150P — 5 ms
- Open (Includes Arcing), Max.** — AP150X — 10 ms
AP150P — 15 ms
- Insulation Resistance @ 500 Vdc, Min.** — Initial/End of Life — 100 mohm/50 mohm
- Weight, Nominal** — 1.66 lb (0.753 kg)

Note:
*500 = at beginning of life which is 0 to 5,000 cycles, 400 = at end of life which is 5,000 to 10,000 cycles.

Contact Ratings*



*Based on data extrapolated from qualification at 270 Vdc with resistive load. Since each application is unique, user is encouraged to verify rating in actual application.

Coil Data

	AP150X	AP150P
Voltage, Nominal*	28 Vdc	28 Vdc
Pickup (Close), Max.	23 Vdc	20 Vdc
Dropout (Open), Max.	1.0 Vdc	20 Vdc
Coil Resistance @ 25°C (10%)	52 Ω	13 Ω**
Coil Duty, Recommended	Continuous	100 ms to Toggle
Coil Energy, Max.	0.10 J	0.10 J
Coil Clamping	2.5 x nom.	500W/ms TVS

*12, 120 Vdc, or other special coil voltages available upon request.
**2 coils are used, both are high common. Switch coil power from low side. High side coil power switch is a special order.

Ordering Information

Sample Part Number ▶ **AP150 X B 5 7**

Series: _____

Contact Form: _____
X = SPST-NO Electrically Held
P = SPST, Latching

Coil Voltage: _____
A = 12 Vdc, Stud Terminals, .138-32
B = 28 Vdc, Stud Terminals, .138-32
C = 120 Vdc, Stud Terminals, .138-32

Power Terminals: _____
5 = Stud Terminals, .375-24

Mounting: _____
7 = Panel Mount

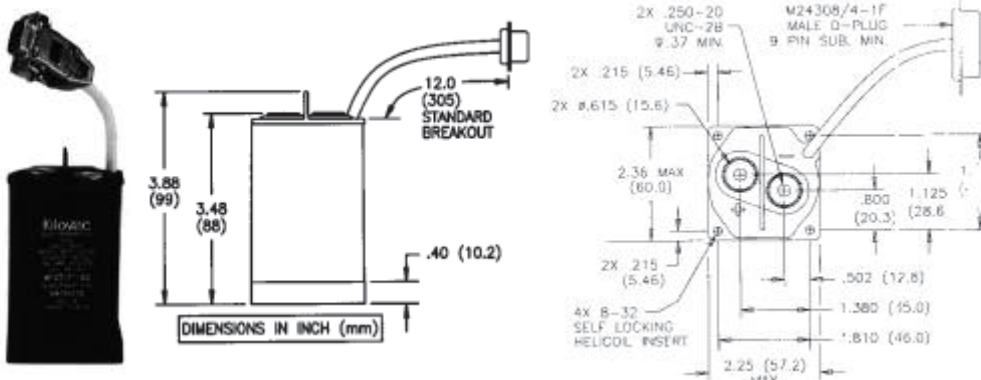
For factory-direct application assistance, dial 800-253-4560, ext. 2055, or 805-220-2055.

AP265 (Form X, Electrically Held) & AP265P (Form P, Latching) 265 Amps

CZONKA II Contactor

Product Facts

- 265 A carry, 1000 A overload @ 270 Vdc
- Bi-directional power switching
- Auxiliary Contacts
- Electrically held and latching coil versions
- Built-in coil drivers for electrically held (5W hold) and latching (coil pulser)
- Coil drivers EMC qualified to most of the requirements of MIL-STD-461D
- Versatile power, voltage, and current operating range
- Excellent for safety disconnect and transfer switch applications
- Designed for main generator loads
- Suitable for circuit protection and control
- Remote Power Controller version with overload protection available — contact factory for more information
- Hermetically-sealed contacts; can operate in harsh environments
- Space-rated version built in accordance with customers SCD
- Meets many requirements of MIL-PRF-32085



Product Specifications

Contact Arrangement Mains —
AP265X — Form X — SPST-NO
Form A — 2 x SPST-NO
AP265P — Form X — SPST
Form A — 2 x SPST

Polarity (Carry and Switching) —
Bi-directional

Rated Resistive Load @ 270 Vdc —
265 A

Continuous Current Carry, Max. —
265 A

Overload Current @ 270 Vdc, Max. —
Make and Break — 600 A
Break Only — 1000 A

Contact Resistance, Max. —
0.3 mohm

Dielectric at Sea Level (< 1 mA leakage) —
Power Terminals to Terminal — 1,000 Vrms
Power Terminals to All Other Points — 1,000 Vrms

Shock, 11ms, 1/2 Sine (Peak) —
25 g

Vibration, Sinusoidal (55-2000 Hz, Peak) — 10 g

Operating Ambient Temperature Range — -55°C to +85°C

Load Life @ 270 Vdc, Min. —
See graph above

Operate Time (28 Vdc, 25°C) —

Close (Includes Bounce), Typ. —
AP265X — 20 ms
AP265P — 10 ms

Bounce (After Close Only), Max. —
5 ms

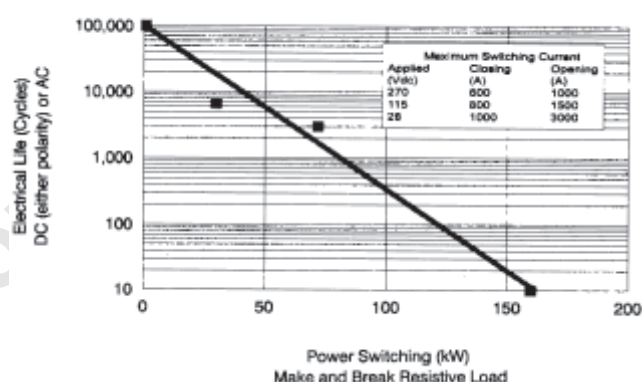
Open (Includes Arcing), Max. —
15 ms

Insulation Resistance @ 500 Vdc, Min. —
Initial/End of Life — 100 mohm/50 mohm

Weight, Nominal —
1.7 lb (0.77 kg)

Electrical Life Cycles vs Power Switching

(Data from 270 Vdc testing @ 265A, 95% Weibull Reliability)



Coil Data

	AP265X	AP265P
Type Driver	"PWM" Econ.	Pulser
Voltage, Nominal	28 Vdc	28 Vdc
Pickup (Close), Max.	20 Vdc	12 Vdc
Dropout (Open), Max.	11 Vdc	12 Vdc
Current @ 28 V, 25°C		
Inrush	1.8 A	2.6 A
Holding (Standby)	0.20 A	<0.05 A
Inrush Time, Max.	100 ms	100 ms

Ordering Information

Sample Part Number ▶ **AP265 X E 9 7**

Series: _____

Contact Form: _____
X = SPST-NO, Electrically Held
P = SPST, Latching

Coil Voltage: _____
E = 28 Vdc

Power Terminals: _____
9 = Female Threads, .250-20

Mounting: _____
7 = Panel Mount, Helcoil Locking

For factory-direct application assistance, dial 800-253-4560, ext. 2055, or 805-220-2055.



KILOVAC 270+ Vdc Traditional Aerospace Contactors

AP350X "BUBBA" Contactor 500 Amps

Product Facts

- 500 A carry, 1200 A make, 3000 A break @ 270 Vdc
- Bi-directional power switching
- Auxiliary Contacts
- Built-in coil power economizing — 6 W holding
- Versatile power, voltage, and current operating range
- Excellent for safety disconnect and transfer switch applications
- Suited for circuit protection control
- Hermetically-sealed contacts; can operate in harsh environments
- Designed for main generator loads
- Space-rated version built in accordance with customers SCD
- Meets many requirements of MIL-PRF-32085



Product Specifications

Contact Arrangement with Auxiliary Contact (28 Vdc, 0.1 A) —
Form X — SPST-NO
Form A — SPST-NO

Rated Resistive Load @ 270 Vdc, 85°C — 350 A

Continuous Current Carry, Max., 25°C — 500 A

Overload Current @ 270 Vdc, Max. —
Make (Closed Into) — 1200 A
Break (Open) — 3000 A

Contact Resistance, Max. — 0.2 mohm

Dielectric at Sea Level (< 1mA leakage) —
Open Power Terminal to Terminal — 2,000 Vrms
Closed Power Terminals to All Other Points — 2,000 Vrms

Shock, 11ms, 1/2 Sine (Peak) — 25 g

Vibration, Sinusoidal (55-2000 Hz, Peak) — 10 g

Operating Ambient Temperature Range — -55°C to +85°C

Load Life @ 270 Vdc, Min. —
See graph above

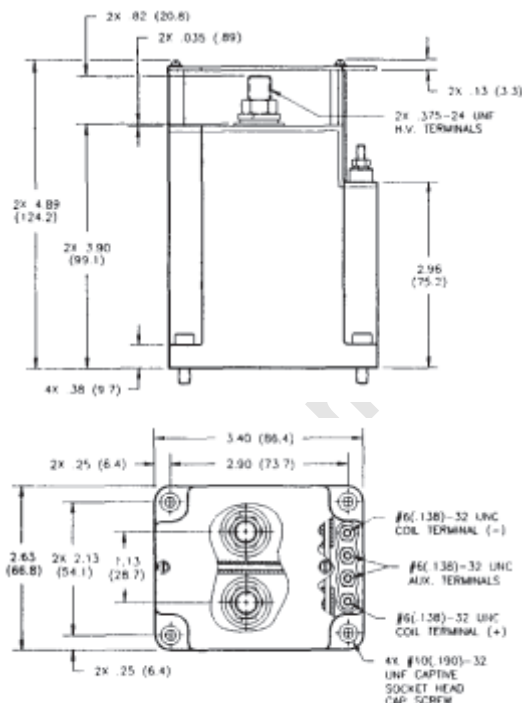
Operate Time @ 25°C — 35 ms
Close (Includes Bounce), Typ. — 35 ms

Bounce (Occurs When Closing), Max. — 5 ms

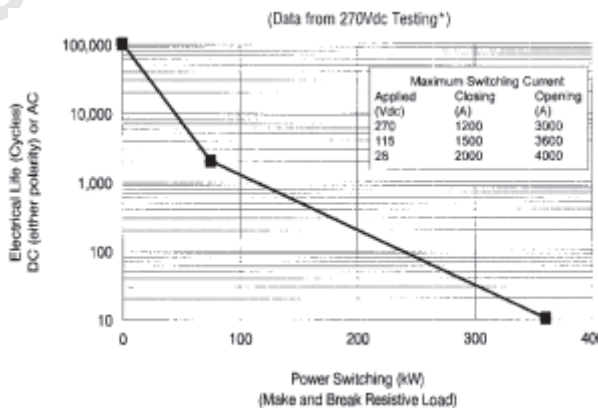
Open (Includes Arcing), Max. — 20 ms

Insulation Resistance @ 500 Vdc, Min. —
Initial/End of Life — 100 mohm/50 mohm

Weight, Nominal — 3.35 lb (1.52 kg)



Electrical Life Cycles vs Power Switching



*Failure mode: Dielectric withstand voltage test @ 2000 Vdc, power terminal to terminal, leakage exceeds 1.0 A. Current Carry: 500 A @ 25°C. Derate 2.5 A/°C to 350 A @ 85°C for still air, no heat sink, AWG# 00 conductor.

Coil Data

	AP350X
Type Driver	"PWM" Econ.
Voltage, Nominal	28 Vdc
Pickup (Close), Max.	20 Vdc
Dropout (Open), Max.	11 Vdc
Current @ 28 V, 25°C	
Inrush	2.1 A
Holding (Standby)	0.21 A
Inrush Time, Max.	200 ms

For factory-direct application assistance, dial 800-253-4560, ext. 2055, or 805-220-2055.

Ordering Information

Sample Part Number ▶ **AP350 X B 5 7**

Series: _____

Contact Form: _____
X = SPST-NO Double Make

Coil Voltage: _____
B = 28 Vdc, Stud Terminals

Power Terminals: _____
5 = Screw Terminals

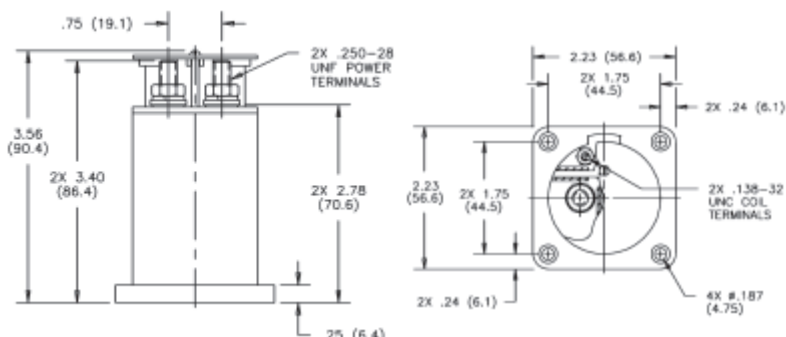
Mounting: _____
7 = Panel Mount, captive bolts

Refer to EV500 Sales Drawing for complete specifications.

PD90X - 90 Amps Make & Break Load Switching

Product Facts

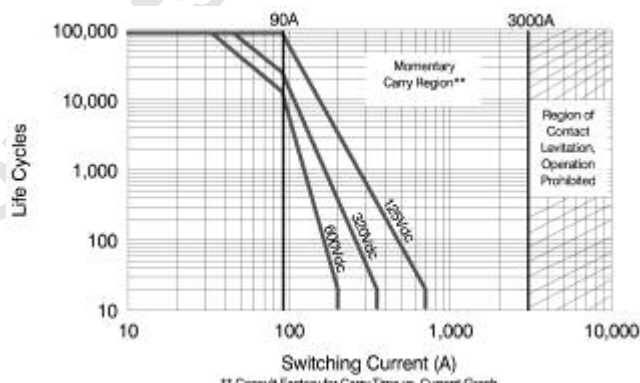
- Vacuum dielectric for power switching
- 90 A carry, 350 A overload @ 320 Vdc
- Versatile power, voltage, and current operating range
- Ideal for circuit protection and control
- Bi-directional switching
- Fast operate and release time
- Low power consumption
- Vacuum-sealed contacts; can operate in harsh environments
- Optimized for power switching



Product Specifications

- Contact Arrangement** — SPST-NO
- Contact Form** — X
- Rated Resistive Load @ 320 Vdc** — 90 A
- Continuous Current Carry, Max., 85°C** — 90 A
- Overload (Make/Break) @ 320 Vdc** — 350
- Load Life @ 270 Vdc, Min.** — 25,000 cycles
- Contact Resistance, Max.** — 0.002 ohm
- Dielectric at Sea Level** — Power Terminals to Coil and All Other Points — 1,800 Vrms
- Shock, 11ms, 1/2 Sine (Peak)** — 25 g
- Vibration, Sinusoidal (55-2000 Hz, Peak)** — 5 g
- Operating Ambient Temperature Range** — -40°C to +85°C
- Operate Time, Max., Including Bounce @ 25°C** — 35 ms
- Release Time, Max.** — 10 ms
- Bounce Time, Max.** — 8 ms
- Insulation Resistance @ 500 Vdc, Min.** — Initial/End of Life — 100 mohm/50 mohm
- Weight, Nominal** — 454 g (16 oz)

Contact Ratings*



*Ratings for load power make, carry, & break based on data extrapolated from 270 Vdc and 540 Vdc testing with resistive load. Since each application is unique, user is encouraged to verify rating in actual application.

Contact Rating Notes:

1. Maximum continuous current carry = 90A @ T_A, = 85°C
2. Maximum interrupt power = 110kW @ 25μH, across voltage range -0 to 600 Vdc

Coil Data

Volts, Nominal	12 Vdc	24 Vdc	125 Vdc
Pickup, Max. @ 85°C	9.9 Vdc	19.5 Vdc	102 Vdc
Hold, Min. @ 85°C	4.3 Vdc	8.7 Vdc	45 Vdc
Dropout, Min. @ -40°C	0.6 Vdc	1.4 Vdc	6.0 Vdc
Coil Resistance (±10%)	19 Ω	76 Ω	1890 Ω
Energy, Magnetic, Max.	.05 J	.05 J	.05 J

Coil resistance rated at 25°C

For factory-direct application assistance, dial 800-253-4560, ext. 2055, or 805-220-2055.

Ordering Information

Sample Part Number ▶ PD90 X B 5 7

Series: _____

Contact Form: _____

X = SPST-NO, Double Make

Coil Voltage: _____

- A = 12 Vdc, Stud Terminals
- B = 24 Vdc, Stud Terminals
- C = 125 Vdc, Stud Terminals

Power Terminals: _____

5 = Stud Terminals

Mounting: _____

7 = Panel Mount

7
KILOVAC 28-1800 Vdc
Traditional Contactors



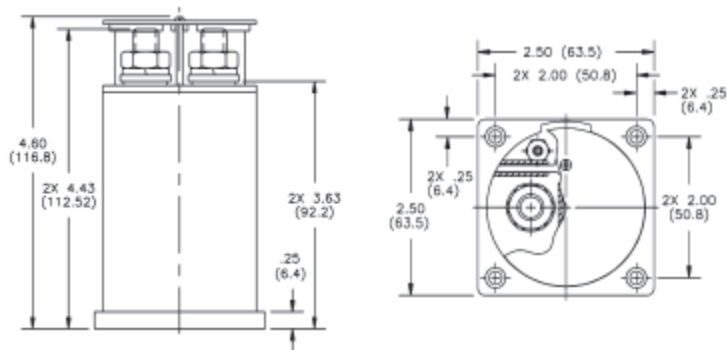
KILOVAC 28-1800 Vdc Traditional Contactors

PD150X - 150 Amps CZONKA Make & Break Load Switching

KILOVAC PD150X — 150 Amps CZONKA Make & Break Load Switching

Product Facts

- Vacuum dielectric for power switching
- 150 A carry, 500 A overload @ 320 Vdc
- Suited for circuit protection, control, and battery switching
- Versatile power, voltage, and current operating range
- Bi-directional switching
- Fast operate and release time
- Low power consumption
- Vacuum-sealed contacts; can operate in harsh environments
- Latching version available, contact Tyco Electronics for more information
- Optimized for power switching

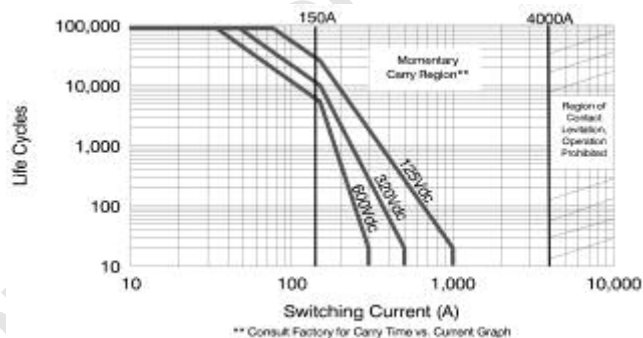


Product Specifications

- Contact Arrangement — SPST-NO
- Contact Form — X
- Rated Resistive Load @ 320 Vdc — 150 A
- Continuous Current Carry, Max., 85°C — 150 A
- Overload (Make/Break) @ 320 Vdc — 500/400 A***
- Load Life @ 320 Vdc, Min. — 10,000 cycles
- Mechanical Life, Min. — 100,000 cycles
- Contact Resistance, Max. — 0.001 ohm
- Dielectric at Sea Level — Power Terminals to Coil and All Other Points — 1,800 Vrms
- Shock, 11ms, 1/2 Sine (Peak) — 25 g
- Vibration, Sinusoidal (55-2000 Hz, Peak) — 5 g
- Operating Ambient Temperature Range — -40°C to +85°C
- Operate Time, Max., Including Bounce @ 25°C — 40 ms
- Release Time, Max. — 10 ms
- Bounce Time, Max. — 8 ms
- Insulation Resistance @ 500 Vdc, Min. — Initial/End of Life — 100 mohm/50 mohm
- Weight, Nominal — 770 g (27 oz)

Note:
***500 A at beginning of life which is 0 to 5,000 cycles, 400 A at end of life which is 5,000 to 10,000 cycles

Contact Ratings*



*Ratings for load power make, carry, & break based on data extrapolated from 270 Vdc and 540 Vdc testing with resistive load. Since each application is unique, user is encouraged to verify rating in actual application.

Contact Rating Notes:

1. Maximum continuous current carry = 150A @ T_A = 85°C
2. Maximum interrupt power = 160kW @ 25µH, across voltage range -0 to 600 Vdc

Coil Data

Volts, Nominal	12 Vdc	24 Vdc	125 Vdc
Max. Coil Voltage	14 Vdc	28 Vdc	145 Vdc
Pickup, Max. @ 85°C	9.9 Vdc	19.5 Vdc	102 Vdc
Hold, Min. @ 85°C	4.3 Vdc	8.7 Vdc	45 Vdc
Dropout, Min. @ -40°C	.6 Vdc	1.4 Vdc	6.0 Vdc
Coil Resistance (±10%)	9.6 Ω	52 Ω	960 Ω
Energy, Magnetic, Max.	.10 J	.10 J	.10 J

Coil resistance rated at 25°C

Ordering Information

Sample Part Number ► PD150 X B 5 7

Series: _____

Contact Form: _____
X = SPST-NO, Double Make

Coil Voltage: _____
A = 12 Vdc, Stud Terminals
B = 24 Vdc, Stud Terminals
C = 125 Vdc, Stud Terminals

Power Terminals: _____
5 = Stud Terminals

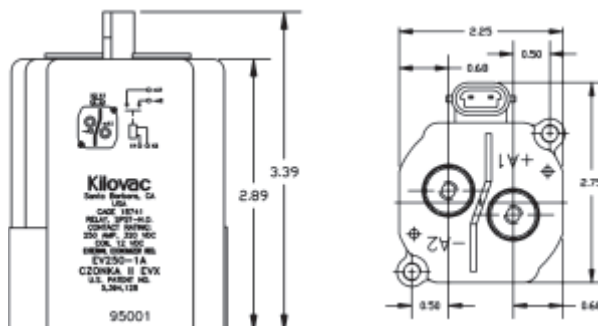
Mounting: _____
7 = Panel Mount

For factory-direct application assistance, dial 800-253-4560, ext. 2055, or 805-220-2055.

EV250-1A & 1B 400 Amps CZONKA-II EVX Make & Break Load Switching

Product Facts

- Hydrogen dielectric for power switching high current loads
- 400 A carry, 2,500 A interrupt @ 320 Vdc
- Suited for circuit protection, control, battery switching, and main power safety disconnect
- Versatile power, voltage, and current operating range: 28-1800 Vdc tested
- Low-cost compact version for volume production applications. Requires external coil economizer (PWM or lower hold voltage)
- "Hammer effect" mechanism breaks light contact welds
- "Super-sealed" environment chamber uniquely protects ALL moving parts
- Can operate in harsh environments
- Moving contact rotates to provide fresh contact surface for low contact resistance and low power consumption
- Sealed control connector. Mating connector with flying leads Part Number 2005 available, see page 7-95
- Logic control enabled by external economizer Part Number 9913
- High temperature (135°C) model with 10 inch flying leads available (-4A — Call Tyco Electronics for sales drawing)
- Bi-directional power switching
- Fast operate and release time

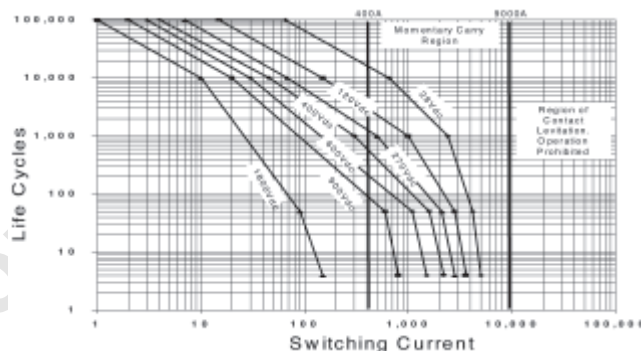


Note: Dimensions in inches. Multiply values by 25.4 for dimensions in mm.

Product Specifications

Contact Arrangement — SPST-NO
Contact Form — X
Continuous Current Carry, Max. — 400 A; 6.5 Minutes — 500 A
Break Current @ 320 Vdc — 2,500 A
Contact Resistance, Max. — 0.0003 ohm
Contact Resistance, Typ. — 0.0001 – 0.0002 ohm
Dielectric at Sea Level (Leakage < 1mA) — 2,200 Vrms
Shock, 11ms, 1/2 Sine (Peak), Operating — 30 g
Vibration, Sinusoidal (80-2000 Hz, Peak) — 20 g
Operating Ambient Temperature Range — -40°C to +85°C
Load Life — See chart on next page
Operate Time, @ 25°C —
Close (Includes Bounce), Typ. — 30 ms
Bounce (After Close Only), Max. — 5 ms
Open (Includes Arcing), Max. — 15 ms
Insulation Resistance @ 500 Vdc, Min. — 100 mohm
Weight, Nominal — 1.54 lb (0.7 kg)

Contact Ratings*



*For circuit conditions and actual data refer to the EV250 hot switch study. Since each application is unique, user is encouraged to verify rating in actual application.

Coil Data***

	EV250-1A	EV250-1B
Voltage, Nominal*	12 Vdc	24 Vdc
Pickup (Close), Max.	8.3 Vdc	16.6 Vdc
Continuous Hold, Max./Min.**	5.1/3.8 Vdc	10.2/7.6 Vdc
Dropout (Open), Min.	0.88 - 3.3 Vdc	2.4 - 6.6 Vdc
Coil Resistance @ 25°C, ±10%	3 Ω	12 Ω
Coil Energy, Max.	0.2 J	0.2 J
Coil Clamping	3 x nom.	3 x nom.

*Do not apply continuously. Requires external coil economizer. Other special coil voltages available upon request.

**At maximum continuous current and maximum ambient temperature. Hold voltage must be maintained within the limits specified to keep contacts closed and to prevent coil overheating.

***Do not use a free wheeling diode or capacitor across the coil.

Ordering Information

Sample Part Number ▶ **EV250-1 A**

Series: _____

Coil Voltage: _____

A = 12 Vdc, Nominal
 B = 24 Vdc, Nominal

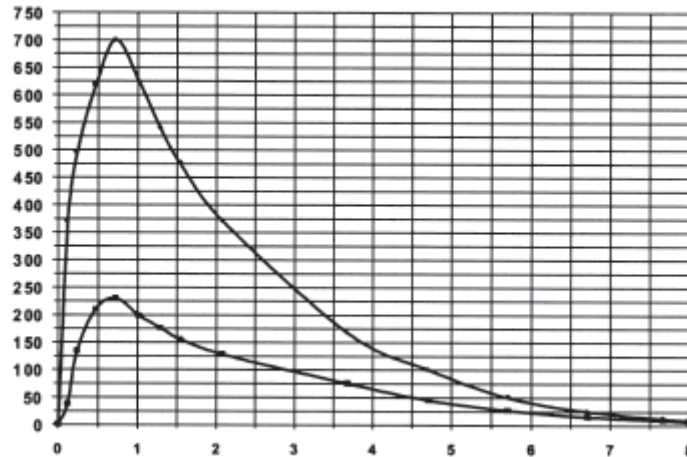
For factory-direct application assistance, dial 800-253-4560, ext. 2055, or 805-220-2055.

For detailed specifications and recommendations, refer to the EV250-1A & B sales drawings.

EV250-1A & 1B 400 Amps CZONKA-II EVX Make & Break Load Switching (Continued)

Current vs Time

CONTACTS CLOSED INTO 70% AND 90% CAPACITOR PRE CHARGE



Life Ratings and Qualification Test Plan

Test #	Normal Operations		Abnormal Operations	
	1	2	3	4
Current	Reference Graph and Test Circuit Diagram (Sht. 8)		-250 A	2500 A
Voltage			320 V	320 V
Load Type	Capacitive	Capacitive	Resistive	Resistive
% Pre Charge	90%	70%	NA	N/A
Switch Mode	Make Only	Make Only	Make/Break	Break Only
Sequence				
1	10K cycles	10 cycles	2	2
2	10K	10	2	—
3	10K	10	2	—
4	10K	10	2	2
5	10K	10	2	—
Etc.	Continue Cycling to Relay Failure			

The testing objective is to verify proper relay function for a given number of consecutive and cumulative cycles under both normal and abnormal conditions in a variety of load switching applications. The life rating of 40K cycles minimum was calculated with 95% Weibull reliability.

**Electrical Data
(Over Temperature Range —
Max. Terminal Temp. = 200°C)**

Make/Break Life for Capacitive & Resistive Loads at 320 Vdc 1,2 —

@ 90% Capacitive Pre-Charge —
50,000 cycles

@ 70% Capacitive Pre-Charge —
50 cycles

@ -250 A (2 Consecutive, Reverse
Polarity) 1 — 10 cycles

@ 3300 A (Break only,
2 Consecutive) 1 — 4 cycles

Mechanical Life — 100,000 cycles

Notes:

1 Resistive load includes inductance
L = 25 µH. Load @ 2500 A tested
@ 200 µH.

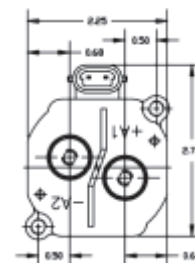
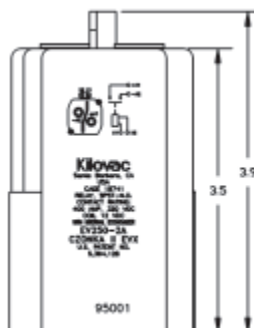
2 Conductor: 2 each of copper
54 mm² (AWG 0) required for
> 250 A carry. 1 Copper (AWG 0)
conductor recommended for
≤ 250 A

For factory-direct application assistance,
dial 800-253-4560, ext. 2055, or
805-220-2055.

EV250-2A & 2B 400 Amps CZONKA II EVX Make & Break Load Switching

Product Facts

- Hydrogen dielectric for power switching high current loads
- 400 A carry, 2,500 A interrupt @ 320 Vdc
- Suited for circuit protection, control, battery switching, and main power safety disconnect
- Versatile power, voltage, and current operating range: 28-1800 Vdc tested
- Internal coil economizer provides:
 - 4W typical hold power independent of temperature & voltage range
 - EMI spectrum tested and approved
 - Built-in coil suppression
- "Hammer effect" mechanism breaks light contact welds
- Hermetically "Super-sealed" environment chamber uniquely protects ALL moving parts
- Can operate in harsh environments
- Moving contact rotates to provide fresh contact surface for low contact resistance and low power consumption
- Sealed control connector. Mating connector with flying leads Part Number 2005 available
- Special versions available:
 - Economical (-8A/B) for light duty power switching (without arc blowout magnets)
 - 10 inch flying leads model (-7A)

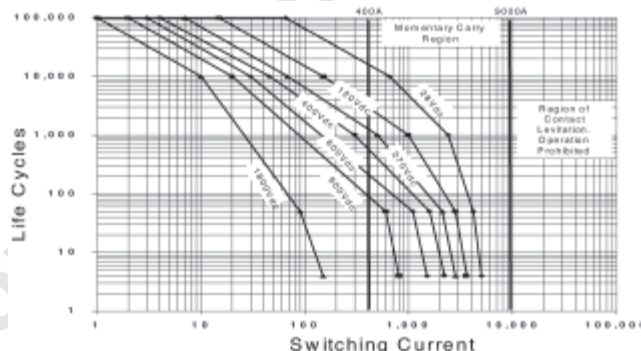


Note: Dimensions in inches. Multiply values by 25.4 for dimensions in mm.

Product Specifications

Contact Arrangement — SPST-NO
Contact Form — X
Continuous Current Carry, Max. — 400 A; 6.5 Minutes — 500 A
Break Current @ 320 Vdc — 2,500 A
Contact Resistance, Max. — 0.0003 ohm
Contact Resistance, Typ. — 0.0001 – 0.0002 ohm
Dielectric at Sea Level (Leakage < 1mA) — 2,200 Vrms
Shock, 11ms, 1/2 Sine (Peak), Operating — 30 g
Vibration, Sinusoidal (80-2000 Hz, Peak) — 20 g
Operating Ambient Temperature Range — -40°C to +85°C
Load Life — See chart on next page
Operate Time, @ 25°C —
Close (Includes Bounce), Typ. — 18 ms
Bounce (After Close Only), Max. — 5 ms
Release Time (Includes Arcing), Max. — 15 ms
Insulation Resistance @ 500 Vdc, Min. — 100 mohm
Weight, Nominal — 1.76 lb (0.8 kg)

Contact Ratings*



*For circuit conditions and actual data refer to the EV250 hot switch study. Since each application is unique, user is encouraged to verify rating in actual application.

Coil Data**

	EV250-2A	EV250-2B
Voltage, Nominal*	12 Vdc	24 Vdc
Pickup (Close), Max.	9 Vdc	18 Vdc
Hold, Min.	7 Vdc	14 Vdc
Dropout (Open), Min.	5 Vdc	10 Vdc
Current (@ VsNom / 25°C)		
Inrush	2.8 A	1.8 A
Holding, Standby	0.34 A	0.11 A
Inrush Time, Max.	200 ms	200 ms

*Other special coil voltages available upon request.

**Do not use a free wheeling diode or capacitor across the coil. Built in suppression limits back EMF to zero volts.

Ordering Information

Sample Part Number ► **EV250 -2 A**

Series: _____

Model: _____
 2 = With Blowout Magnets
 8 = Without Blowout Magnets
 7 = 10" Flying Leads (12 V, with Magnets Only)

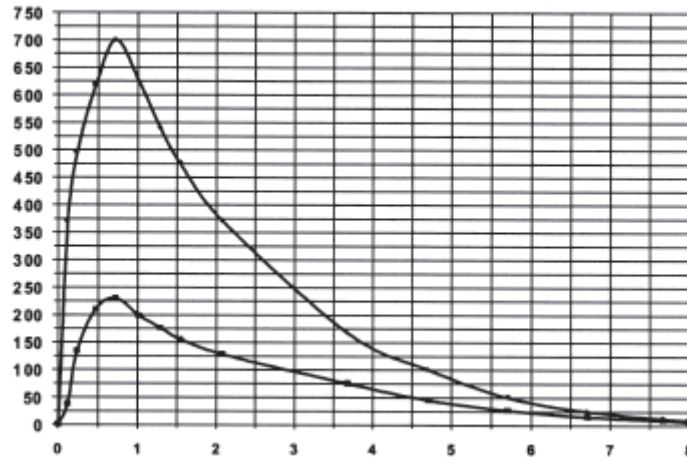
Coil Voltage: _____
 A = 12 Vdc, Nominal
 B = 24 Vdc, Nominal

For detailed specifications and recommendations, refer to the EV250-2A & B or 7A sales drawings.

For factory-direct application assistance, dial 800-253-4560, ext. 2055, or 805-220-2055.

EV250-2A & 2B 400 Amps CZONKA II EVX Make & Break Load Switching (Continued)

CONTACTS CLOSED INTO 70% AND 90% CAPACITOR PRE CHARGE



Life Ratings and Qualification Test Plan

Test #	Normal Operations		Abnormal Operations	
	1	2	3	4
Current	Reference Graph and Test Circuit Diagram (Sht. 8)		-250 A	2500 A
Voltage			320 V	320 V
Load Type	Capacitive	Capacitive	Resistive	Resistive
% Pre Charge	90%	70%	NA	N/A
Switch Mode	Make Only	Make Only	Make/Break	Break Only
Sequence				
1	10K cycles	10 cycles	2	2
2	10K	10	2	—
3	10K	10	2	—
4	10K	10	2	2
5	10K	10	2	—
Etc.	Continue Cycling to Relay Failure			

The testing objective is to verify proper relay function for a given number of consecutive and cumulative cycles under both normal and abnormal conditions in a variety of load switching applications. The life rating of 40K cycles minimum was calculated with 95% Weibull reliability.

**Electrical Data
(Over Temperature Range —
Max. Terminal Temp. = 200°C)**

Make/Break Life for Capacitive & Resistive Loads at 320 Vdc 1,2 —

@ 90% Capacitive Pre-Charge —
50,000 cycles

@ 70% Capacitive Pre-Charge —
50 cycles

@ -250 A (2 Consecutive, Reverse
Polarity) 1 — 10 cycles

@ 3300 A (Break only,
2 Consecutive) 1 — 4 cycles

Mechanical Life — 100,000 cycles

Notes:

1 Resistive load includes inductance
L = 25 µH. Load @ 2500 A tested
@ 200 µH.

2 Conductor: 2 each of copper
54 mm² (AWG 0) required for
> 250 A carry. 1 Copper (AWG 0)
conductor recommended for
≤ 250 A

For factory-direct application assistance,
dial 800-253-4560, ext. 2055, or
805-220-2055.



KILOVAC 28-1800 Vdc Traditional Contactors

EV500 “BUBBA” Contactor 600 Amps, Make & Break Load Switching

Product Facts

- Very high power sealed contactor
- Hydrogen dielectric for power switching high current loads
- Excellent for safety disconnect and transfer switch applications
- Suited for circuit protection control
- Hermetically “Super-sealed” environment uniquely protects contacts and all moving parts; can operate in harsh environments
- 600-1000 A continuous carry, dependent on temperature and conductors used
- 3,300 A interrupt, 1,000 A make, @ 320 Vdc
- 12 and 24 volt coil control options. Call Tyco Electronics for custom options
- 360 kW power switch capable
- 200°C hot power terminals capable
- Bi-directional power switching
- Auxiliary contacts optional
- Built-in dual power coil economizer, 8W holding typical
- Versatile power, voltage, and current operating range: 28-1800 Vdc*

Product Specifications

Contact Arrangement with Auxiliary Contacts —
Form X — SPST-NO
Form A — SPST-NO

Rated Resistive Load @ 270 Vdc, 85°C (Continuous/10 sec) —
600 A/1,600 A

Continuous Current Carry, Max., 25°C ¹ — 750 A

Overload Current @ 320 Vdc, Max. —
Make (Closed Into) — 1,000 A
Break (Open) — 3,300 A

Contact Resistance, Max. —
0.0002 ohm

Dielectric at Sea Level (Leakage < 1mA) —
Open Power Terminal to Terminal — 2,000 Vrms
Closed Power Terminals to All Other Points — 2,000 Vrms

Shock, 11ms, 1/2 Sine (Peak), Operating — 30 g

Vibration, Sinusoidal (80-2000 Hz, Peak) — EV500-5 — 5 g
EV500-4 — 10 g

Operating Ambient Temperature Range — -40°C to +85°C

Load Life (Mechanical/Electrical) ² — See next page

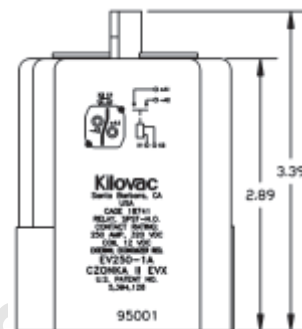
Operate Time @ 25°C —
Close (Includes Bounce), Typ. — 40 ms
Bounce (After Close Only), Max. — 5 ms
Release Time (Includes Arcing), Max. at 2500 A — 20 ms

Insulation Resistance @ 500 Vdc, Min. — 100 mohm

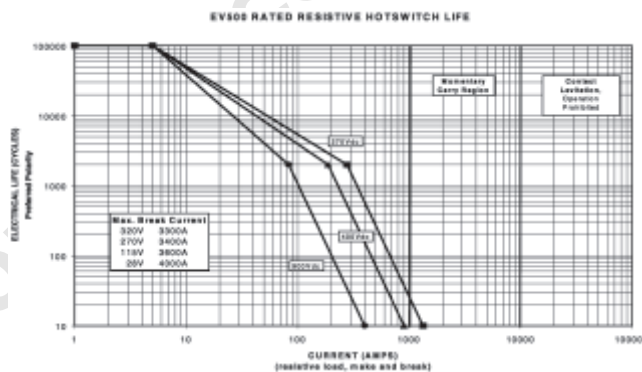
Weight, Nominal — 3.38 lb (1.53 kg)

Notes:

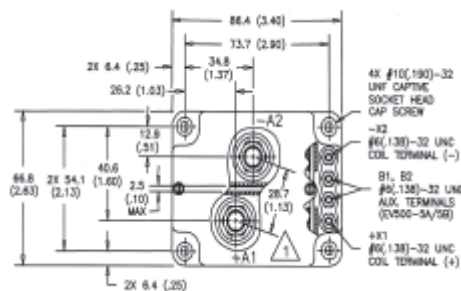
1. Current Carry: 750 A @ 25°C. Derate 2.5 A/°C to 600 A @ 85°C for still air, no heat sink. Reference National Electric Code for specific conductor size recommendation versus current. For > 600 A carry, call Tyco Electronics and request the “EV500 Current Carry study” for additional data.
2. See EV500 sales drawing for complete specifications, including normal capacitive pre-charge make, plus abnormal make and break ratings.



Electrical Life Cycles vs Power Switching



*Failure mode: Dielectric withstand voltage test @ 2000 Vdc, power terminal to terminal, leakage exceeds 1.0 A.



For factory-direct application assistance, dial 800-253-4560, ext. 2055, or 805-220-2055.

Coil Data

	12 V	24 V
Type Driver	2 Coil Electronic	
Volts, Nominal*	12 Vdc	24 Vdc
Pickup (Close), Max.	9.9 Vdc	19.7 Vdc
Hold, Min.	9 Vdc	18 Vdc
Dropout (Open), Min.	2 Vdc	4 Vdc
Current (@ VsNom / 25°C)		
Inrush	3.3 A	1.7 A
Holding, Standby	0.74 A	0.37 A
Inrush Time, Max.	300 ms	300 ms

Ordering Information

Sample Part Number ▶ **EV500 4 A**

Series: _____

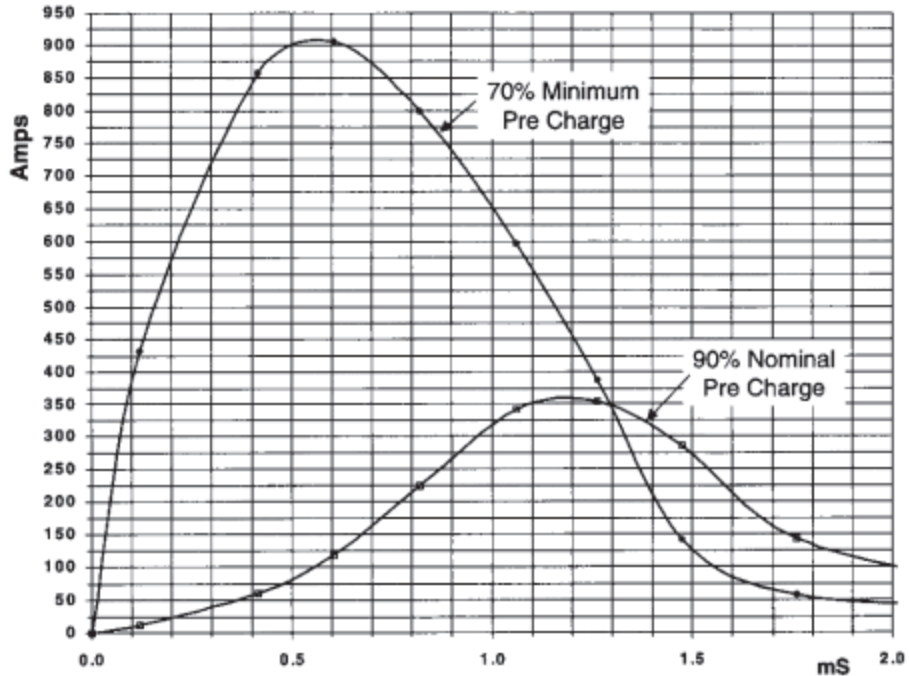
Auxiliary Contacts: _____
4 = Without
5 = With

Coil Voltage: _____
A = 12 Vdc
B = 24 Vdc

Refer to EV500 Sales Drawing for complete specifications.

EV500 “BUBBA” Contactor 600 Amps, Make & Break Load Switching (Continued)

Current vs Time



Life Ratings and Qualification Test Plan

Test #	Normal Operations		Abnormal Operations	
	1	2	3	4
Current	Reference Graph and Test Circuit Diagram (Sht. 8)		-250 A	3300 A
Voltage			320 V	320 V
Load Type	Capacitive	Capacitive	Resistive	Resistive
% Pre Charge	90%	70%	NA	N/A
Switch Mode	Make Only	Make Only	Make/Break	Break Only
Sequence				
1	10K cycles	10 cycles	2	2
2	10K	10	2	—
3	10K	10	2	—
4	10K	10	2	2
5	10K	10	2	—
Etc.	Continue Cycling to Relay Failure			

The testing objective is to verify proper relay function for a given number of consecutive and cumulative cycles under both normal and abnormal conditions in a variety of load switching applications. The life rating of 40K cycles minimum was calculated with 95% Weibull reliability.

**Electrical Data
(Over Temperature Range —
Max. Terminal Temp. = 200°C)**

Make/Break Life for Capacitive & Resistive Loads at 320 Vdc 1,2 —

© 90% Capacitive Pre-Charge —
50,000 cycles

© 70% Capacitive Pre-Charge —
50 cycles

© -250 A (2 Consecutive, Reverse
Polarity) 1 — 10 cycles

© 3300 A (Break only,
2 Consecutive) 1 — 4 cycles

Mechanical Life — 100,000 cycles

Notes:

1 Resistive load includes inductance
L = 25 µH.

2 Testing is limited at this time.
Consult Tyco Electronics for official
ratings.

For factory-direct application assistance,
dial 800-253-4560, ext. 2055, or
805-220-2055.



KILOVAC 28-1800 Vdc Traditional Contactors

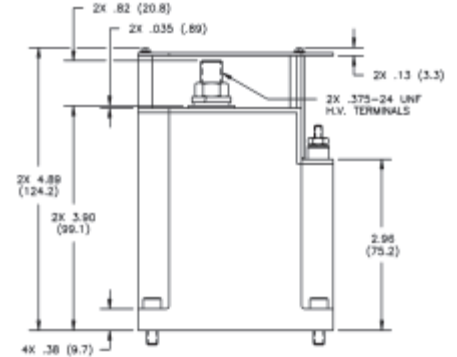
PD350X - 500 Amps "BUBBA" Contactor, Make & Break Load Switching

Product Facts

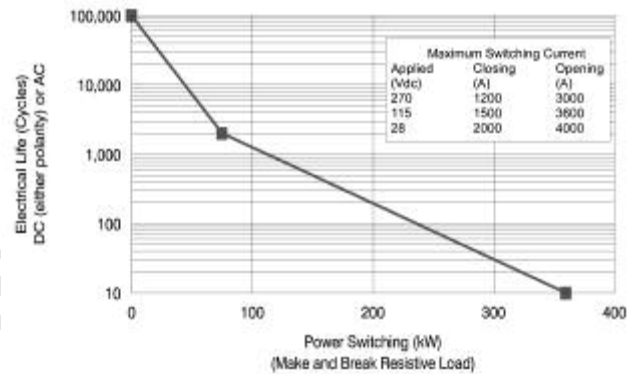
- 500 A carry, 1300 A make overload, 3000 A break overload, @ 320 Vdc
- Hydrogen dielectric for power switching high current loads
- Auxiliary contacts
- Coil power economizing — 8 W holding
- Versatile power, voltage, and current operating range
- Excellent for safety disconnect and transfer switch applications
- Suited for circuit protection and control
- Bi-directional power switching
- Hermetically-sealed contacts; can operate in harsh environments
- Fast operate and release time
- Low power consumption

Product Specifications

Contact Arrangement — Form X — SPST-NO
Auxiliary Contact (28 Vdc, 0.1 A) — SPST-NO
Rated Resistive Load @ 320 Vdc — 300 Amps @85°C
Continuous Current Carry, Max. @ 50°C — 500 A
Overload Current @ 320 Vdc — Make — 1,300 A
 Break — 3,300 A
Load Life, @ 320 Vdc, Min. — See chart at right
Contact Resistance, Max. — End of Life — 0.0002 ohm
Dielectric at Sea Level — Power Terminals to Coil and All Other Points — 1,800 Vrms
Shock, 11ms, 1/2 Sine (Peak) — 30 g
Vibration, Sinusoidal (55-2000 Hz, Peak) — 5 g
Operating Ambient Temperature Range — -40°C to +85°C
Operate Time, Including Bounce, Max., 25°C — 40 ms
Release Time, Max. — 20 ms
Bounce Time, Max. — 5 ms
Insulation Resistance @ 500 Vdc, Min. — Initial — 100 mohm
 End of Life — 50 mohm
Weight, Nominal — 3.4 lb (1.52 kg)



Electrical Life Cycles vs Power Switching



*Failure Mode: Dielectric withstand voltage test @ 2000 Vdc, power terminal to terminal, leakage exceeds 1.0 mA. Current carry: 500 A @ 25°C. Derate 2.5 A/°C to 350 A @ 85°C for still air, no heat sink, AWG# 00 conductor.

For factory-direct application assistance, dial 800-253-4560, ext. 2055, or 805-220-2055.

Contact Rating Notes:

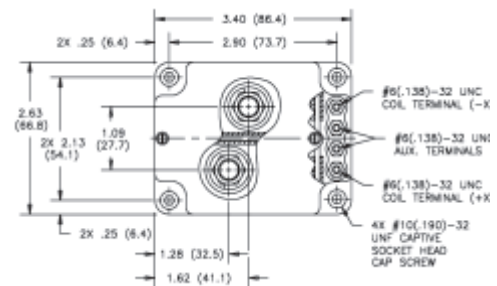
1. Maximum continuous current carry = 500A @ 25°C = T_A, derate 5A/°C for higher temp.
2. Maximum interrupt power (break only) = 1 MW @ 200mH inductance.

Coil Data

Volts, Nominal	12 V	24 V
Pickup, Max. @ 65°C	9.9 Vdc	19.7 Vdc
Hold, Max. @ 65°C	8.5 Vdc	17 Vdc
Dropout, Min. @ -35°C	1.2 Vdc	2.4 Vdc
Coil Power** 25°C		
During Pickup (300 ms)	43 W	43 W
While Holding	8 W	8 W
Energy, Magnetic, Max.***	.26 J	.26 J

**Two coils are employed for power economizing subsequent to pickup. During pickup both coils operate in parallel drawing 43 Watts momentarily. After pickup, the electronic economizing system leaves only the holding coil on, drawing 8 Watts @ 25°C. Economizing system includes transient voltage suppression.

***Coil energy absorbed internally -4x nominal voltage.



Ordering Information

Sample Part Number ▶ PD350 X B 5 7

Series: _____

Contact Form: _____
X = SPST-NO, Double Make

Coil Voltage: _____
A = 12 Vdc, Stud Terminals
B = 24 Vdc, Stud Terminals

Power Terminals: _____
5 = Stud Terminals

Mounting: _____
7 = Panel Mount, Captive Bolts

High Voltage Relays Quick Reference Guide

Contact Voltage Vdc	Isolation Voltage Vdc	Carry Current (Amps DC)	Power Switching	RF Ratings	Contact Form	Part Number Series
270 Vdc Aerospace	2000	5	Yes	No	SPST-NO	AP5A
	2000	5	Yes	No	SPST-NC	AP5B
	2000	5	Yes	No	SPDT	AP5C
	2000	10	Yes	No	SPST-NO	AP10A
	2000	10	Yes	No	SPST-NC	AP10B
	2000	10	Yes	No	SPDT	AP10P
	2000	15	Yes	No	SPST-Latch	AP44P
	28 Vdc to 1800 Vdc	1800	5	Yes	No	SPST-NO
1800		5	Yes	No	SPST-NC	PD5B
1800		10	Yes	No	SPST-NO	PD10A
1800		10	Yes	No	SPST-NC	PD10B
1800		10	Yes	No	SPST-Latch	PD10P
2.0 kV	2000	6	Carry Only	Yes	SPST-NO	S06CBA
	2000	15	Yes	Yes	SPDT	K45C
3.0 kV	3000	2	Carry Only	No	SPST-NO	S02DNA
	3500	8	Make Only	No	SPDT	HC-5
3.5 kV	3500	15	Yes	Yes	SPDT	HC-3*
	3500	25	Carry Only	Yes	SPDT	HC-1
	5000	8	Carry Only	No	SPST-NO	S06FNA218
5.0 kV	5000	30	Yes	Yes	SPST-NO	K41A
	5000	30	Yes	Yes	SPST-NC	K41B
	5000	30	Yes	Yes	SPDT	K41C
	5000	25	Yes	Yes	SPST-Latch	K41P
	5000	25	Yes	Yes	SPDT-Latch	K41R
	5000	35	Yes	Yes	SPST-Latch	K40P
7.0 kV	7000	6	Carry Only	Yes	SPST-NO	S06HBA
7.5 kV	7500	10	Make Only	No	DPDT	KM-13
	7500	10	Make Only	No	DPDT	KM-17
8.0 kV	8000	6	Carry Only	No	SPST-NC	S06JNB
	8000	8	Make Only	No	SPDT	HC-6
	8000	10	Yes	Yes	DPDT	H-18
	8000	12	Yes	Yes	SPST-NO	K47A
	8000	12	Yes	Yes	SPST-NC	K47B
	8000	15	Yes	No	SPDT	HC-4
	8000	25	No	No	SPDT	HC-2
	8000	50	Yes	Yes	SPST-Latch	K44P

*Consult factory for load switching level.

For factory-direct application assistance,
dial 800-253-4560, ext. 2055, or
805-220-2055.



KILOVAC High Voltage Relays

KILOVAC High Voltage Relays Quick Reference Guide (Continued)

Contact Voltage Vdc	Isolation Voltage Vdc	Carry Current (Amps DC)	Power Switching	RF Ratings	Contact Form	Part Number Series
10 kV	10000	5	Yes	No	SPST-NO	S05LTA
	10000	5	Yes	No	SPST-NC	S05LTB
	10000	5-30	Special	No	SPST-NO	K81A
	10000	5-30	Special	No	SPST-NC	K81B
	10000	5-30	Special	No	SPDT	K81C
	10000	25	Special	Yes	SPST-NO	K43A
	10000	25	Special	Yes	SPST-NC	K43B
	10000	25	Special	Yes	SPDT	K43C
	10000	24	Special	Yes	SPDT-Latch	K43R
	10000	24	Special	Yes	SPST-Latch	K43P
12 kV	12000	30	Yes	Yes	DPDT	H-14
	12000	30	Yes	Yes	DPDT	H-16
15 kV	15000	5	Yes	No	SPST-NO	S05MTA
	15000	12	Make Only	No	SPDT	KC-15
	15000	12	Make Only	No	SPDT	KC-16
	15000	15	Yes	Yes	SPDT	H-8
	15000	15	Yes	No	SPDT	KC-14
	15000	15	Yes	No	SPDT	KC-18
	15000	30	Yes	No	SPDT	KC-12
	15000	30	Carry Only	Yes	4PDT	H-26
	15000	30	Yes	No	SPDT	KC-8
	15000	50	Carry Only	Yes	SPDT	KC-2
20 kV	15000	50	Carry Only	Yes	SPDT	KC-11
	20000	30	Special	Yes	DPDT	H-19
25 kV	25000	15	Make Only	No	SPST-NC	KC-38
	25000	18	Special	No	SPST-NO	K62A
	25000	18	Special	No	SPST-NC	K62B
	25000	18	Special	No	SPDT	K62C
	25000	30	Special	Yes	SPDT	H-17
	25000	30	Make Only	No	SPST-NO	KC-28
	25000	45	Special	No	SPST-NC	KC-32
	25000	55	Carry Only	Yes	SPST-NC	KC-30
	25000	65	Special	No	SPST-NO	KC-22
	25000	110	Carry Only	Yes	SPST-NO	KC-20
30 kV	30000	30	Special	Yes	SPST-NC	H-23
	30000	30	Special	Yes	SPST-NO	H-24
35 kV	35000	10	Make Only	No	SPDT	K60C
	35000	10	Make Only	No	SPST-NO	K61A
	35000	10	Make Only	No	SPST-NC	K61B
	35000	10	Make Only	No	SPDT	K61C
50 kV	50000	10	Make Only	No	SPDT	K64C
	50000	30	Special	No	SPDT	H-25
70 kV	70000	10	Make Only	No	SPST-NO	K70A
	70000	10	Make Only	No	SPST-NC	K70B
	70000	10	Make Only	No	SPDT	K70C

*Consult factory for load switching level.

For factory-direct application assistance,
dial 800-253-4560, ext. 2055, or
805-220-2055.

AP5/AP10 Relays

Product Facts

- AP5 make and break 5 A; AP10 make and break 10 A @ 270 Vdc
- 20 A overload rating
- Latching actuator available for low power consumption
- Ideal for applications from 28 to 1000 Vdc
- Small size and weight
- Wide variety of mounting styles (see pages 54 and 55)
- No heat sinks required
- 2000 V isolation across open contacts
- Vacuum-sealed contacts; can operate in harsh environments
- Qualified to SAE ARD 50031
- Space-rated version built in accordance with customers SCD

AP5A, AP5B, & AP5C Relays — 5 Amps

Product Specifications

Contact Arrangement —
AP5A — SPST-NO
AP5B — SPST-NC
AP5C — SPDT

Contact Form —
AP5A — A
AP5B — B
AP5C — C

Rated Resistive Load @ 270 Vdc — 5 A*

Continuous Current Carry, Max. — AP5A, AP5B, AP5C — 25 A**

Overload @ 270 Vdc —

AP5A, AP5B — 20 A
AP5C — 10 A

Contact Resistance, Max. — 10 mohm

Dielectric at Sea Level —

Coil to Case — 500 Vrms
All Other Points — 2,000 Vrms

Shock, 11ms, 1/2 Sine (Peak) —

AP5A, AP5B, AP5C — 50 g

Vibration, Sinusoidal (55-2000 Hz, Peak) — 10 g

Operating Ambient Temperature Range — -55°C to +85°C

Load Life @ 270 Vdc, Min. —

AP5A, AP5B — 50,000 cycles
AP5C — 10,000 cycles

Operate Time, Excluding Bounce, Max. —

AP5A, AP5B, AP5C — 7 ms

Release Time, Max. —

AP5A, AP5B, AP5C — 10 ms

Bounce Time, Max. —

AP5A, AP5B, AP5C — 3 ms

Insulation Resistance @ 500 Vdc, Min. —

Initial — 100 mohm

End of Life — 50 mohm

Weight, Nominal —

28 gram (1 oz.)

AP10A, AP10B, AP10P & AP11A Relays — 10 Amps

Product Specifications

Contact Arrangement —
AP10A — SPST-NO
AP10B — SPST-NC
AP10P — SPST Latching

Contact Form —
AP10A — A
AP10B — B
AP10P — P

Rated Resistive Load @ 270 Vdc — 10 A*

Continuous Current Carry, Max. — AP10A, AP10B — 25 A**
AP10P — 30 A**

Vibration, Sinusoidal (55-2000 Hz, Peak) — 10 g

Operating Ambient Temperature Range — -55°C to +85°C

Load Life @ 270 Vdc, Min. —

AP10A — 10,000 cycles
AP10B, AP10P — 7,000 cycles

Operate Time, Excluding Bounce, Max. —

AP10A, AP10B — 7 ms
AP10P — 4 ms

Release Time, Max. —

AP10A, AP10B — 10 ms

AP10P — N/A

Bounce Time, Max. —

AP10A, AP10B — 3 ms

AP10P — 2 ms

Insulation Resistance @ 500 Vdc, Min. —

Initial — 100 mohm

End of Life — 50 mohm

Weight, Nominal —

28 gram (1 oz.)

Notes:

*The load terminals should always be connected as follows: Common Contact +; Other Contact -.

**10 amps for PC board connection.

Coil Data

Volts, Nominal	12	28	28 ²	120
Pickup, Max. ¹	10 Vdc	20 Vdc	16 Vdc	85 Vdc
Dropout, Min.	.3-6 Vdc	.7-12 Vdc	N/A	5-55 Vdc
Coil Resistance (±10%)	53 Ω	290 Ω	80 Ω	4700 Ω

Coil resistance rated at 25°C

Notes:

1. Value for AP5C is 24 for 28 Vdc coil & 100 for 120 Vdc coil
2. Latching

For factory-direct application assistance, dial 800-253-4560, ext. 2055, or 805-220-2055.

Ordering Information

Sample Part Number ▶

AP5 C 3 4 5

Series: _____

Contact Form: _____

A = SPST-NO B = SPST-NC C = SPDT

P = SPST Latching

Coil Voltage: _____

- 2 = 12Vdc, Bus Wire/PC Board
- 3 = 28 Vdc, Bus Wire/PC Board
- 5 = 120 Vdc, Bus Wire/PC Board
- 7 = 12 Vdc, Turret Terminals
- 8 = 28 Vdc, Turret Terminals
- 9 = 120 Vdc, Turret Terminals
- A = 12 Vdc, Stud Terminals, Panel Mount
- B = 28 Vdc, Stud Terminals, Panel Mount
- C = 120 Vdc, Stud Terminals, Panel Mount

Power Terminals: _____

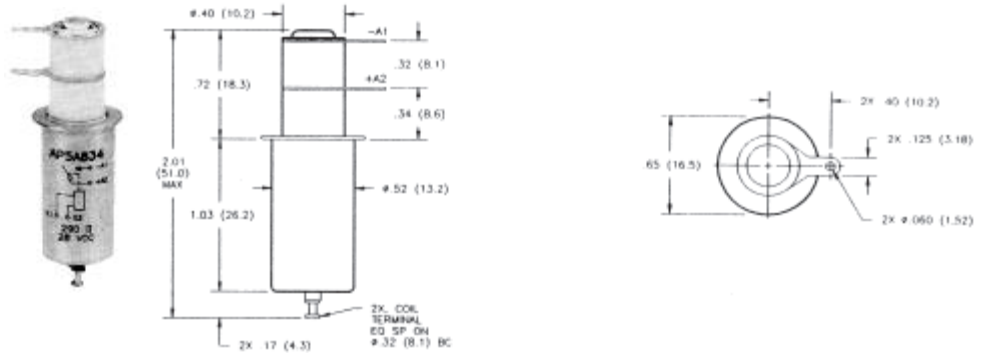
- 3 = Solder Connection/PC Board 4 = Flying Leads
- 5 = Stud Terminals, Panel Mount

Mounting: _____

- 2 = Flanged Mount 4 = Through Chassis Mount
- 5 = PCB Mount 7 = Panel Mount

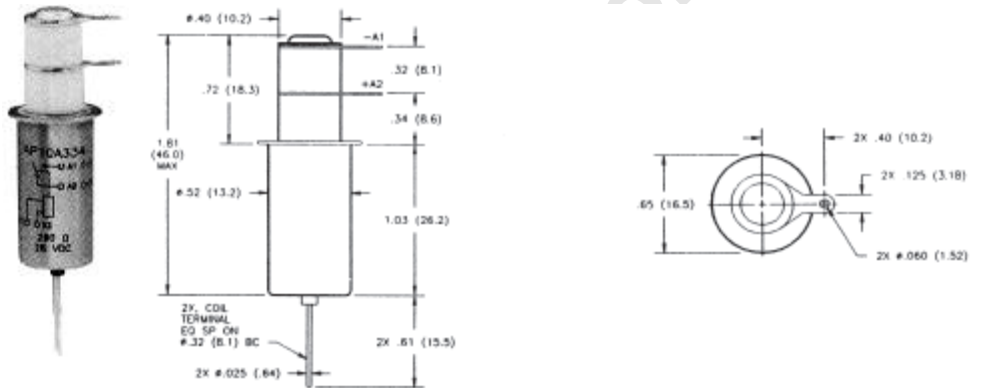
AP5/AP10 Relays (Continued)

Through chassis style mounting with solder type power terminals and turret coil terminals (Available in forms A, B, & C)



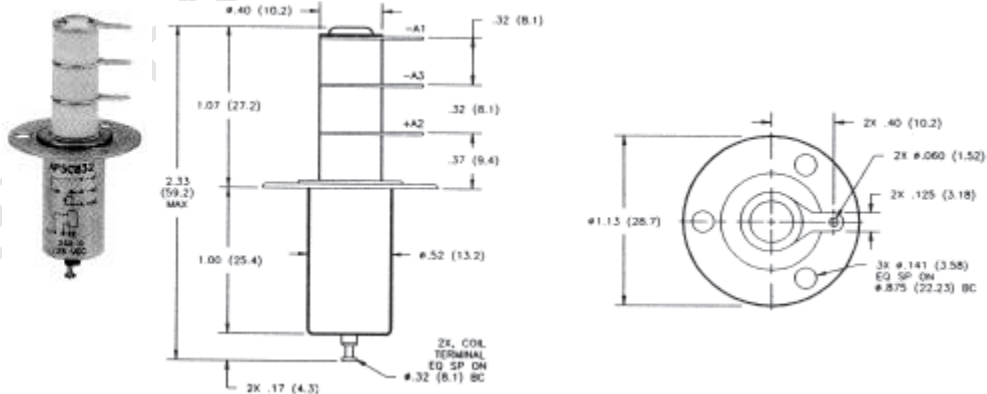
AP5A834 Shown as Part Number Sample

Through chassis style mounting with solder type power terminals and bus wire coil leads (Available in forms A, B, C, P)



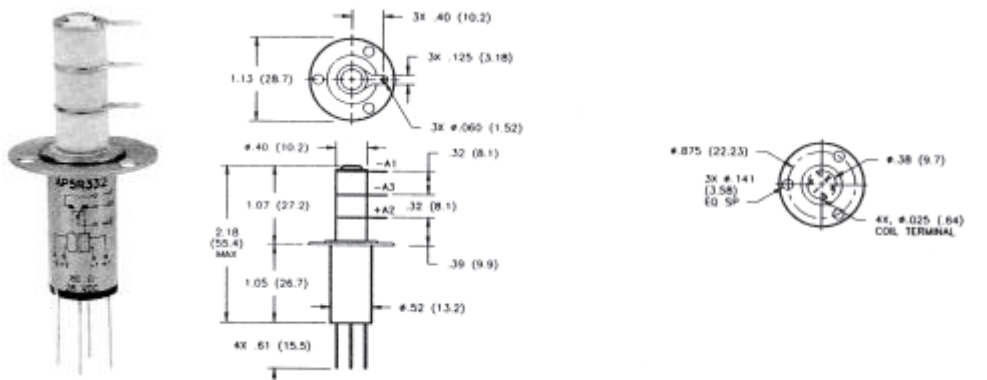
AP10A334 Shown as Part Number Sample

Flanged style mounting with solder type power terminals and turret coil terminals (Available in forms A, B, & C)



AP5C832 Shown as Part Number Sample

Flanged style mounting with solder type power terminals and bus wire coil leads (Available in forms A, B, C, P)



AP5C332 Shown as Part Number Sample

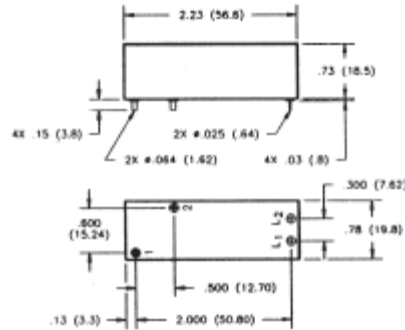
For factory-direct application assistance, dial 800-253-4560, ext. 2055, or 805-220-2055.

AP5/AP10 Relays (Continued)

PC board style mounting with PC board terminals (Available in forms A, B, & C)



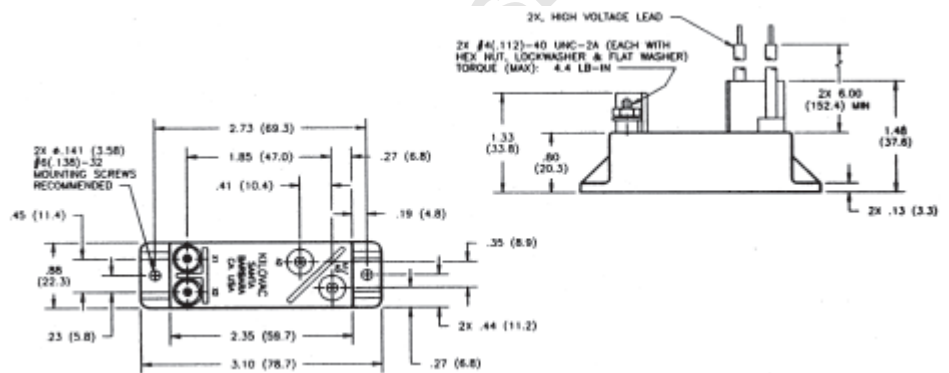
AP10A335 Shown as Part Number Sample



Panel style mounting with flying power leads and stud terminals (Available in forms A & B)



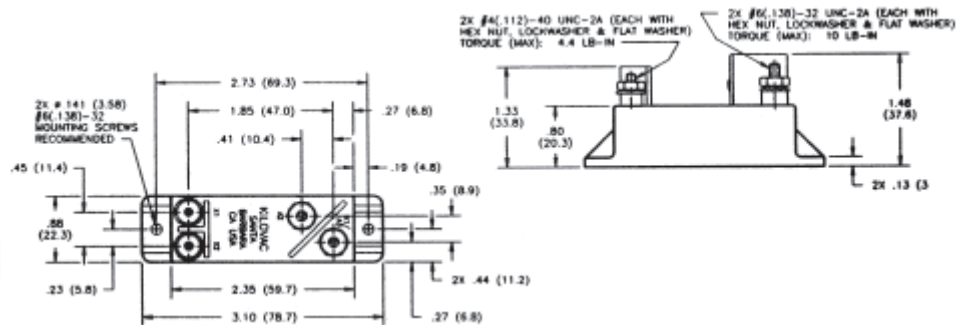
AP10AB47 Shown as Part Number Sample



Panel style mounting with stud terminals (Available in forms A & B)



AP10AB57 Shown as Part Number Sample

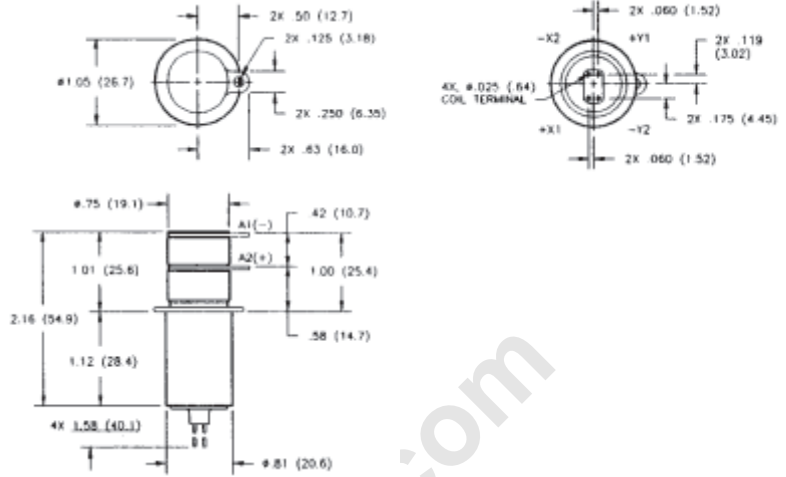


For factory-direct application assistance, dial 800-253-4560, ext. 2055, or 805-220-2055.

AP44P — 15 Amps

Product Facts

- 15 A make and break @ 270 Vdc
- 45 A carry
- 60 A overload rating
- Ideal for high voltage applications from 28 to 270 Vdc
- Latching actuator for low power consumption
- 2000 V isolation across open contacts
- Small size and weight
- Space-rated version built in accordance with customers SCD
- Meets many requirements of MIL-PRF-32085



Product Specifications

Contact Arrangement — SPST Latching

Contact Form — P

Rated Resistive Load @ 270 Vdc — 15 A*

Continuous Current Carry, Max. — 45 A

Overload @ 270 Vdc — 60 A

Contact Resistance, Max. — 10 mohm

Dielectric at Sea Level —
Coil to Case — 500 Vrms
All Other Points — 2,000 Vrms

Shock, 11ms, 1/2 Sine (Peak) — 50 g

Vibration, Sinusoidal (55-2000 Hz, Peak) — 15 g**

Operating Ambient Temperature Range — -55°C to +85°C

Load Life @ 270 Vdc, Min. — 5,000 cycles

Operate Time, Excluding Bounce, Max. — 2 ms

Release Time, Max. — N/A

Bounce Time, Max. — 3 ms

Latch/Reset Time, Including Bounce, Max. — 5 ms

Insulation Resistance @ 500 Vdc, Min. —

Initial — 100 mohm
End of Life — 50 mohm

Weight, Nominal — 43 gram (1.5 oz.)

Notes:

*The load terminals should always be connected as follows: Common Contact +; Other Contact -.

Coil Data

AP44P	28 Latching
Latch, Max.	22 Vdc
Reset, Max.	22 Vdc
Coil Resistance (±10%)	80 Ω

Coil resistance rated at 25°C

Ordering Information

Sample Part Number ▶

Series: _____

Contact Form: _____

P = SPST Latching

Coil Voltage: _____

3 = 28 Vdc, Bus Wire

Power Terminals: _____

3 = Solder Connection

Mounting: _____

4 = Standard

AP44 P 3 3 4

For factory-direct application assistance, dial 800-253-4560, ext. 2055, or 805-220-2055.

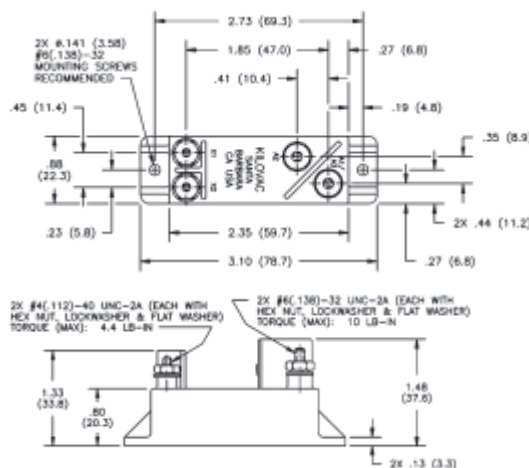
PD10 Make & Break Load Switching

Product Facts

- Excellent for control applications
- PCB and panel mountings
- Rugged design for the most demanding applications, including seismic shock
- Small size and weight
- Low power consumption
- No heat sinks required
- Vacuum-sealed; can operate in explosive and harsh environments
- 2000 V isolation across open contacts
- Vacuum dielectric for power switching



Panel mount version shown above is applicable to both PD5 and PD10. For PD10, the two power terminals are .064" (1.63) diameter. Refer to PD5 for PCB mount dimensions.



Product Specifications

Contact Arrangement —

- PD10A — SPST-NO
- PD10B — SPST-NC
- PD10P*** — SPST-Latching

Contact Form —

- PD10A — A**
- PD10B — B**
- PD10P*** — P**

Rated Resistive Load @ 320 Vdc —

- 10 A
- PD10A and PD10B — 25 A
- PD10P*** — 30 A

Continuous Current Carry, Max. @ 85°C —

- PD10A and PD10B — 25 A
- PD10P*** — 30 A

Overload @ 320 Vdc, (Make/Break) —

- 20 A

Life, (Mechanical/Rated Load) —

- PD10A and PD10B — 500k cycles/10k cycles
- PD10P*** — 7,000 cycles

Contact Resistance, Max., End of Life —

- PD10A and PD10B — 0.010 ohm
- PD10P*** — 0.030 ohm

Dielectric at Sea Level —

- Power Terminals to Coil and All Other Points — PD10A and PD10B — 1,800 Vrms
- PD10P*** — 2,000 Vrms

Shock, 11ms, 1/2 Sine (Peak) —

- 25 g

Vibration, Sinusoidal (55-2000 Hz, Peak) —

- 5 g

Operating Ambient Temperature Range —

- PD10A and PD10B — -40°C to +85°C
- PD10P*** — -35°C to +65°C

Operate Time, Max., Including Bounce @ 25°C —

- PD10A and PD10B — 10 ms
- PD10P*** — 6 ms

Release Time, Max., Including Bounce @ 25°C —

- PD10A and PD10B — 10 ms
- PD10P*** — 6 ms

Insulation Resistance @ 500 Vdc, Min. —

- Initial/End of Life — 100 mohm/50 mohm

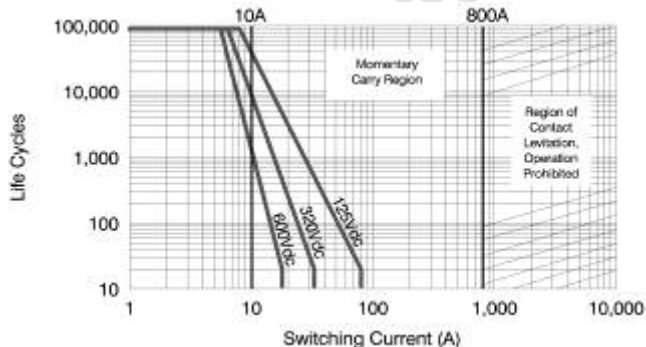
Weight, Nominal —

- 71 g (.156 lb)

Notes:
**Contact Tyco Electronics for availability of other contact forms
***Not available in package shown, package is the same as the K41P.

For factory-direct application assistance, dial 800-253-4560, ext. 2055, or 805-220-2055.

Contact Ratings*



*Based on extrapolated data. Since each application is unique, user is encouraged to verify rating in actual application. The load terminals should always be connected as follows: Common Contact (A2) positive; Other Contact negative.

Coil Data

Nominal Volts DC	12 Vdc	24 Vdc	125 Vdc
Max. Coil Voltage	14 Vdc	28 Vdc	130 Vdc
Pickup, Max. @ 85°C	8 Vdc	16 Vdc	80 Vdc
Hold, Min. @ 85°C	3.3 Vdc	10 Vdc	33 Vdc
Dropout, Min. @ -40°C	.5 Vdc	1 Vdc	5 Vdc
Coil Resistance (±10%)	70 Ω	290 Ω	4700 Ω

Ratings listed are for 25°C, sea level conditions

Ordering Information

Sample Part Number ▶ PD10 A A 5 7

Series: _____

Contact Form: _____
 A = SPST-NO
 B = SPST-NC
 P = SPST-Latching

Coil Voltage: _____
 2 = 12 Vdc, PCB Version 3 = 24 Vdc, PCB Version
 5 = 125 Vdc, PCB Version
 A = 12 Vdc, Panel Mount Version
 B = 24 Vdc, Panel Mount Version
 C = 125 Vdc, Panel Mount Version

Power Terminals: _____
 3 = PCB Solder Connection
 5 = Stud Terminal, Panel Mount

Mounting: _____
 5 = PCB Mount 7 = Panel Mount

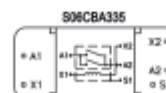
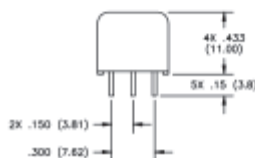
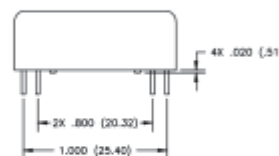
7
KILOVAC 28-1800 Vdc
High Voltage Relays

S06 Series No Load Switching — 1.5 - 2 kV Relays

S06CBA335

Product Facts

- Small size, high performance relays
- Vacuum dielectric for low leakage current applications
- RF ratings to 30 MHz
- SPST normally open contacts



Product Specifications

- Contact Arrangement** — SPST-NO
- Contact Form** — A
- Voltage Ratings (Peak)** —
Between Contacts — 2 kV
Contacts to Coil — 2 kV
Contacts to Screen — 2 kV
Coil to Screen — .5 kV
- Carry Current, Max.** —
@ DC — 6 A
@ 30 MHz — 6 A
- Contact Resistance** — 0.025 mohm
- Contact Capacitance** —
Between Open Contacts — 0.3 pF
Closed Contacts to Ground — 6 pF

- Operate Time** 4 — 2 ms
- Release Time** 4 — 0.5 ms
- Shock, 11ms, 1/2 Sine (Peak)** — 100 g
- Vibration** —
Peak — 30 g (10 to 2000 Hz)
- Operating Temperature Range** — -20°C to +70°C
- Storage Temperature Range** — -35°C to +110°C
- Insulation Resistance** —
Initial — 10 gigaohms
- Mechanical Life** — 100 million cycles
- Weight, Nominal** — 6.8 g gram (0.24 oz.)

Notes:

1. Dimensions in parentheses are in millimeters.
2. Pin dimension tolerances are as follows:
Lengths: ± .04 (1.0)
Spacing: ± .006 (.15)
3. Pins A1 and A2 are .028 (.71); pins S1, X1 and X2 are .025 (.63) square
4. Operate and release times are with external diode suppressions, @ 25°C.

Coil Data

Volts, Nominal	24 Vdc
Maximum Voltage	30 Vdc
Pickup, Max.	16 Vdc
Dropout, Max.	4 Vdc
Coil Resistance	1000 Ω
RF Screen, Inner	Pin # S1
RF Screen, Outer	N/A
EM Shield	N/A

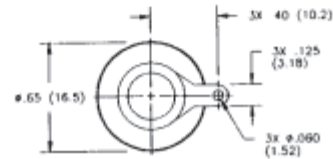
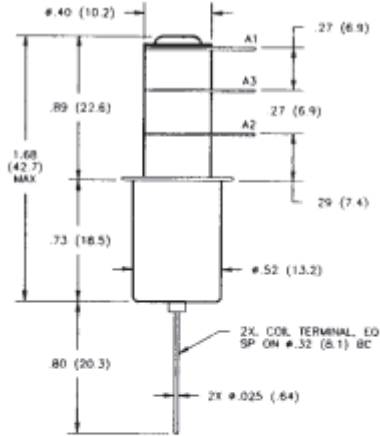
For factory-direct application assistance, dial 800-253-4560, ext. 2055, or 805-220-2055.

K45 Series Make & Break Load Switching — 1.5 - 2 kV Relays

K45C

Product Facts

- Small, low profile 2 kV relay
- Vacuum dielectric for power switching low current loads
- Single pole, double throw contacts
- Widely used in H.F. communication equipment
- Meets requirements of MIL-R-83725
- Low power consumption



Product Specifications

- Contact Arrangement** — SPDT
- Contact Form** — C
- Test Voltage, DC or 60 Hz (Peak)** — 4 kV
- Rated Operating Voltage (Peak)** — DC or 60 Hz — 2 kV
2.5 MHz — 1.8 kV
16 MHz — 1.4 kV
32 MHz — 1.1 kV

- Continuous Carry Current, Max.** — DC or 60 Hz — 20 A
2.5 MHz — 16 A
16 MHz — 10 A
32 MHz — 6 A
Coil Hi-Pot (Vrms, 60 Hz) — 500 A
- Contact Capacitance** — Between Open Contacts — 1.6 pF
Open Contacts to Ground — 2 pF
- Contact Resistance, Max.** — 0.05 ohm
- Operate Time, Max.** — 10 ms
- Release Time, Max.** — 10 ms
- Shock, 11ms, 1/2 Sine (Peak)** — 30 g

- Vibration** — Peak — 10 g (10 to 2000 Hz)
- Operating Ambient Temperature Range** — -55°C to +125°C
- Mechanical Life** — 2 million cycles
- Weight, Nominal** — 21.26 g (0.75 oz.)

Coil Data

Volts, Nominal DC	12 V	26.5 V
Pickup, Max.	8 Vdc	16 Vdc
Hold, Max. @ 65°C	8.5 Vdc	17 Vdc
Dropout	.5-5 Vdc	1-10 Vdc
Coil Resistance (±10%)	230 Ω	920 Ω

Ratings listed are for 25°C, sea level conditions.

Ordering Information

Sample Part Number ▶ **K45 C 3 3 4**

Series: _____

Contact Form: _____
C = SPDT

Coil Voltage: _____
2 = 12 Vdc, Bus Wire
3 = 26.5 Vdc, Bus Wire

High Voltage Connections: _____
3 = Solder Connection

Mounting: _____
2 = Flanged
4 = Standard

See page 7-97 for mounting methods.

For factory-direct application assistance, dial 800-253-4560, ext. 2055, or 805-220-2055.

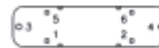
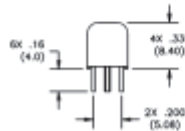
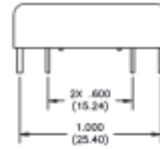
7
KILOVAC 28-1800 Vdc
High Voltage Relays

S02 Series No Load Switching — 3.0 kV Relays

S02DNA

Product Facts

- PC mount form A relay
- Vacuum dielectric for low leakage current applications
- 100 million cycle mechanical life
- 2 amp continuous carry
- Very compact package



1. Overall dimensions are all maximums.
2. Pin dimension are as follows:
Lengths: +/- .04 (1.0)
Spacing: +/- .006 (.15)
3. Pins 3 and 4 are .032 (.80), max; pins 1,2,5 and 6 are .025 (.63) square.

Product Specifications

- Contact Arrangement** — SPST-NO
- Contact Form** — A
- Voltage Ratings Between Contacts (Peak)** — 3 kV
- Current Carry, @ DC** — 2 A
- Contact Resistance** — 0.100 ohm
- Contact Capacitance** —
Between Open Contacts — 1.5 pF
Closed Contacts to Ground — 6 pF
- Operate and Release Time** — 1 ms
- Shock, 11ms, 1/2 Sine (Peak)** — 100 g

- Vibration** —
Peak — 30 g (10 to 2000 Hz)
- Operating Temperature Range** — -20°C to +70°C
- Storage Temperature Range** — -35°C to +110°C
- Insulation Resistance** —
Initial — 10 gigaohms
- Mechanical Life** — 100 million cycles
- Weight, Nominal** — 5.1 g (0.18 oz.)

Coil Data

Volts, Nominal DC	5 V	12 V	24 V
Pickup, Max.	3.7 Vdc	9 Vdc	20 Vdc
Dropout	.5 Vdc	1.25 Vdc	3 Vdc
Coil Resistance (±10%)	140 Ω	600 Ω	1,000 Ω

Ordering Information

- Sample Part Number** ▶ S02DN A 3 3 5
- Series:** _____
- Contact Form:** _____
A = SPST-NO
- Coil Voltage:** _____
1 = 5 Vdc 2 = 12 Vdc 3 = 24 Vdc
- High Voltage Connections:** _____
3 = Solder Connection
- Mounting:** _____
5 = PC Mount

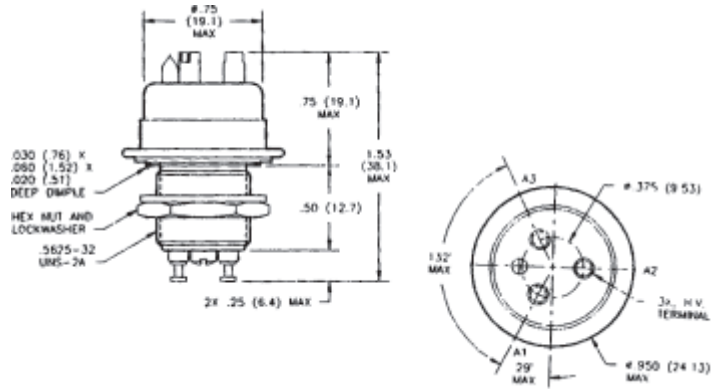
For factory-direct application assistance, dial 800-253-4560, ext. 2055, or 805-220-2055.

HC Series — 3.5 kV Relays

HC-1
No Load Switching
HC-3
Make & Break Load Switching

Product Facts for HC-1

- Widely used for RF applications
- Vacuum dielectric for low leakage current applications
- Copper contacts for high current capability
- Not designed for power switching
- Meets requirements of MIL-R-83725
- QPL version available, M83725/5-001



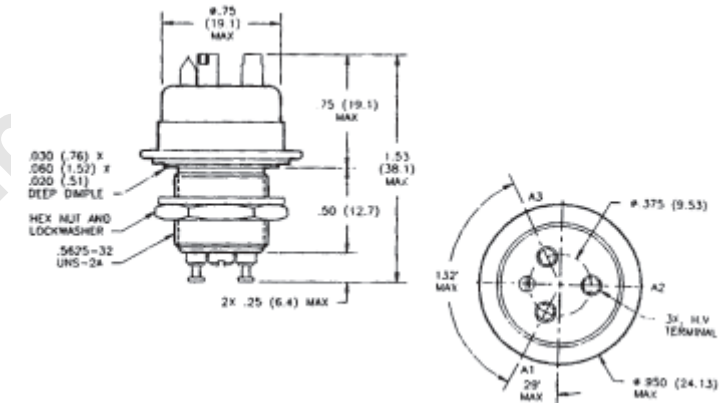
Product Facts for HC-3

- Tungsten contacts for long life when power switching
- Vacuum dielectric for power switching low current loads

For factory-direct application assistance, dial 800-253-4560, ext. 2055, or 805-220-2055.

HC-5
Make Only Load Switching
Product Facts for HC-5

- Gas-filled for "make only" power switching
- SF-6 gas-filled for capacitive discharge applications
- Tungsten contacts for long life when power switching



Product Specifications for HC-1, HC-3 and HC-5

Contact Arrangement — SPDT

Contact Form — C

Test Voltage, DC or 60 Hz (Peak) — 5 kV

Rated Operating Voltage (Peak) —

DC or 60 Hz — 3.5 kV

2.5 MHz — 2.5 kV

16 MHz — 2 kV

32 MHz — 1.5 kV

Continuous Carry Current, Max. —

DC or 60 Hz — HC-1 — 25 A

HC-3 — 18 A

HC-5 — 8 A

2.5 MHz — HC-1 — 14 A

16 MHz — HC-1 — 9 A

32 MHz — HC-1 — 7 A

Coil Hi-Pot (Vrms, 60 Hz) — 500 A

Contact Capacitance —

Between Open Contacts —

HC-1 — 2 pF

Open Contacts to Ground —
HC-1 — 2.5 pF

Contact Resistance, Max. —

HC-1 — 0.01 ohm

HC-3 — 0.02 ohm

HC-5 — 0.50 ohm*

Operate Time, Max. — 6 ms

Release Time, Max. — 6 ms

Shock, 11ms, 1/2 Sine (Peak) — 50 g

Vibration —

Peak — 10 g (55 to 2000 Hz)

Operating Ambient Temperature Range — -55°C to +125°C

Mechanical Life —

HC-1, HC-3 — 2 million cycles

HC-5 — 1 million cycles

Weight, Nominal —

28.35 g (1.0 oz.)

Note:

*Contact resistance for gas-filled relays is measured at 28 Vdc, 1 Amp

Coil Data

Nominal Volts DC	12 Vdc	26.5 Vdc	115 Vdc
Pickup, Max.	8 Vdc	16 Vdc	80 Vdc
Dropout	.5-5 Vdc	1-10 Vdc	5-50 Vdc
Coil Resistance (±10%)	80 Ω	335 Ω	6000 Ω

Ratings listed are for 25°C, sea level conditions

Ordering Information

Sample Part Number ▶ HC- 1 /12Vdc

Series: _____

Model: _____

1

3

5

Coil Voltage: _____

Blank = 26.5 Vdc

/12Vdc = 12 Vdc

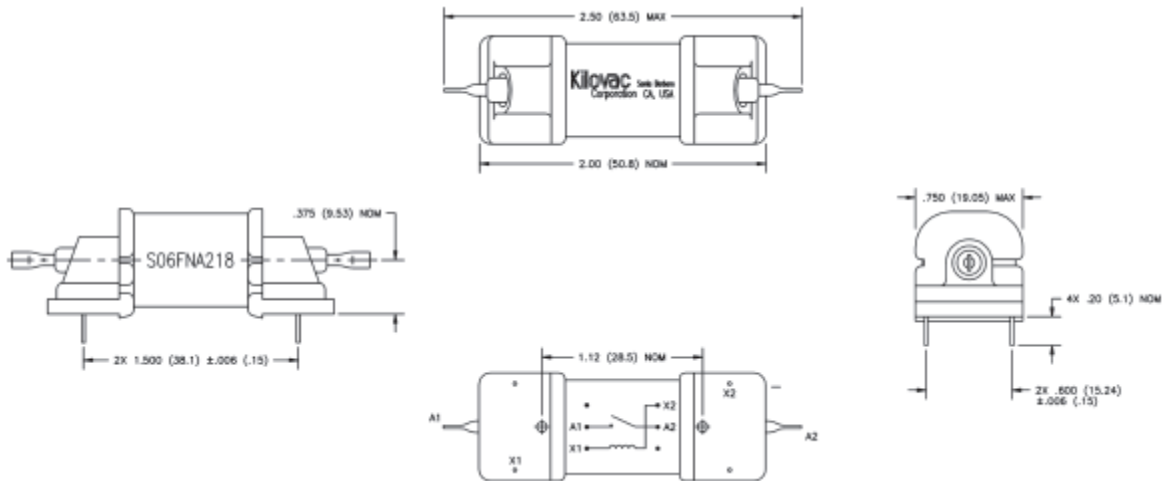
/115Vdc = 115 Vdc

S06 Series No Load Switching — 5.0 kV Relays

S06FNA218

Product Facts

- 8 Amp carry at DC;
6 Amp carry at 30 MHz
- Vacuum dielectric for low leakage current applications
- Highly reliable RF relay
- 100 million cycle mechanical life



Product Specifications

- Contact Arrangement** — SPST-NO
- Contact Form** — A
- Voltage Ratings (Peak)** —
Between Contacts — 5 kV
Contacts to Coil — 5 kV
Contacts to Screen — N/A
Coil to Screen — N/A
- Carry Current, Max.** —
@ DC — 8 A
@ 30 MHz — 6 A
- Contact Resistance** — 0.050 ohm
- Contact Capacitance** —
Between Open Contacts — 0.6 pF
Closed Contacts to Ground — 4 pF

- Operate Time** ⁵ — 3 ms
- Release Time** ⁵ — 1 ms
- Shock, 11ms, 1/2 Sine (Peak)** — 100 g
- Vibration** —
Peak — 20 g (10 to 500 Hz)
- Operating Temperature Range** — -40°C to +85°C
- Storage Temperature Range** — -55°C to +125°C
- Insulation Resistance** —
Initial — 10 gigaohms
- Mechanical Life** — 100 million cycles
- Weight, Nominal** — 24.1 gram (0.85 oz.)

Notes:

1. Dimensions in parentheses are in millimeters.
2. Pin dimensions are .024 [.61] nom. square.
3. Recommended PCB holes: .043 [1.0]
4. RF screens are not included.
5. Operate and release times are with external diode suppression, @ 25°C.

Coil Data

Volts, Nominal	12 Vdc
Maximum Voltage	15 Vdc
Pickup, Max.	8 Vdc
Dropout, Max.	2 Vdc
Coil Resistance	480 Ω
RF Screen, Inner	N/A
RF Screen, Outer	N/A
EM Shield	N/A

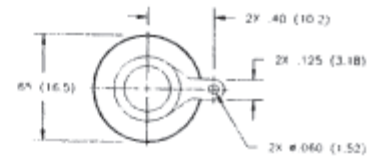
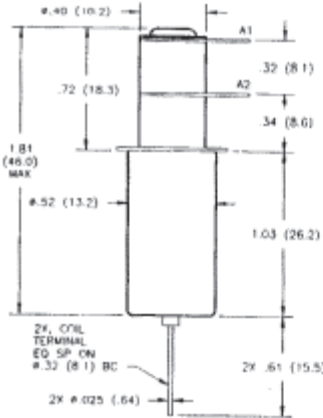
For factory-direct application assistance, dial 800-253-4560, ext. 2055, or 805-220-2055.

K41 Series Make & Break Load Switching — 5.0 kV Relays

K41A, K41B

Product Facts

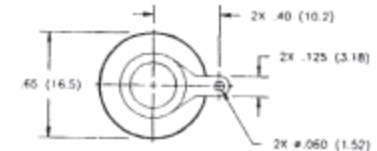
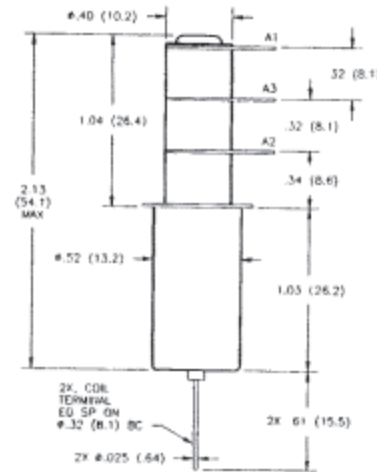
- High current carry rating
- Vacuum dielectric for power switching low current loads
- Glazed ceramics for low current leakage
- Compact, space-saving design
- Meets requirements of MIL-R-83725
- QPL versions available, M83725/21 & M83725/22



K41C

Product Facts

- Single pole, double throw version
- Vacuum dielectric for power switching low current loads
- RF ratings to 32 MHz
- Long life: 2 million cycles
- Meets requirements of MIL-R-83725
- QPL version available, M83725/23



Product Specifications for K41A, K41B and K41C

Contact Arrangement —

- K41A — SPST-NO
- K41B — SPST-NC
- K41C — SPDT

Contact Form —

- K41A — A
- K41B — B
- K41C — C

Test Voltage, DC or 60 Hz (Peak) —
6 kV

Rated Operating Voltage (Peak) —

- DC or 60 Hz — 5 kV
- 2.5 MHz — 4.5 kV
- 16 MHz — 3.5 kV
- 32 MHz — 2.8 kV

Continuous Carry Current, Max. —

- DC or 60 Hz — 30 A
- 2.5 MHz — 24 A
- 16 MHz — 16 A
- 32 MHz — 12 A
- Coil Hi-Pot (Vrms, 60 Hz) — 500 A

Contact Capacitance —

- Between Open Contacts — 1.2 pF
- Open Contacts to Ground — 1.2 pF

Contact Resistance, Max. —

0.02 ohm

Operate Time, Max. — 10 ms

Release Time, Max. — 10 ms

Shock, 11ms, 1/2 Sine (Peak) —

50 g

Vibration —

Peak — 10 g (55 to 2000 Hz)

Operating Ambient Temperature Range —

-55°C to +125°C

Mechanical Life — 2 million cycles

Weight, Nominal —

28.35 g (1.0 oz.)

Coil Data

Nominal Volts DC	12 Vdc	26.5 Vdc	115 Vdc
Pickup, Max.	8 Vdc	16 Vdc	80 Vdc
Dropout	.5-5 Vdc	1-10 Vdc	5-50 Vdc
Coil Resistance (±10%)	70 Ω	290 Ω	4700 Ω

Ratings listed are for 25°C, sea level conditions

Ordering Information

Sample Part Number ▶

Series: _____ **K41** **A** **3** **3** **4**

Contact Form: _____

A = SPST-NO B = SPST-NC C = SPDT

Coil Voltage: _____

- 2 = 12 Vdc, Bus Wire 3 = 26.5 Vdc, Bus Wire
- 5 = 115 Vdc, Bus Wire 7 = 12 Vdc, Turret Terminal*
- 8 = 26.5 Vdc, Turret Terminal*
- 9 = 115 Vdc, Turret Terminal*

High Voltage Connections: _____

3 = Solder Connection

Mounting: _____

2 = Flanged 4 = Standard

For factory-direct application assistance, dial 800-253-4560, ext. 2055, or 805-220-2055.

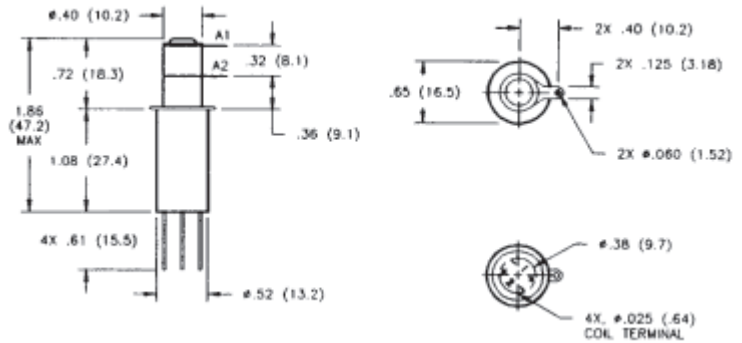
***See page 7-97 for turret terminal dimensions and mounting methods.**

K41 Series Make & Break Load Switching — 5.0 kV Relays

K41P

Product Facts

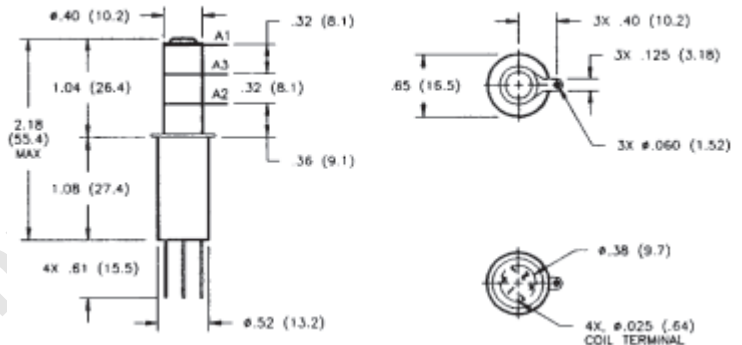
- Fast, 6 millisecond operate time
- Vacuum dielectric for power switching low current loads
- Latching actuator for low power consumption
- Ideal for frequency agile communication systems
- Meets requirements of MIL-R-83725
- QPL version available, M83725/24



K41R

Product Facts

- Latching actuator for low power consumption
- Vacuum dielectric for power switching low current loads
- Meets requirements of MIL-R-83725
- Latching version of K41C



Product Specifications for K41P and K41R

Contact Arrangement —
K41P — SPST-Latching
K41R — SPDT-Latching

Contact Form —
K41P — P
K41R — R

Test Voltage, DC or 60 Hz (Peak) —
6 kV

Rated Operating Voltage (Peak) —
DC or 60 Hz — 5 kV
2.5 MHz — K41P — 4.5 kV
 K41R — 4.0 kV
16 MHz — K41P — 3.5 kV
 K41R — 3.2 kV
32 MHz — K41P — 2.8 kV
 K41R — 2.5 kV

Continuous Carry Current, Max. —
DC or 60 Hz — 30 A
2.5 MHz — K41P — 20 A
 K41R — 16 A
16 MHz — K41P — 13 A
 K41R — 10 A
32 MHz — K41P — 10 A
 K41R — 6 A
Coil Hi-Pot (Vrms, 60 Hz) — 500 A

Contact Capacitance —
Between Open Contacts —
K41P — 1.2 pF
K41R — 1.6 pF
Open Contacts to Ground —
K41P — 1.2 pF
K41R — 1.6 pF

Contact Resistance, Max. —
0.02 ohm

Operate Time, Max. — 6 ms

Release Time, Max. — N/A

Shock, 11ms, 1/2 Sine (Peak) —
K41P — 50 g
K41R — 30 g

Vibration —
Peak — 10 g (55 to 2000 Hz)

Operating Ambient Temperature Range — -55°C to +125°C

Insulation Resistance —
Initial — 10 gigaohms

Mechanical Life — 1 million cycles

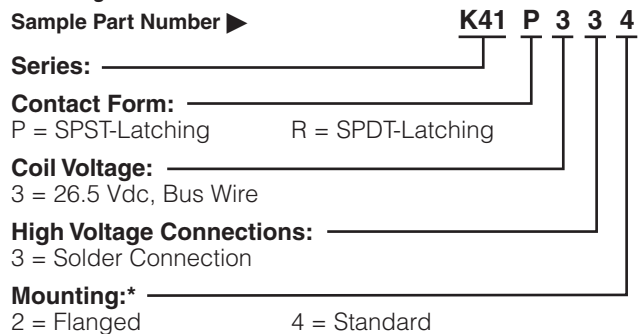
Weight, Nominal —
28.35 g (1.0 oz.)

Coil Data

Volts, Nominal	26.5 Vdc
Reset & Latch, Max.	16 Vdc
Dropout	N/A
Coil Resistance ($\pm 10\%$)	80 Ω

Ratings listed are for 25°C, sea level conditions.

Ordering Information



*See page 7-97 for mounting methods.

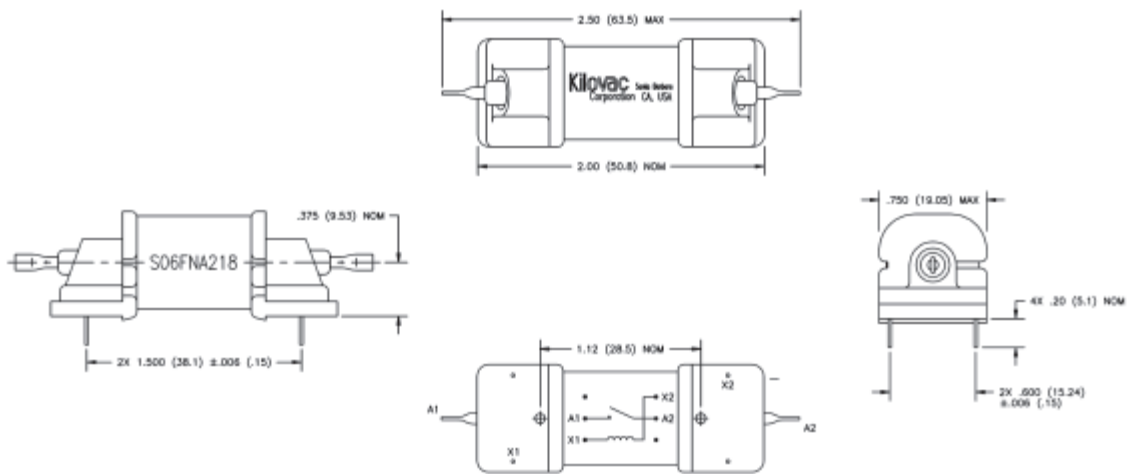
For factory-direct application assistance, dial 800-253-4560, ext. 2055, or 805-220-2055.

S06 Series No Load Switching — 7.0 kV Relays

S06HBA318

Product Facts

- 8 Amp continuous carry at 7 Kvdc
- Vacuum dielectric for power switching low current loads
- 100 million cycle mechanical life
- Carries 10 A at DC; 6 Amps at 30 MHz



Product Specifications

Contact Arrangement — SPST-NO
Contact Form — A
Voltage Ratings (Peak) —
 Between Contacts — 7 kV
 Contacts to Coil — 7 kV
 Contacts to Screen — 7 kV
 Coil to Screen — .5 kV
Carry Current, Max. —
 @ DC — 10 A
 @ 30 MHz — 6 A
Contact Resistance — 50 mohm
Contact Capacitance —
 Between Open Contacts — 0.4 pF
 Closed Contacts to Ground — 5 pF

Operate Time 4 — 2 ms
Release Time 4 — 1 ms
Shock, 11ms, 1/2 Sine (Peak) — 100 g
Vibration —
 Peak — 20 g (10 to 500 Hz)
Operating Temperature Range — -40°C to +85°C
Storage Temperature Range — -55°C to +125°C
Insulation Resistance —
 Initial — 10 gigaohms
Mechanical Life — 100 million cycles
Weight, Nominal — 24.1 gram (0.85 oz.)

Notes:

1. Dimensions in parentheses are in millimeters.
2. Pin dimensions are .024 [.61] nom. square.
3. Recommended PCB holes: .043 [1.0]
4. Operate and release times are with external diode suppression, @ 25°C.

Coil Data

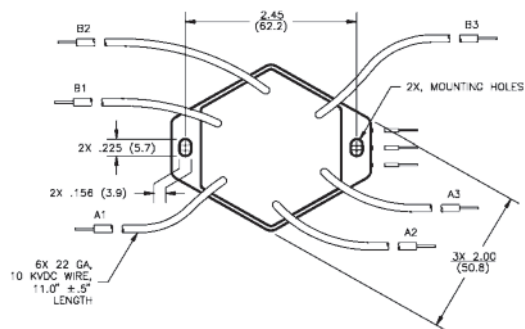
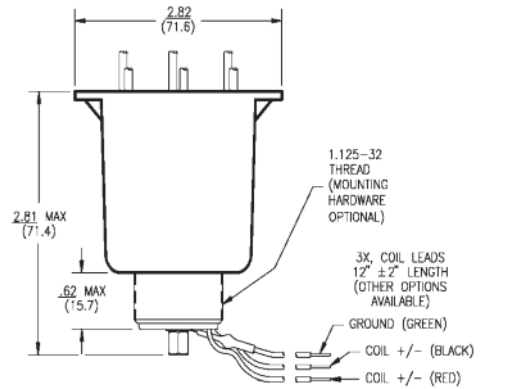
Volts, Nominal	24 Vdc
Maximum Voltage	31 Vdc
Pickup, Max.	15 Vdc
Dropout, Max.	2 Vdc
Coil Resistance	1,000 Ω
RF Screen, Inner	Pin # S1
RF Screen, Outer	Pin # S2
EM Shield	N/A

For factory-direct application assistance, dial 800-253-4560, ext. 2055, or 805-220-2055.

KM-17 Series Make Only Load Switching — 7.5 kV Relays

Product Facts

- Double pole, double throw contacts
- SF-6 gas-filled for ideal discharge waveform
- High voltage flying leads
- Tabs for easy mount
- Widely used in defibrillator applications

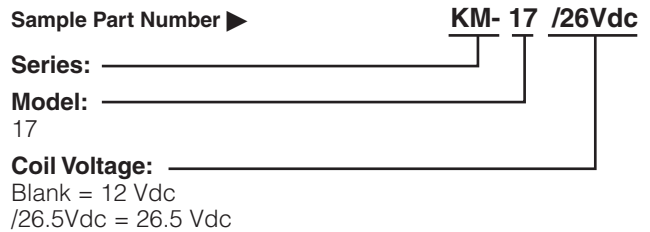


Product Specifications for KM-17

- Contact Arrangement** — DPDT
- Contact Form** — 2C
- Test Voltage, DC or 60 Hz (Peak)** — 14 kV
- Rated Operating Voltage (Peak)** — DC or 60 Hz — 7.5 kV
- Continuous Carry Current, Max.** — DC or 60 Hz — 10 A
Coil Hi-Pot (Vrms, 60 Hz) — 500 A
- Contact Capacitance** — Between Open Contacts — N/A
Open Contacts to Ground — N/A
- Contact Resistance, Max.** — 0.5 ohm*
- Operate Time, Max.** — 20 ms
- Release Time, Max.** — 20 ms
- Shock, 11ms, 1/2 Sine (Peak)** — 10 g

- Vibration** — Peak — 10 g (55 to 500 Hz)
- Operating Ambient Temperature Range** — -20°C to +65°C
- Insulation Resistance** — Initial — 10 gigaohms
- Mechanical Life** — 1010,000 cycle
- Weight, Nominal** — KM-17 — 311.8 g (11 oz.)

Ordering Information



Coil Data

Nominal Volts DC	12 Vdc	26 Vdc
Pickup, Max.	8 Vdc	16 Vdc
Dropout	.5-5 Vdc	1-10 Vdc
Coil Resistance (±10%)	12 Ω	48 Ω

Ratings listed are for 25°C, sea level conditions
Coils are not for continuous duty.

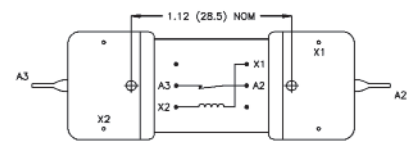
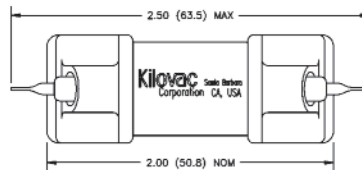
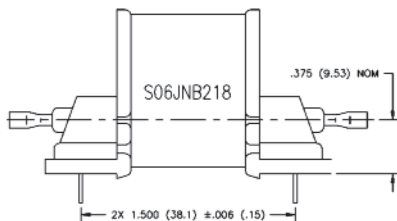
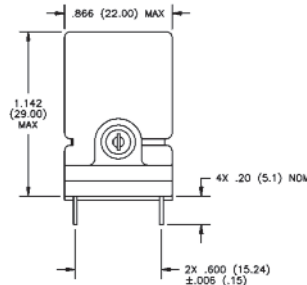
For factory-direct application assistance, dial 800-253-4560, ext. 2055, or 805-220-2055.

S06 Series No Load Switching — 8 kV Relays

S06JNB218

Product Facts

- High reliable RF relay
- Vacuum dielectric for power switching low current loads
- 100 million cycle mechanical life
- Form B relay
- 8 Amps at DC;
6 Amps at 30 MHz



1. Dimensions in parentheses are in millimeters.
2. Pin dimension are .024 (.61) nom. square.
3. Recommended P.C.B. holes: .043 (1.0)
4. Coil terminals are polarity sensitive for the normally closed B version. X1 is positive, +, and X2 is negative, -.

Coil Data

Volts, Nominal	12 Vdc
Maximum Voltage	18 Vdc
Pickup, Max.	6 Vdc
Dropout, Max.	2 Vdc
Coil Resistance	380 Ω
RF Screen, Inner	N/A
RF Screen, Outer	N/A
EM Shield	N/A

Product Specifications

Contact Arrangement — SPST-NC
Contact Form — B
Voltage Ratings (Peak) — Between Contacts — 8 kV
 Contacts to Coil — 8 kV
Carry Current, Max. — @ DC — 8 A
 @ 30 MHz — 6 A
Contact Resistance — 0.050 ohm
Contact Capacitance — Between Open Contacts — 0.6 pF
 Closed Contacts to Ground — 4 pF
Operate Time ⁵ — 3 ms
Release Time ⁵ — 2 ms

Shock, 11ms, 1/2 Sine (Peak) — 100 g

Vibration — Peak — 20 g (10 to 500 Hz)

Operating Temperature Range — -40°C to +85°C

Storage Temperature Range — -55°C to +125°C

Insulation Resistance — Initial — 10 gigaohms

Mechanical Life — 100 million cycles

Weight, Nominal — 4.54 gram (0.16 oz.)

Notes:

1. Dimensions in parentheses are in

- millimeters.
2. Pin dimensions are .024 [.61] nom. square.
3. Recommended PCB holes: .043 [1.0]
4. Coil terminals are polarity sensitive for the normally closed B version. X1 is positive, +, and X2 is negative, -.
5. Operate and release times are with external diode suppression, @ 25°C.

For factory-direct application assistance, dial 800-253-4560, ext. 2055, or 805-220-2055.

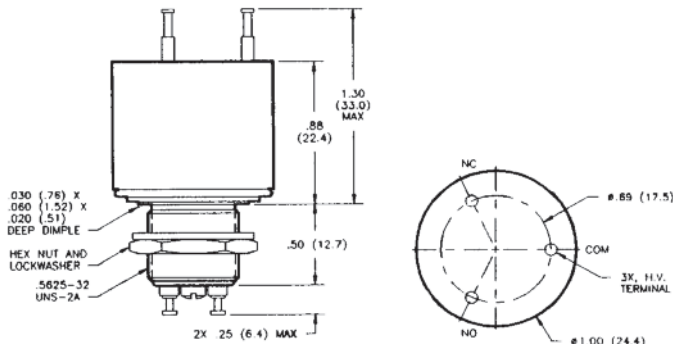
HC Series — 8 kV Relays

HC-2
No Load Switching

HC-4
Make & Break Load Switching

Product Facts for HC-2

- Vacuum dielectric and copper contacts for high current carry rating of 25 Amps
- Not designed for power switching
- Stable, low contact resistance
- Meets requirements of MIL-R-83725



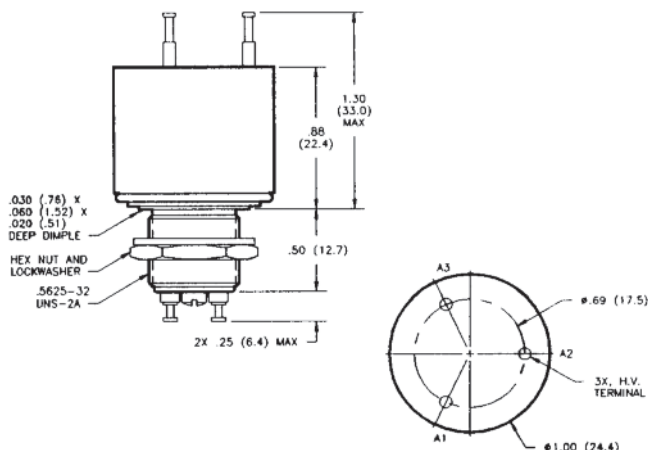
Product Facts for HC-4

- Tungsten contacts for long life in power switching applications
- Meets requirements of MIL-R-83725
- Vacuum dielectric for arc suppression when making or breaking a load

HC-6
Make Only Load Switching

Product Facts for HC-6

- Tungsten contacts for switching high in-rush loads
- SF-6 gas-filled for capacitive discharge applications
- Suitable for ESD testing applications
- Tungsten contacts for long life in power switching applications



Product Specifications for HC-2, HC-4 and HC-6

- Contact Arrangement** — SPDT
- Contact Form** — C
- Test Voltage, DC or 60 Hz (Peak)** — 10 kV
- Rated Operating Voltage (Peak)** — DC or 60 Hz — 8 kV
- Continuous Carry Current, Max.** — DC or 60 Hz — HC-2 — 25 A RMS
HC-4 — 15 A RMS
HC-6 — 8 A RMS
- Coil Hi-Pot (Vrms, 60 Hz) — 500 A RMS
- Contact Capacitance** — Between Open Contacts — N/A
Open Contacts to Ground — N/A
- Contact Resistance, Max.** — HC-2 — 0.01 ohm
HC-4 — 0.02 ohm
HC-6 — 0.5 ohm*
- Operate Time, Max.** — 6 ms
- Release Time, Max.** — 6 ms

- Shock, 11ms, 1/2 Sine (Peak)** — 50 g
- Vibration** — Peak — 10 g (55 to 2000 Hz)
- Operating Ambient Temperature Range** — -55°C to +125°C
- Mechanical Life** — HC-2 and HC-4 — 2 million cycles
HC-6 — 1 million cycle
- Weight, Nominal** — 39.69 g (1.4 oz.)

*Contact resistance for gas-filled relays is measured at 28 Vdc, 1 Amp

For factory-direct application assistance, dial 800-253-4560, ext. 2055, or 805-220-2055.

Coil Data

Nominal Volts DC	12 Vdc	26.5 Vdc	115 Vdc
Pickup, Max.	8 Vdc	16 Vdc	80 Vdc
Dropout	.5-5 Vdc	1-10 Vdc	5-50 Vdc
Coil Resistance (±10%)	80 Ω	335 Ω	6000 Ω

Ratings listed are for 25°C, sea level conditions

Ordering Information

Sample Part Number ► HC- 6 /12Vdc

Series: _____

Model: _____

2 4 6

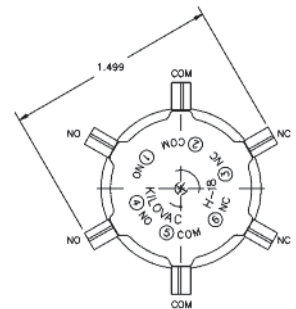
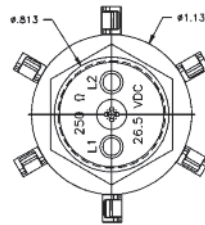
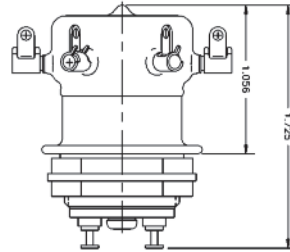
Coil Voltage: _____

Blank = 26.5 Vdc
/12Vdc = 12 Vdc
/115Vdc = 115 Vdc

H-18 Series Make & Break Load Switching — 8 kV Relays

Product Facts

- Smallest DPDT high voltage relay
- Vacuum dielectric for power switching low current loads
- 8 kV rating; carries 2 Amps at 32 MHz
- Tungsten contacts for power switching low current loads
- Meets requirements of MIL-R-83725



Product Specifications

Contact Arrangement — DPDT

Contact Form — 2C

Test Voltage, DC or 60 Hz (Peak) — 10 kV

Rated Operating Voltage (Peak) —
DC or 60 Hz — 8 kV
2.5 MHz — 5 kV
16 MHz — 3 kV
32 MHz — 2 kV

Continuous Carry Current, Max. —

DC or 60 Hz — 10 A
2.5 MHz — 7 A
16 MHz — 3 A
32 MHz — 2 A
Coil Hi-Pot (Vrms, 60 Hz) — 500 A

Contact Capacitance —
Between Open Contacts — 0.8 pF
Open Contacts to Ground — 1.5 pF

Contact Resistance, Max. — 0.02 ohm

Operate Time, Max. — 15 ms

Release Time, Max. — 15 ms

Shock, 11ms, 1/2 Sine (Peak) — 30 g

Vibration —
Peak — 10 g (55 to 500 Hz)

Operating Ambient Temperature Range — -55°C to +125°C

Mechanical Life — 1 million cycles

Weight, Nominal — 70.87 g (2.5 oz.)

Coil Data

Volts, Nominal DC	12 V	26.5 V	115 V
Pickup, Max.	8 Vdc	16 Vdc	80 Vdc
Dropout	.5-5 Vdc	1-10 Vdc	5-50 Vdc
Coil Resistance (±10%)	60 Ω	250 Ω	3500 Ω

Ordering Information

Sample Part Number ► **H-18 /12Vdc**

Series: _____

Model: H-18

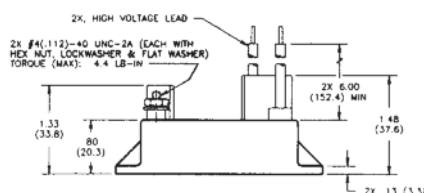
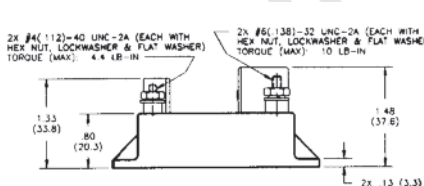
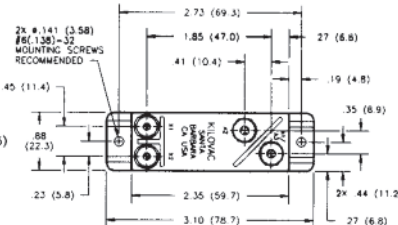
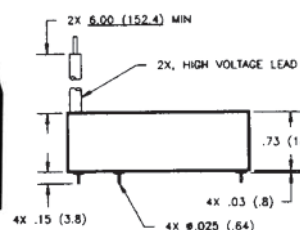
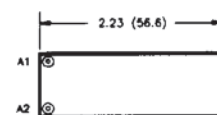
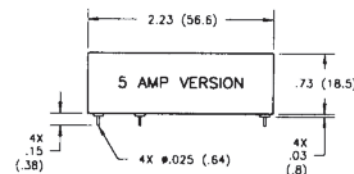
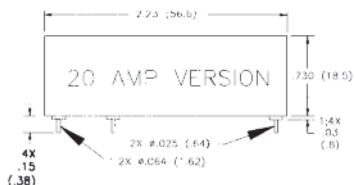
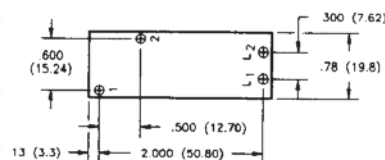
Coil Voltage: _____
Blank = 26.5 Vdc
/12Vdc = 12 Vdc
/115Vdc = 115 Vdc

For factory-direct application assistance, dial 800-253-4560, ext. 2055, or 805-220-2055.

K81 A/B Series Make & Break Load Switching — 10 kV Relays

Product Facts

- 10 kV PC board-mount relay
- Vacuum dielectric for power switching low current loads
- Flying leads or PCB mount for high voltage connections
- Meets requirements of MIL-R-83725
- Completely sealed; suitable for test equipment
- Panel mount available for ease of mounting



Product Specifications

Contact Arrangement —

K81A — SPST-NO
K81B — SPST-NC

Contact Form —

K81A — A
K81B — B

Test Voltage, DC or 60 Hz (Peak) —

11 kV

Rated Operating Voltage (Peak) —

DC or 60 Hz — 10 kV

Continuous Carry Current, Max. —

DC or 60 Hz — 5 A, 20 A or 30 A¹
Coil Hi-Pot (Vrms, 60 Hz) — N/A

Contact Resistance, Max. —

0.03 ohm

Operate Time, Max. —

10 ms

Release Time, Max. —

10 ms

Shock, 11ms, 1/2 Sine (Peak) —

30 g

Vibration —

Peak — 10 g (55 to 500 Hz)

Operating Ambient Temperature Range —

-55°C to +85°C

Mechanical Life —

2 million cycles

Weight, Nominal —

56.7 g (2 oz.)

Notes:

1. PC pin versions carry 5 or 20 Amps, see part number at right. Flying lead and panel versions carry 30 Amp.
- *Power terminal on 20 Amp version is a larger diameter than on the 5 Amp version (.025 = 5 Amp, .064 = 20 Amp)

Coil Data

Volts, Nominal DC	12 V	26.5 V	115 V
Pickup, Max.	8 Vdc	16 Vdc	80 Vdc
Dropout	.5-5 Vdc	1-10 Vdc	5-50 Vdc
Coil Resistance (±10%)	70 Ω	290 Ω	4700 Ω

Ratings listed are for 25°C, sea level conditions

Ordering Information

Sample Part Number ▶

K81 A 3 3 5

Series:

Contact Form:

A = SPST-NO B = SPST-NC

Coil Voltage:

2 = 12 Vdc, PC Board 3 = 26.5 Vdc, PC Board
5 = 115 Vdc, PC Board
A = 12 Vdc, Stud Terminals, Panel Mount
B = 26.5 Vdc, Stud Terminals, Panel Mount
C = 115 Vdc, Stud Terminals, Panel Mount

High Voltage Connections:

A* = PCB Solder Connection — 20 Amp
3 = PCB Solder Connection — 5 Amp
4 = Flying Leads 5 = Stud Terminals

Mounting:

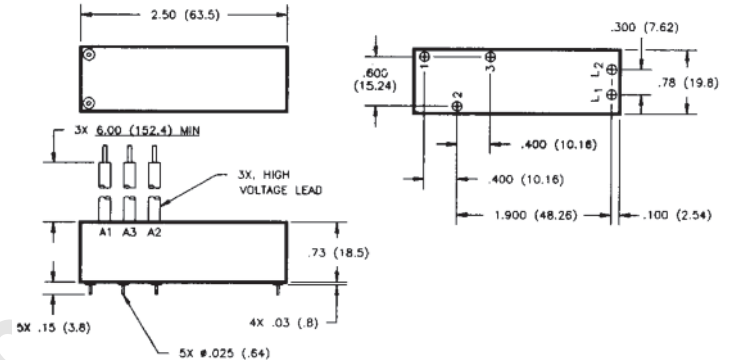
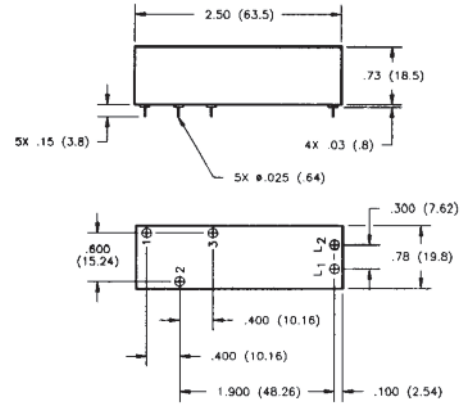
5 = PC Board 7 = Panel Mount

For factory-direct application assistance, dial 800-253-4560, ext. 2055, or 805-220-2055.

K81C Series Make & Break Load Switching — 10 kV Relays

Product Facts

- SPDT version of K81
- Vacuum dielectric for power switching low current loads
- Flying lead version will carry 10 Amps continuous current
- PCB mount version will carry 5 Amps continuous current



Product Specifications

- Contact Arrangement** — SPDT
- Contact Form** — C
- Test Voltage, DC or 60 Hz (Peak)** — 11 kV
- Rated Operating Voltage (Peak)** — DC or 60 Hz — 10 kV

- Continuous Carry Current, Max.** — DC or 60 Hz — See Note 1
- Coil Hi-Pot (Vrms, 60 Hz)** — N/A
- Contact Resistance, Max.** — 0.05 ohm
- Operate Time, Max.** — 10 ms
- Release Time, Max.** — 10 ms

- Shock, 11ms, 1/2 Sine (Peak)** — 30 g
- Vibration** — Peak — 10 g (55 to 500 Hz)
- Operating Ambient Temperature Range** — -55°C to +85°C
- Mechanical Life** — 2 million cycles
- Weight, Nominal** — 70.87 g (2.5 oz.)

Note:
1. 5 Amp carry for PC pin versions.
30 Amp carry for flying lead versions.

Coil Data

Volts, Nominal DC	12V	26.5 V	115 V
Pickup, Max.	8 Vdc	16 Vdc	80 Vdc
Dropout	.5-5 Vdc	1-10 Vdc	5-50 Vdc
Coil Resistance (±10%)	70 Ω	290 Ω	4700 Ω

Ratings listed are for 25°C, sea level conditions

Ordering Information

Sample Part Number ▶ **K81 C 3 3 5**

Series: _____

Contact Form: _____
C = SPDT

Coil Voltage: _____
2 = 12 Vdc, PC Board
3 = 26.5 Vdc, PC Board
5 = 115 Vdc, PC Board

High Voltage Connections: _____
3 = PCB Solder Connection
4 = Flying Leads

Mounting: _____
5 = PC Board

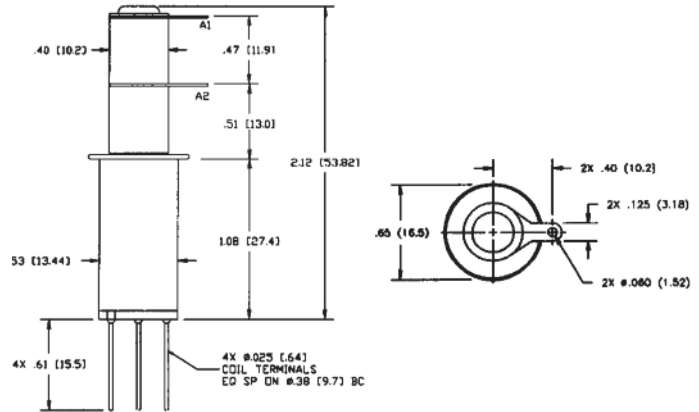
For factory-direct application assistance, dial 800-253-4560, ext. 2055, or 805-220-2055.

K43 Series Make & Break Load Switching — 10 kV Relays (Continued)

**KILOVAC K43P
Make & Break Load
Switching**

Product Facts for K43P

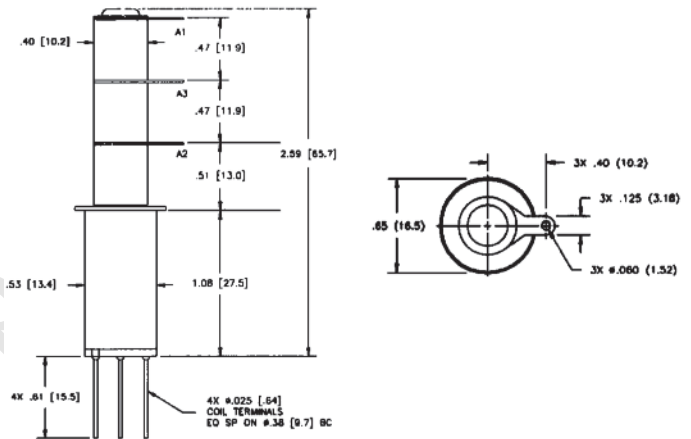
- High power rating; 24 Amps DC continuous current carry
- Vacuum dielectric for power switching low current loads
- Low power consumption
- Fast operating: 5 millisecond operate time
- Meets requirements of MIL-R-83725



**KILOVAC K43R
Make & Break Load
Switching**

Product Facts for K43R

- Single pole, double throw contacts with latching actuator
- Vacuum dielectric for power switching low current loads
- Carries 6 Amps at 32 MHz
- Meets requirements of MIL-R-83725



**Product Specifications for
K43P and K43R**

Contact Arrangement —

K43P — SPST-Latching
K43R — SPDT-Latching

Contact Form —

K43P — P
K43R — R

Test Voltage, DC or 60 Hz (Peak) —
11 kV

Rated Operating Voltage (Peak) —

DC or 60 Hz — 10 kV
2.5 MHz — 7 kV
16 MHz — 6 kV
32 MHz — 4 kV

Continuous Carry Current, Max. —

DC or 60 Hz — 24 A
2.5 MHz — 16 A
16 MHz — 9 A
32 MHz — 6 A
Coil Hi-Pot (Vrms, 60 Hz) — 500 A

Contact Capacitance —

Between Open Contacts — 1.2 pF
Open Contacts to Ground — 1.2 pF

For factory-direct application assistance,
dial 800-253-4560, ext. 2055, or
805-220-2055.

Contact Resistance, Max. —
0.02 ohm

Operate Time, Max. —

K43P — 5 ms
K43R — 6 ms

Release Time, Max. — N/A

Shock, 11ms, 1/2 Sine (Peak) —
30 g

Vibration —
Peak — 7 g (55 to 2000 Hz)

**Operating Ambient Temperature
Range —** -55°C to +125°C

Mechanical Life — 1 million cycles

Weight, Nominal —
28.35 g (1 oz.)

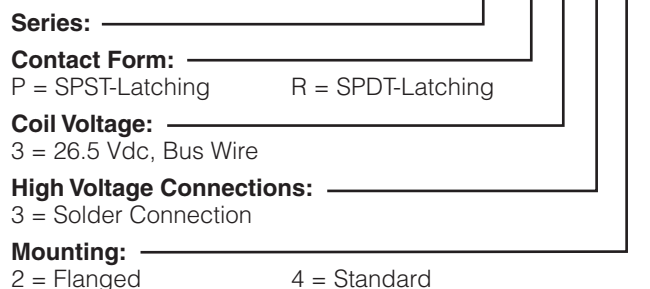
Coil Data

Volts, Nominal	26.5 Vdc
Latch & Reset, Max.	16 Vdc
Dropout	N/A
Coil Resistance (±10%)	80 Ω

Ratings listed are for 25°C, sea level conditions

Ordering Information

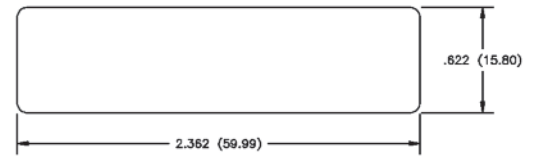
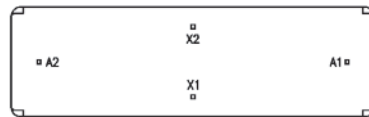
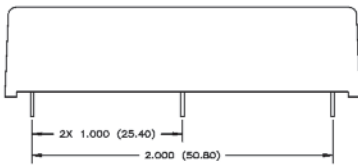
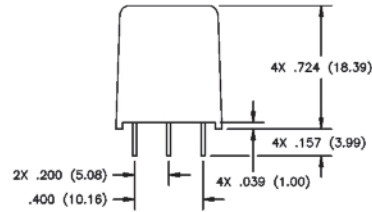
Sample Part Number ▶



***See page 7-97 for mounting
methods.**

S05 Series Make & Break Load Switching — 10 kV Relays

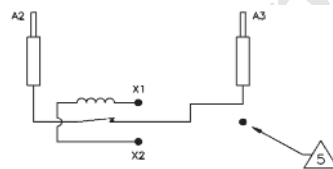
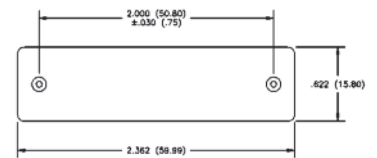
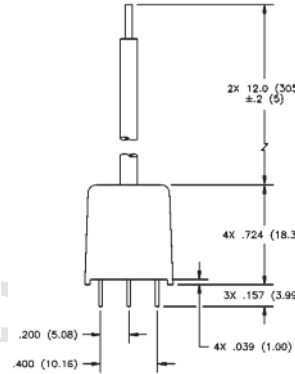
**S05LT —
PC Mount Version**



**S05LT —
Flying Lead Version**

**Product Facts for
S05LT (Both versions)**

- Versatile 10 kV, 5 Amp carry relay
- Vacuum dielectric for power switching low current loads
- Widely used in test equipment applications
- Flying leads or PC mount available
- Very high service life



Pin View/Schematic (Viewed from Top of Relay)

Notes:

1. Overall dimensions are all maximums.
2. Dimensions in parenthesis are in millimeters.
3. Pin dimensions tolerances are as follows: Lengths = ± .04 [1.0] Spacing = ± .006 [15]
4. Pins are .025 [0.6] square.
5. Coil terminals are polarity sensitive for the normally closed B version. X1 is positive, +, and X2 is negative, -.

**Product Specifications for
S05LTA and S05LTB**

Contact Arrangement —

S05LTA — SPST-NO
S05LTB — SPST-NC

Contact Form —

S05LTA — A
S05LTB — B

Voltage Rating Between Contacts —
10 kV

Current Carry @ DC — 5 A

Load Switching — See chart below

Contact Resistance — 0.250 ohm

Contact Capacitance —
Between Open Contacts — 1 pF
Closed Contacts to Ground — 8 pF

Operate and Release Time —
2 ms

Shock, 11ms, 1/2 Sine (Peak) —
100 g

Vibration —
Peak — 20 g (10 to 500 Hz)

Operating Temperature Range —
-20°C to +70°C

Storage Temperature Range —
-35°C to +110°C

Insulation Resistance —
Initial — 10 gigaohms

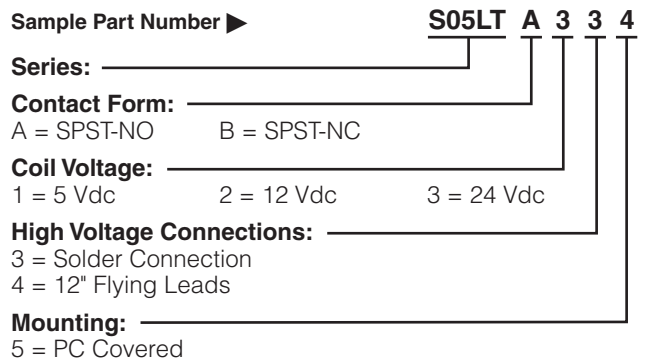
Mechanical Life — 1 billion cycles

Weight, Nominal —
28.35 g (1 oz.)

Coil Data

Volts, Nominal DC	5 V	12 V	24 V
Pickup, Max.	6 Vdc	15 Vdc	28 Vdc
Dropout	.5 Vdc	2 Vdc	4 Vdc
Coil Resistance (±10%)	28 Ω	150 Ω	780 Ω

Ordering Information



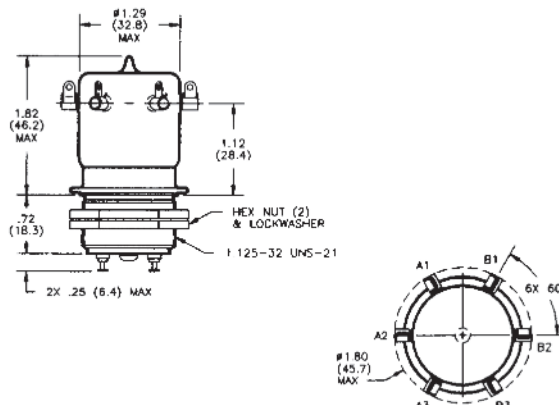
For factory-direct application assistance,
dial 800-253-4560, ext. 2055, or
805-220-2055.

H-14/16 Series Make & Break Load Switching — 12 kV Relays

H-14

Product Facts for H-14

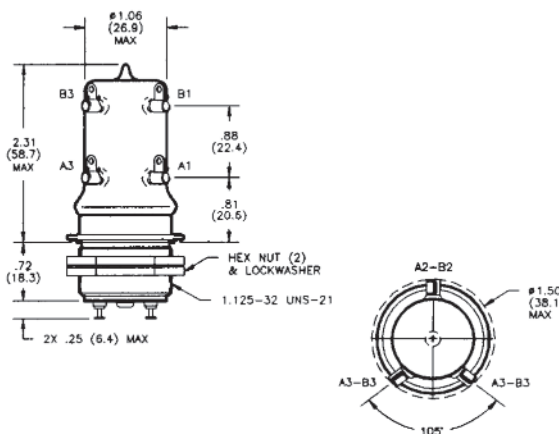
- Double pole, double throw contacts
- Vacuum dielectric for power switching low current loads
- 30 Amps DC continuous current rating
- Corona shield high voltage terminals available
- Meets requirements of MIL-R-83725



H-16

Product Facts for H-16

- 12 kV rating; isolates 5 kV at 32 MHz
- Vacuum dielectric for power switching low current loads
- Double pole, double throw contacts
- Widely used as a transmit/receive switch
- Meets requirements of MIL-R-83725



Product Specifications for H-14 and H-16

Contact Arrangement — DPDT

Contact Form — 2C

Test Voltage, DC or 60 Hz (Peak) — 15 kV

Rated Operating Voltage (Peak) —

- DC or 60 Hz — 12 kV
- 2.5 MHz — 10 kV
- 16 MHz — 8 kV
- 32 MHz — 5 kV

Continuous Carry Current, Max. —

- DC or 60 Hz — 30 A
- 2.5 MHz — H-14 — 15 A
- H-16 — 10 A
- 16 MHz — H-14 — 10 A
- H-16 — 6 A
- 32 MHz — H-14 — 8 A
- H-16 — 4 A
- Coil Hi-Pot (Vrms, 60 Hz) — 500 A

Contact Capacitance —
Between Open Contacts — 1 pF
Open Contacts to Ground — 2.5 pF

Contact Resistance, Max. —
H-14 — 0.015 ohm
H-16 — 0.03 ohm

Operate Time, Max. — 20 ms

Release Time, Max. — 20 ms

Shock, 11ms, 1/2 Sine (Peak) — 20 g

Vibration —
Peak — 10 g (55 to 500 Hz)

Operating Ambient Temperature Range — -55°C to +125°C

Mechanical Life (Operations x 10⁶) —
H-14 — 1 million cycles
H-16 — 500,000 cycles

Weight, Nominal —
H-14 — 226.8 g (8 oz.)
H-16 — 170.1 g (6 oz.)

Coil Data

Nominal Volts DC	12 Vdc	26.5 Vdc	115 Vdc
Pickup, Max.	8 Vdc	16 Vdc	80 Vdc
Dropout	.5-5 Vdc	1-10 Vdc	5-50 Vdc
Coil Resistance (±10%)	24 Ω	120 Ω	2000 Ω

Ratings listed are for 25°C, sea level conditions

Ordering Information

Sample Part Number ► H- 14 /12Vdc

Series: _____

Model: _____

14 _____ 16 _____

Coil Voltage: _____

Blank = 26.5 Vdc

/12Vdc = 12 Vdc

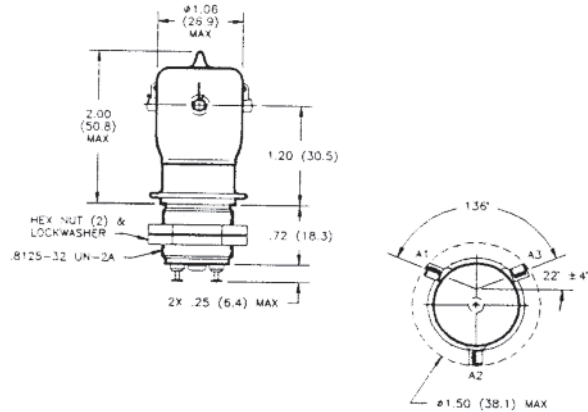
/115Vdc = 115 Vdc

For factory-direct application assistance, dial 800-253-4560, ext. 2055, or 805-220-2055.

H-8 Make & Break Load Switching — 15 kV Relays

Product Facts

- Single pole, double throw contacts
- Vacuum dielectric for power switching low current loads
- 30 Amps DC continuous current rating
- Corona shield high voltage terminals available
- Meets requirements of MIL-R-83725



Product Specifications

Contact Arrangement — SPDT

Contact Form — C

Test Voltage, DC or 60 Hz (Peak) — 20 kV

Rated Operating Voltage (Peak) —
DC or 60 Hz — 15 kV
2.5 MHz — 12 kV
16 MHz — 10 kV
32 MHz — 5 kV

Continuous Carry Current, Max. —
DC or 60 Hz — 15 A RMS
2.5 MHz — 10 A RMS
16 MHz — 6 A RMS
32 MHz — 4 A RMS
Coil Hi-Pot (Vrms, 60 Hz) — 500 A RMS

Contact Capacitance —
Between Open Contacts — 1 pF
Open Contacts to Ground — 1.5 pF

Contact Resistance, Max. — 0.015 ohm

Operate Time, Max. — 15 ms

Release Time, Max. — 15 ms

Shock, 11ms, 1/2 Sine (Peak) — 30 g

Vibration —
Peak — 10 g (55 to 500 Hz)

Operating Temperature Range — -55°C to +125°C

Mechanical Life — 1 million cycles

Weight, Nominal — 85 g (3 oz.)

Coil Data

Volts, Nominal DC	12 V	26.5 V	115 V
Pickup, Max.	8 Vdc	16 Vdc	80 Vdc
Dropout	.5-5 Vdc	1-10 Vdc	5-50 Vdc
Coil Resistance (±10%)	60 Ω	265 Ω	3500 Ω

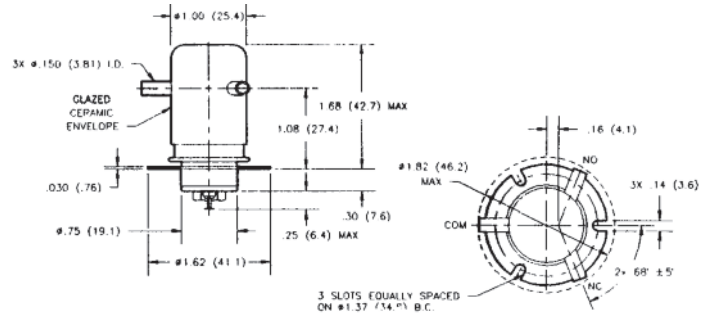
For factory-direct application assistance, dial 800-253-4560, ext. 2055, or 805-220-2055.

KC Series Make & Break Load Switching — 15 kV Relays (Continued)

**KC-2
No Load Switching**

Product Facts

- Vacuum dielectric for low and stable contact resistance
- Carries 50 Amps at DC; 10 Amps at 32 MHz
- Not designed for power switching



KC-8

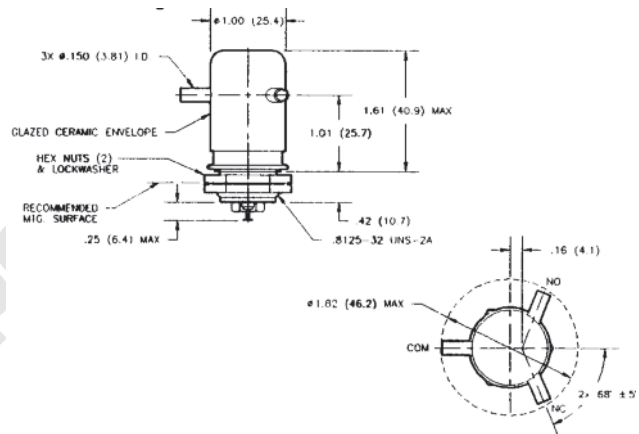
Product Facts for KC-8

- Not recommended for new design. See KC-14 on page 7-82 for replacement.

**KC-11
No Load Switching**

Product Facts

- Threaded base version of KC-2
- Vacuum dielectric for low leakage current applications



**KC-12
Product Facts**

- Not recommended for new design. See KC-18 on page 7-67 for replacement.
- Vacuum dielectric for power switching low current loads

Product Specifications for KC-2, KC-8, KC-11 and KC-12

- **Contact Arrangement** — SPDT
- **Contact Form** — C
- **Test Voltage, DC or 60 Hz (Peak)** — 17 kV
- **Rated Operating Voltage (Peak)** — DC or 60 Hz — 15 kV
- 2.5 MHz — KC-2 and KC-11 — 12 kV
- 16 MHz — KC-2 and KC-11 — 9 kV
- 32 MHz — KC-2 and KC-11 — 7 kV

- **Continuous Carry Current, Max.** — DC or 60 Hz — KC-2 and KC-11 — 50 A
- KC-8 and KC-12 — 30 A
- 2.5 MHz — KC-2 and KC-11 — 30 A
- 16 MHz — KC-2 and KC-11 — 17 A
- 32 MHz — KC-2 and KC-11 — 10 A
- Coil Hi-Pot (Vrms, 60 Hz) — 500 A

- **Contact Capacitance** — Between Open Contacts — 0.5 pF
- Open Contacts to Ground — 1 pF
- **Contact Resistance, Max.** — KC-2 and KC-11 — 0.012 ohm
- KC-8 and KC-12 — 0.025 ohm
- **Operate Time, Max.** — 15 ms
- **Release Time, Max.** — 9 ms
- **Shock, 11ms, 1/2 Sine (Peak)** — 50 g
- **Vibration** — Peak — 10 g (55 to 500 Hz)
- **Operating Ambient Temperature Range** — -55°C to +125°C
- **Mechanical Life** — 1 million cycles
- **Weight, Nominal** — 85 g (3 oz.)

Coil Data

Nominal Volts DC	12 Vdc	26.5 Vdc	115 Vdc
Pickup, Max.	8 Vdc	16 Vdc	80 Vdc
Dropout	.5-5 Vdc	1-10 Vdc	5-50 Vdc
Coil Resistance (±10%)			
KC-2 and KC-11	60 Ω	250 Ω	3500 Ω
KC-8 and KC-12	48 Ω	180 Ω	2900 Ω

Ratings listed are for 25°C, sea level conditions

Ordering Information

Sample Part Number ▶ **KC- 2 /12Vdc**

Series: _____

Model: _____

2 8 11 12

Coil Voltage: _____

Blank = 26.5 Vdc /12Vdc = 12 Vdc /115Vdc = 115 Vdc

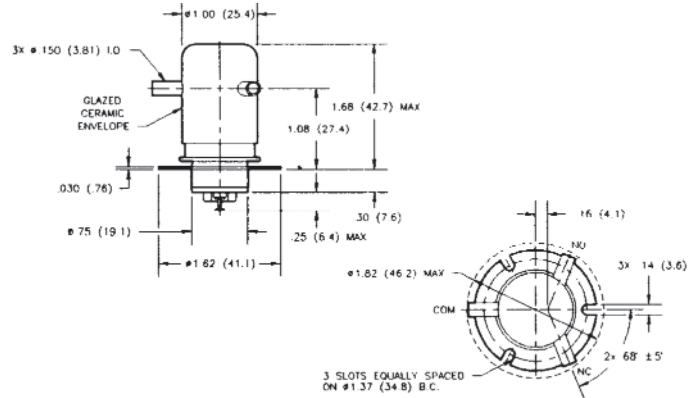
For factory-direct application assistance, dial 800-253-4560, ext. 2055, or 805-220-2055.

KC Series Make Only Load Switching — 15 kV Relays (Continued)

KC-15

Product Facts

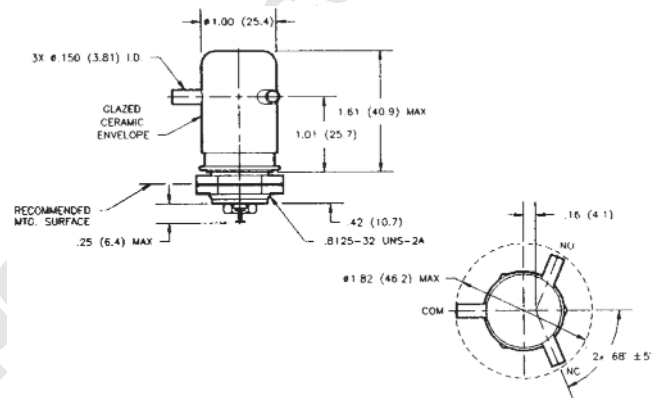
- SF-6 gas-filled for power switching on the “make”
- Long load life in capacitive discharge
- Recommended for ESD testing and safety interlock applications
- Meets requirements of MIL-R-83725



KC-16

Product Facts

- Threaded base version of KC-15
- SF-6 gas-filled for power switching on the “make”
- 15 kV rating
- Meets requirements of MIL-R-83725



Product Specifications for KC-15 and KC-16

Contact Arrangement — SPDT

Contact Form — C

Test Voltage, DC or 60 Hz (Peak) — 17 kV

Rated Operating Voltage (Peak) — DC or 60 Hz — 15 kV

Continuous Carry Current, Max. — DC or 60 Hz — 12 A

Coil Hi-Pot (Vrms, 60 Hz) — 500 A

Contact Capacitance — Between Open Contacts — N/A

Open Contacts to Ground — N/A

Contact Resistance, Max. — 1.0 ohm*

Operate Time, Max. — 15 ms

Release Time, Max. — 9 ms

Shock, 11ms, 1/2 Sine (Peak) — 50 g

Vibration — Peak — 10 g (55 to 500 Hz)

Operating Ambient Temperature Range — -55°C to +125°C

Mechanical Life — 1 million cycles

Weight, Nominal — 85 g (3 oz.)

Note: *Contact resistance for gas-filled relays measured 28 Vdc, 1 Amp

Coil Data

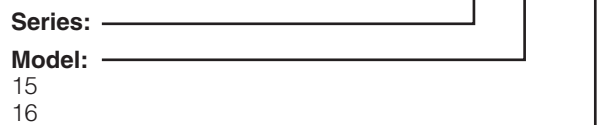
Volts, Nominal DC	12 V	26.5 V	115 V
Pickup, Max.	8 Vdc	16 Vdc	80 Vdc
Dropout	.5-5 Vdc	1-10 Vdc	5-50 Vdc
Coil Resistance ($\pm 10\%$)	48 Ω	180 Ω	2900 Ω

Ratings listed are for 25°C, sea level conditions

Ordering Information

Sample Part Number ►

KC- 15 /12Vdc



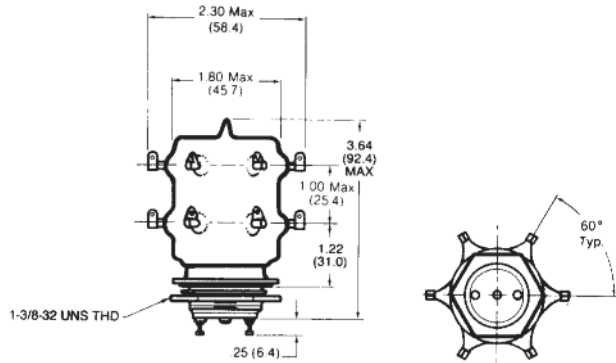
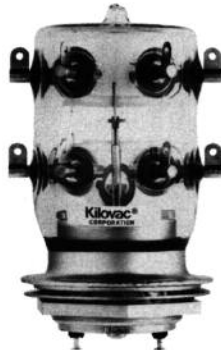
Coil Voltage: Blank = 26.5 Vdc
/12Vdc = 12 Vdc
/115Vdc = 115 Vdc

For factory-direct application assistance, dial 800-253-4560, ext. 2055, or 805-220-2055.

H-26 Series Make & Break Load Switching — 15 kV Relays

Product Facts

- Highly reliable four pole double throw relay
- Used to switch multiple loads and for polarity reversal
- Vacuum dielectric for power switching low current loads
- Meets requirements of MIL-R-83725



Product Specifications

Contact Arrangement — 4PDT
Contact Form — 4C
Test Voltage, DC or 60 Hz (Peak) — 17 kV
Rated Operating Voltage (Peak) — DC or 60 Hz — 15 kV
 2.5 MHz — 12 kV
 16 MHz — 10 kV
 32 MHz — 7 kV
Continuous Carry Current, Max. — DC or 60 Hz — 30 A
 2.5 MHz — 10 A
 16 MHz — 6 A
 32 MHz — 4 A
 Coil Hi-Pot (Vrms, 60 Hz) — 500 A

Contact Capacitance —

Between Open Contacts — 1 pF
 Open Contacts to Ground — 2.5 pF
Contact Resistance, Max. — 0.02 ohm
Operate Time, Max. — 30 ms
Release Time, Max. — 30 ms
Shock, 11ms, 1/2 Sine (Peak) — 30 g
Vibration — Peak — 10 g (55 to 500 Hz)
Operating Ambient Temperature Range — -55°C to +125°C
Mechanical Life — 100,000 cycles
Weight, Nominal — 340 g (12 oz.)

Coil Data

Volts, Nominal DC	12 V	26.5 V	115 V
Pickup, Max.	8 Vdc	16 Vdc	80 Vdc
Dropout	.5-5 Vdc	1-10 Vdc	5-50 Vdc
Coil Resistance (±10%)	N/A	130 Ω	2100 Ω

Ratings listed are for 25°C, sea level conditions

Ordering Information

Sample Part Number ▶ **H-26 /12Vdc**

Model: _____
 H-26

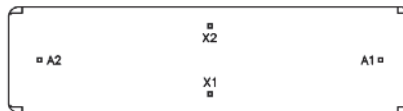
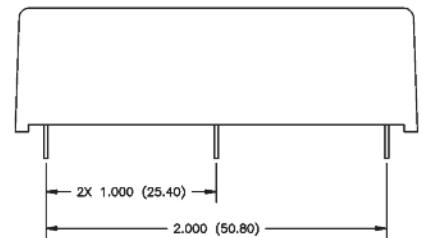
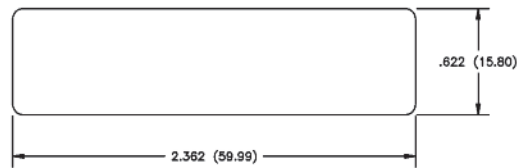
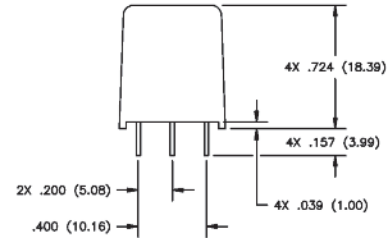
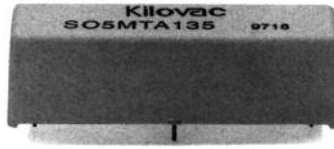
Coil Voltage: _____
 Blank = 26.5 Vdc
 /12Vdc = 12 Vdc
 /115Vdc = 115 Vdc

For factory-direct application assistance, dial 800-253-4560, ext. 2055, or 805-220-2055.

S05 Series Make & Break Load Switching — 15 kV Relays

**S05MTA
Product Facts**

- Smallest 15 kV PC mount relay
- Vacuum dielectric for power switching low current loads
- SPST normally open contacts
- Very high service life



Notes:

1. Overall dimensions are all maximums.
2. Dimensions in parenthesis are in millimeters.
3. Pin dimensions tolerances are as follows: Lengths = ± .04 [1.0] Spacing = ± .006 [.15]
4. Pins are .025 [0.6] square.

Product Specifications

Contact Arrangement — SPST-NO
Contact Form — A
Voltage Rating Between Contacts — 15 kV
Current Carry @ DC — 5 A
Load Switching — See chart below
Contact Resistance — 250 mohm
Operate/Release Time — 3/2 ms
Shock, 11ms, 1/2 Sine (Peak) — 100 g

Vibration — Peak — 20 g (10 to 500 Hz)
Operating Temperature Range — -20°C to +70°C
Storage Temperature Range — -35°C to +125°C
Insulation Resistance — Initial — 10 gigaohms
Mechanical Life — 100 million cycles
Weight, Nominal — 28.35 g (1 oz.)

Coil Data

Volts, Nominal DC	5 V	12 V	24 V
Pickup, Max.	3.7 Vdc	9 Vdc	20 Vdc
Dropout	1.25 Vdc	1.25 Vdc	4 Vdc
Coil Resistance (±10%)	16 Ω	95 Ω	350 Ω

Ratings listed are for 25°C, sea level conditions

Load Switching		Life in Cycles
Voltage	Current	
110 Vac	0.5 Amps	1,000,000
120 Vac	1.0 Amps	200,000
1000 Vac	200 mAmps	100,000
5000 Vac	83 mAmps	1,000

Ordering Information

Sample Part Number ▶ **S05MT A 3 3 5**

Series: _____

Contact Form: _____
A = SPST-NO

Coil Voltage: _____
1 = 5 Vdc 2 = 12 Vdc 3 = 24 Vdc

High Voltage Connections: _____
3 = PC Pins

Mounting: _____
5 = PC Covered

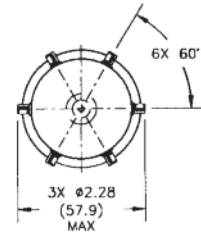
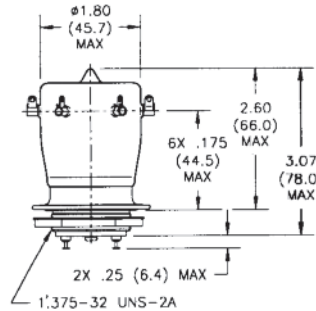
For factory-direct application assistance, dial 800-253-4560, ext. 2055, or 805-220-2055.

H-19/17 Series Make & Break Load Switching — 20/25 kV Relays

H-19

Product Facts

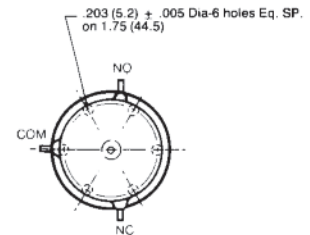
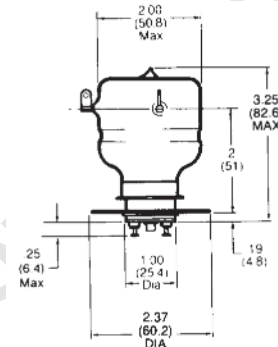
- 20 kV operating voltage
- Vacuum dielectric and tungsten contacts for power switching low current loads
- Double pole, double throw contacts
- Available with corona shield connectors
- Meets requirements of MIL-R-83725



H-17

Product Facts

- Will isolate 12 kV at 32 MHz
- Tungsten contacts suitable for power switching low current loads
- Available with corona shield connectors
- Meets requirements of MIL-R-83725
- QPL version available, M83725/2



Product Specifications for H-19 and H-17

Contact Arrangement —

H-19 — DPDT
H-17 — SPDT

Contact Form —

H-19 — 2C
H-17 — C

Test Voltage, DC or 60 Hz (Peak) —

H-19 — 25 kV
H-17 — 30 kV

Rated Operating Voltage (Peak) —

DC or 60 Hz — H-19 — 20 kV
H-17 — 25 kV

2.5 MHz — H-19 — 15 kV
H-17 — 20 kV

16 MHz — H-19 — 10 kV
H-17 — 15 kV

32 MHz — H-19 — 7 kV
H-17 — 12 kV

Continuous Carry Current, Max. —

DC or 60 Hz — 30 A
2.5 MHz — H-19 — 18 A
H-17 — 16 A

16 MHz — H-19 — 9 A
H-17 — 10 A
32 MHz — H-19 — 6 A
H-17 — 8 A
Coil Hi-Pot (Vrms, 60 Hz) — 500 A

Contact Capacitance —
Between Open Contacts — 1 pF
Open Contacts to Ground — 2.5 pF

Contact Resistance, Max. —
0.015 ohm

Operate Time, Max. —

H-19 — 30 ms
H-17 — 25 ms

Release Time, Max. —

H-19 — 20 ms
H-17 — 25 ms

Shock, 11ms, 1/2 Sine (Peak) —

H-19 — 30 g
H-17 — 20 g

Vibration —
Peak — 10 g (55 to 500 Hz)

Operating Ambient Temperature Range — -55°C to +125°C

Mechanical Life — 1 million cycles

Weight, Nominal —
H-19 — 241 g (8.5 oz.)
H-17 — 198.4 g (7 oz.)

Coil Data

Nominal Volts DC	12 Vdc	26.5 Vdc	115 Vdc
Pickup, Max.	8 Vdc	16 Vdc	80 Vdc
Dropout	.5-5 Vdc	1-10 Vdc	5-50 Vdc
Coil Resistance (±10%)			
H-19	48 Ω	225 Ω	2100 Ω
H-17	24 Ω	120 Ω	2900 Ω

Ratings listed are for 25°C, sea level conditions

Ordering Information

Sample Part Number ▶ **H- 17 /12Vdc**

Series: _____

Model: _____

H-19
H-17

Coil Voltage: _____

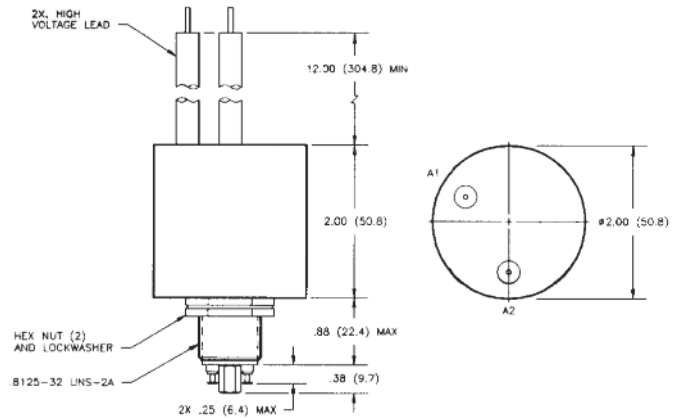
Blank = 26.5 Vdc
/12Vdc = 12 Vdc
/115Vdc = 115 Vdc

For factory-direct application assistance, dial 800-253-4560, ext. 2055, or 805-220-2055.

K62 Series Make & Break Load Switching — 25 kV Relays

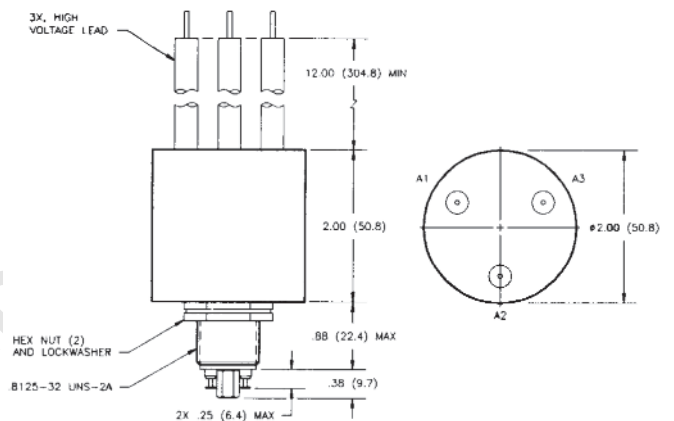
K62A and K62B Product Facts

- 25 kV relay with flying leads for ease of installation
- Vacuum dielectric and tungsten contacts for power switching low current loads
- Meets requirements of MIL-R-83725



K62C Product Facts

- SPDT version of K62
- Vacuum dielectric for power switching low current loads
- Carries 18 Amps continuous current
- Meets requirements of MIL-R-83725



Product Specifications for K62A, K62B and K62C

Contact Arrangement —

- K62A — SPST-NO
- K62B — STST-NC
- K62C — SPDT

Contact Form —

- K62A — A
- K62B — B
- K62C — C

Test Voltage, DC or 60 Hz (Peak) — 30 kV

Rated Operating Voltage (Peak) — DC or 60 Hz — 25 kV

Continuous Carry Current, Max. —

- DC or 60 Hz — 18 A
- Coil Hi-Pot (Vrms, 60 Hz) — 500 A

Contact Resistance, Max. — 0.50 ohm

Operate Time, Max. — 15 ms

Release Time, Max. — 15 ms

For factory-direct application assistance, dial 800-253-4560, ext. 2055, or 805-220-2055.

Shock, 11ms, 1/2 Sine (Peak) — 20 g

Vibration — Peak — 10 g (55 to 500 Hz)

Operating Ambient Temperature Range — -55°C to +85°C

Mechanical Life — 1 million cycles

Weight, Nominal — 340 g (12 oz.)

Coil Data

Volts, Nominal DC	12 V	26.5 V	115 V
Pickup, Max.	9 Vdc	18 Vdc	90 Vdc
Dropout	.5-5 Vdc	1-10 Vdc	5-55 Vdc
Coil Resistance (±10%)	30 Ω	125 Ω	2400 Ω

Ratings listed are for 25°C, sea level conditions

Ordering Information

Sample Part Number ▶ **K62 A 7 4 1**

Series: _____

Contact Form: _____
 A = SPST-NO B = SPST-NC C = SPDT

Coil Voltage: _____
 7 = 12 Vdc, Turret Terminal
 8 = 26.5 Vdc, Turret Terminal
 9 = 115 Vdc, Turret Terminal

High Voltage Connections: _____
 4 = Flying Leads, 12"
 7 = Flying Leads, 72"
 8 = Flying Leads, 36"

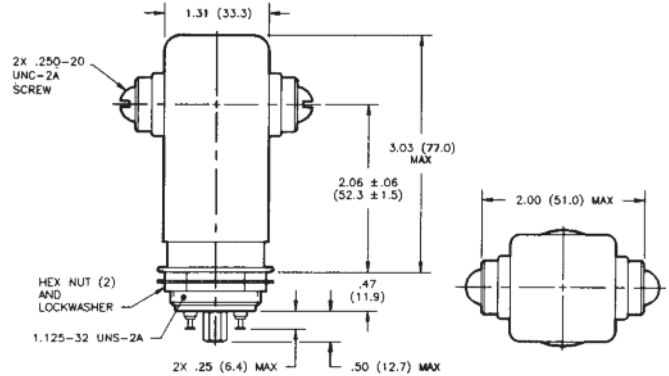
Mounting: _____
 1 = Threaded

KC-Series No Load Switching — 25 kV Relays

KC-20

Product Facts

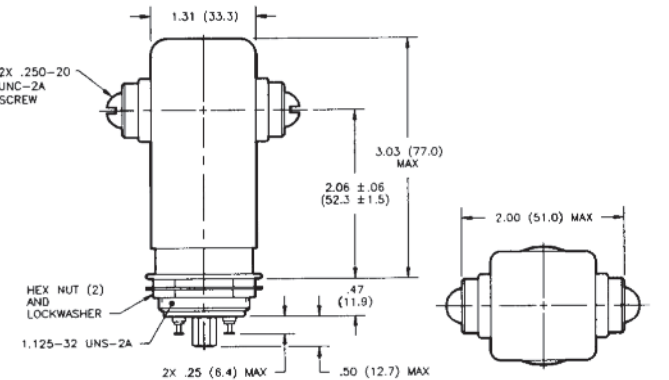
- Rugged, high current carry ceramic relay
- Carries 30 Amps at 32 MHz
- Copper contacts; not designed for power switching
- Meets requirements of MIL-R-83725



KC-30

Product Facts

- Normally closed version of KC-20
- Carries 55 Amps DC
- Vacuum dielectric for low leakage current applications



Product Specifications for KC-20 and KC-30

Contact Arrangement —

KC-20 — SPST-NO
KC-30 — SPST-NC

Contact Form —

KC-20 — X
KC-30 — Y

Test Voltage, DC or 60 Hz (Peak) —

KC-20 — 30 kV
KC-30 — 28 kV

Rated Operating Voltage (Peak) —

DC or 60 Hz — KC-20 — 28 kV
KC-30 — 25 kV

2.5 MHz — 22 kV

16 MHz — KC-20 — 12 kV
KC-30 — 10 kV

32 MHz — KC-20 — 10 kV
KC-30 — 9 kV

Continuous Carry Current, Max. —

DC or 60 Hz — KC-20 — 110 A
KC-30 — 55 A

2.5 MHz — KC-20 — 60 A
KC-30 — 30 A

16 MHz — KC-20 — 40 A

KC-30 — 20 A

32 MHz — KC-20 — 30 A

KC-30 — 15 A

Coil Hi-Pot (Vrms, 60 Hz) — 500 A

Contact Capacitance —

Between Open Contacts — 2.5 pF
Open Contacts to Ground — 2.5 pF

Contact Resistance, Max. —

KC-20 — 0.005 ohm
KC-30 — 0.01 ohm

Operate Time, Max. — 18 ms

Release Time, Max. —

KC-20 — 10 ms
KC-30 — 20 ms

Shock, 11ms, 1/2 Sine (Peak) —

30 g

Vibration —

Peak — 10 g (55 to 500 Hz)

Operating Ambient Temperature Range —

-55°C to +125°C

Mechanical Life — 2 million cycles

Weight, Nominal —

340 g (12 oz.)

Coil Data

Volts, Nominal DC	12 V	26.5 V	115 V
Pickup, Max.	8 Vdc	16 Vdc	80 Vdc
Dropout	.5-5 Vdc	1-10 Vdc	5-50 Vdc
Coil Resistance (±10%)	24 Ω	120 Ω	2000 Ω

Ratings listed are for 25°C, sea level conditions

Ordering Information

Sample Part Number ►

KC- 20 /12Vdc

Series: _____

Model: _____

KC-20

KC-30

Coil Voltage: _____

Blank = 26.5 Vdc

/12Vdc = 12 Vdc

/115Vdc = 115 Vdc

For factory-direct application assistance, dial 800-253-4560, ext. 2055, or 805-220-2055.

KC-Series — 25 kV Relays

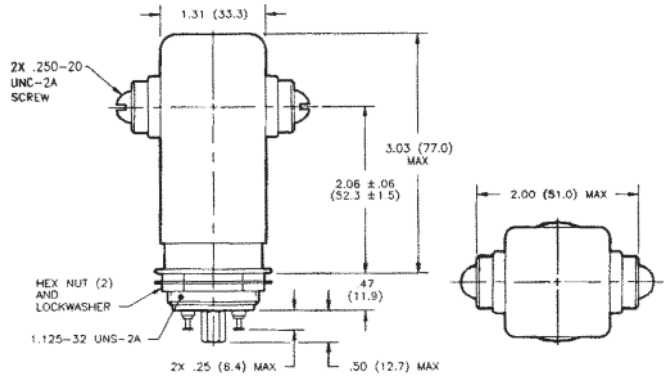
**KC-22, KC-32
Make & Break Load
Switching**

Product Facts for KC-22

- Tungsten contacts for power switching

Product Facts for KC-32

- Normally closed version of KC-22
- Vacuum dielectric for power switching low current loads



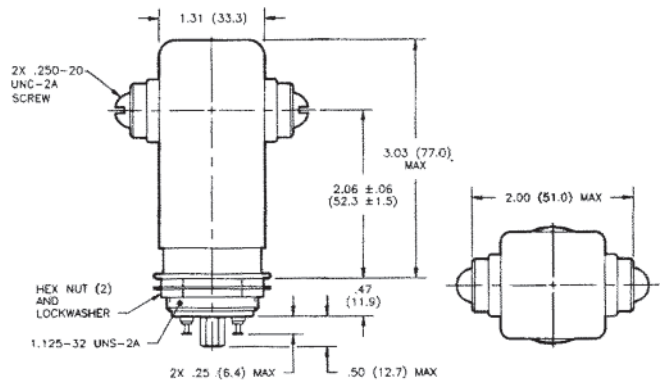
**KC-28, KC-38
Make Only Load Switching**

Product Facts for KC-28

- SF-6 gas-filled for capacitive discharge and "make only" applications
- Capable of switching 2000 Amps peak capacitive discharge for 400 nanoseconds

Product Facts for KC-38

- Normally closed version of KC-28
- SF-6 gas-filled for capacitive discharge and "make only" applications



**Product Specifications for
KC-22, KC-32, KC-28 & KC-38**

Contact Arrangement —

KC-22 and KC-28 — SPST-NO
KC-32 and KC-38 — SPST-NC

Contact Form —

KC-22 and KC-28 — X
KC-32 and KC-38 — Y

Test Voltage, DC or 60 Hz (Peak) —
28 kV

Rated Operating Voltage (Peak) —
DC or 60 Hz — 25 kV

Continuous Carry Current, Max. —

DC or 60 Hz — KC-22 — 65 A
KC-33 — 45 A
KC-28 — 30 A
KC-38 — 15 A

Coil Hi-Pot (Vrms, 60 Hz) — 500 A

Contact Capacitance —

Between Open Contacts —
KC-22 and KC-32 — 2.5 pF
Open Contacts to Ground —
KC-22 and KC-32 — 2.5 pF

Contact Resistance, Max. —

KC-22 — 0.005 ohm
KC-33 — 0.01 ohm
KC-28 — 1.0 ohm*
KC-38 — 1.0 ohm*

Operate Time, Max. — 18 ms

Release Time, Max. —

KC-22 and KC-28 — 10 ms
KC-32 and KC-38 — 20 ms

Shock, 11ms, 1/2 Sine (Peak) —
30 g

Vibration —
Peak — 10 g (55 to 500 Hz)

**Operating Ambient Temperature
Range —** -55°C to +125°C

Mechanical Life — 2 million cycles

Weight, Nominal — 340 g (12 oz.)

Coil Data

Volts, Nominal DC	12 V	26.5 V	115 V
Pickup, Max.	8 Vdc	16 Vdc	80 Vdc
Dropout	.5-5 Vdc	1-10 Vdc	5-50 Vdc
Coil Resistance (±10%)	24 Ω	120 Ω	2000 Ω

Ratings listed are for 25°C, sea level conditions

For factory-direct application assistance,
dial 800-253-4560, ext. 2055, or
805-220-2055.

Ordering Information

Sample Part Number ▶

Series: _____

Model: _____

KC-22 KC-32 KC-28 KC-38

Coil Voltage: _____

Blank = 26.5 Vdc /12Vdc = 12 Vdc /115Vdc = 115 Vdc

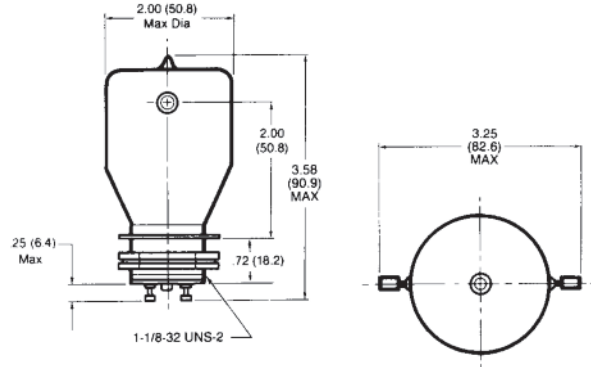
KC- 22 /12Vdc

H-23/24 Series Make & Break Load Switching — 30 kV Relay

(Not recommended for new designs)

Product Facts

- See K61 or K62 series for latest generation products
- Vacuum dielectric for power switching low current loads



Product Specifications

Contact Arrangement —

- H-23 — SPST-NC
- H-24 — SPST-NO

Contact Form —

- H-23 — B
- H-24 — A

Test Voltage, DC or 60 Hz (Peak) —
35 kV

Rated Operating Voltage (Peak) —

- DC or 60 Hz — 30 kV
- 2.5 MHz — 24 kV
- 16 MHz — 18 kV
- 32 MHz — 7 kV

Continuous Carry Current, Max. —

- DC or 60 Hz — 30 A
- 2.5 MHz — 20 A
- 16 MHz — 12 A
- 32 MHz — 7 A
- Coil Hi-Pot (Vrms, 60 Hz) — 500 A

Contact Capacitance —

- Between Open Contacts — N/A
- Open Contacts to Ground — N/A

Contact Resistance, Max. —
0.015 ohm

Operate Time, Max. — 30 ms

Release Time, Max. — 20 ms

Shock, 11ms, 1/2 Sine (Peak) —
20 g

Vibration —
Peak — 10 g (55 to 500 Hz)

Operating Ambient Temperature Range — -55°C to +125°C

Mechanical Life — 1 million cycles

Weight, Nominal — 198.4 g (7 oz.)

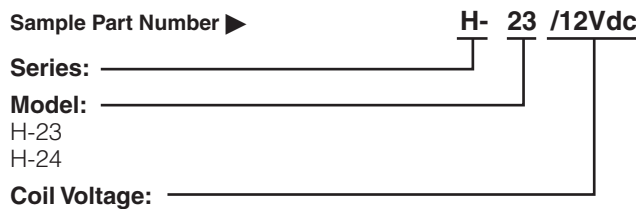
Coil Data

Volts, Nominal DC	12 V	26.5 V	115 V
Pickup, Max.	8 Vdc	16 Vdc	80 Vdc
Dropout	.5-5 Vdc	1-10 Vdc	5-50 Vdc
Coil Resistance (±10%)	24	120 Ω	2000 Ω

Ratings listed are for 25°C, sea level conditions

Ordering Information

Sample Part Number ►



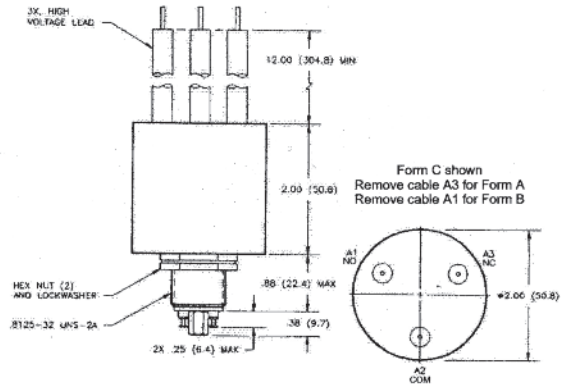
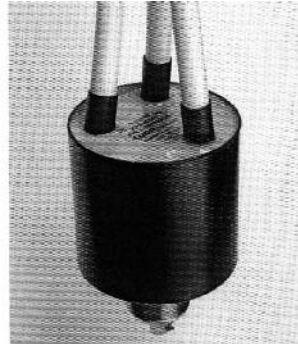
Coil Voltage:
Blank = 26.5 Vdc
/12Vdc = 12 Vdc
/115Vdc = 115 Vdc

For factory-direct application assistance, dial 800-253-4560, ext. 2055, or 805-220-2055.

KP61 Series — 35 kV Relays

Product Facts

- SF-6 gas-filled relay is excellent for capacitive discharge applications
- Widely used in test equipment and medical instruments
- Fully operable in air and suitable for adverse environments
- Contact forms A, B & C
- 35 kV rating in compact, durable package
- Lower cost version of K61 series



Dimensions in Inches
Tolerances Except as Noted
.XX = ± .03
XXX = ± .010
∠X° = ± 5°
DO NOT SCALE DWG.

Product Specifications

- Contact Arrangement/Form** — SPST-NO / A
SPST-NC / B
SPDT / C
- Test Voltage, DC or 60 Hz (Peak)** — 40 kV
- Rated Operating Voltage (Peak)** — DC or 60 Hz — 35 V
- Continuous Carry Current, Max.** — DC or 60 Hz — 10 A
- Contact Resistance, Max.** — 1.0Ω
- Shock, 11ms, 1/2 Sine (Peak)** — 20 g

- Vibration** — Peak — 10 g (55 to 500 Hz)
- Operating Ambient Temperature Range** — -55°C to +85°C
- Mechanical Life** — 1 million cycles
- Weight, Nominal** — 297.7g (10.5 oz.)

Coil Data

Volts, Nominal DC	12 V	26.5 V	115 V
Pickup, Max.	30 Vdc	125 Vdc	2000 Vdc
Dropout	.5-5 Vdc	1-10 Vdc	5-50 Vdc
Coil Resistance (±10%)	24	120 Ω	2000 Ω

Ratings listed are for 25°C, sea level conditions

Ordering Information

Sample Part Number ► **K61 C 8 4 1**

Series: _____

Contact Form: _____
A = SPST-NO B = SPST-NC C = SPDT

Coil Voltage: _____
7 = 12 Vdc, Turret Terminal
8 = 26.5 Vdc, Turret Terminal
9 = 115 Vdc, Turret Terminal

High Voltage Connections: _____
4 = Flying Leads, 12"
5 = Flying Leads, 72"
6 = Flying Leads, 36"

Mounting: _____
1 = Threaded

For factory-direct application assistance, dial 800-253-4560, ext. 2055, or 805-220-2055.

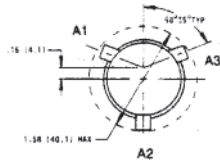
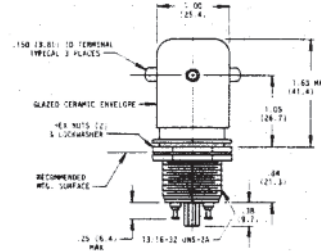
K60 Series Make Only Load Switching — 35 kV Relays

K60C (35 kV)*

Product Facts

- 35 kV rating when operated in oil or potting
- Smallest 35 kV rated relay available

*Customer must isolate high voltage terminals using suitable dielectric such as oil or potting



Product Specifications

- Contact Arrangement** — SPDT
- Contact Form** — C
- Test Voltage, DC or 60 Hz (Peak)** — 37 kV**
- Rated Operating Voltage (Peak)** — DC or 60 Hz — 35 kV**
- Continuous Carry Current, Max.** — DC or 60 Hz — 10 A RMS
Coil Hi-Pot (Vrms, 60 Hz) — 500 A RMS
- Contact Resistance, Max.** — N/A
- Operate Time, Max.** — 15 ms
- Release Time, Max.** — 15 ms

- Shock, 11ms, 1/2 Sine (Peak)** — 20 g
- Vibration** — Peak — 10 g (55 to 500 Hz)
- Operating Ambient Temperature Range** — -55°C to +85°C
- Mechanical Life** — 1 million cycles
- Weight, Nominal** — 93.6 g (3.3 oz.)

Note:
**37 kV test voltage, 35 kV operate voltage when operated in oil.

Coil Data

Volts, Nominal DC	12 V	26.5 V	115 V
Pickup, Max.	9 Vdc	18 Vdc	90 Vdc
Coil Resistance (±10%)	30 Ω	125 Ω	2400 Ω

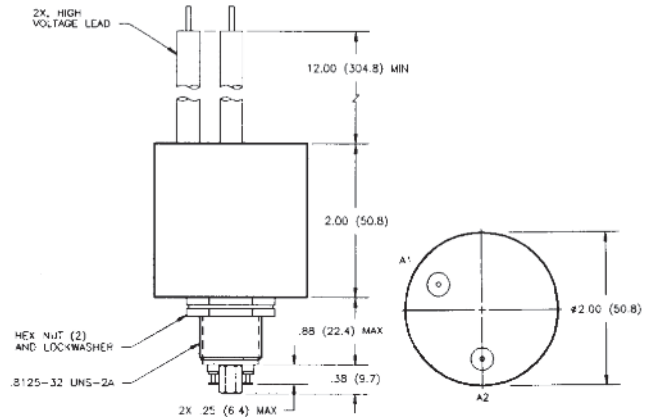
Ratings listed are for 20°C, sea level conditions

For factory-direct application assistance, dial 800-253-4560, ext. 2055, or 805-220-2055.

K61 Series Make Only Load Switching — 35 kV Relays

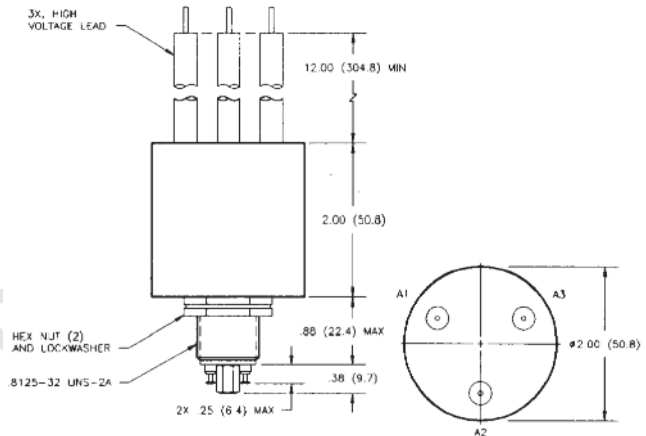
**K61A and K61B
Product Facts for
K61A and K61B**

- SF-6 gas-filled relay excellent for capacitive discharge applications
- Widely used in test equipment and medical instruments
- Fully operable in air and suitable for adverse environments



**K61C
Product Facts for K61C**

- 35 kV rating in compact, durable package
- SF-6 gas-filled relay excellent for capacitive discharge applications
- SPDT version of K61



**Product Specifications for
K61A, K61B and K61C**

Contact Arrangement —

- K61A — SPST-NO
- K61B — STST-NC
- K61C — SPDT

Contact Form —

- K61A — A
- K61B — B
- K61C — C

Test Voltage, DC or 60 Hz (Peak) —
40 kV

Rated Operating Voltage (Peak) —
DC or 60 Hz — 35 kV

Continuous Carry Current, Max. —
DC or 60 Hz — 10 A
Coil Hi-Pot (Vrms, 60 Hz) — 500 A

Contact Resistance, Max. —
1.0 ohm*

Operate Time, Max. — 15 ms

Release Time, Max. — 15 ms

Shock, 11ms, 1/2 Sine (Peak) —
20 g

For factory-direct application assistance,
dial 800-253-4560, ext. 2055, or
805-220-2055.

Vibration —
Peak — 10 g (55 to 500 Hz)

**Operating Ambient Temperature
Range —** -55°C to +85°C

Mechanical Life — 1 million cycles

Weight, Nominal — 340 g (12 oz.)

Note:
*Contact resistance for gas-filled
relays measured at 28 Vdc, 1 Amp

Coil Data

Volts, Nominal DC	12 V	26.5 V	115 V
Pickup, Max.	9 Vdc	18 Vdc	90 Vdc
Dropout	.5-5 Vdc	1-10 Vdc	5-50 Vdc
Coil Resistance (±10%)	30 Ω	125 Ω	2000 Ω

Ratings listed are for 25°C, sea level conditions

Ordering Information

Sample Part Number ▶ **K61 A 7 4 1**

Series: _____

Contact Form: _____
A = SPST-NO B = SPST-NC C = SPDT

Coil Voltage: _____
7 = 12 Vdc, Turret Terminal
8 = 26.5 Vdc, Turret Terminal
9 = 115 Vdc, Turret Terminal

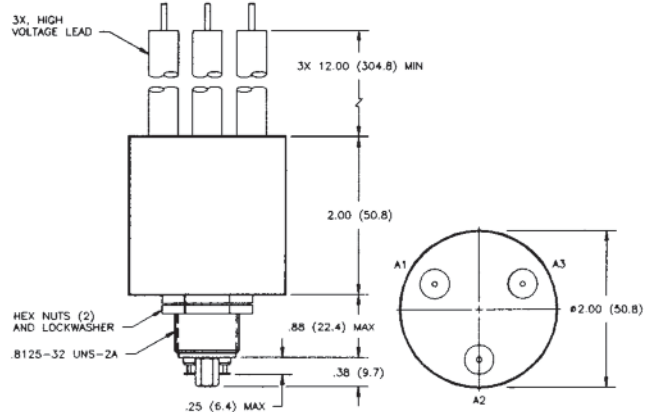
High Voltage Connections: _____
4 = Flying Leads, 12"
7 = Flying Leads, 72"
8 = Flying Leads, 36"

Mounting: _____
1 = Threaded

K64 & H-25 Series — 50 kV Relays

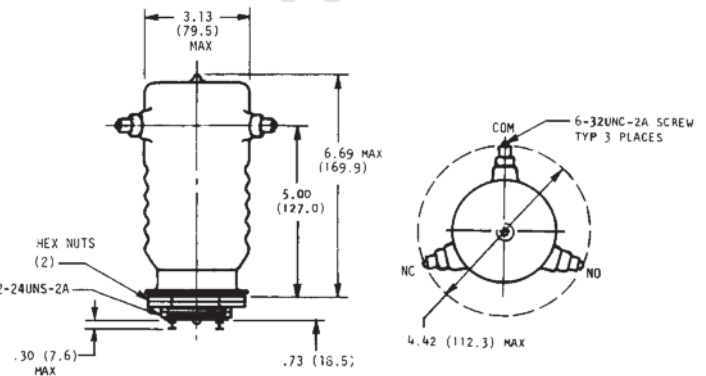
K64C
Make Only Load Switching
Product Facts for K64C

- SF-6 gas-filled relay ideal for high voltage isolation or “make only” power switching
- 50 kV rating in compact package
- High voltage leads and encapsulation allow full operation in air



H-25
Make & Break Load Switching
Product Facts for H-25

- Vacuum relay provides low contact resistance
- Vacuum dielectric for power switching low current loads



Product Specifications for K64C and H-25

Contact Arrangement — SPDT

Contact Form — C

Test Voltage, DC or 60 Hz (Peak) —
K64C — 55 kV
H-25 — 60 kV

Rated Operating Voltage (Peak) —
DC or 60 Hz — 50 kV

Continuous Carry Current, Max. —
DC or 60 Hz — K64C — 10 A
H-25 — 30 A

Coil Hi-Pot (Vrms, 60 Hz) — 500 A

Contact Resistance, Max. —
K64C — 1.0 ohm*
H-25 — 0.015 ohm

Operate Time, Max. —
K64C — 15 ms
H-25 — 60 ms

Release Time, Max. —
K64C — 15 ms
H-25 — 60 ms

Shock, 11ms, 1/2 Sine (Peak) —

K64C — 10 g
H-25 — 15 g

Vibration —
Peak — 10 g (55 to 500 Hz)

Operating Ambient Temperature Range — -55°C to +85°C

Mechanical Life —
K64C — 1 million cycles
H-25 — 500,000 cycles

Weight, Nominal —
K64C — 340 g (12 oz.)
H-25 — 850.5 g (30 oz.)

Note:
*Contact resistance for gas-filled relays measured at 28 Vdc, 1 Amp

Coil Data

	K64C	H-25
Nominal Volts DC	26.5 Vdc	26.5 Vdc
Pickup, Max.	18 Vdc	16 Vdc
Dropout	1-10 Vdc	1-10 Vdc
Coil Resistance (±10%)	80 Ω	120 Ω

Ratings listed are for 25°C, sea level conditions

Ordering Information

Sample Part Number ► **K64 C 8 4 1**

Series: _____

Contact Form: _____
C = SPDT

Coil Voltage: _____
8 = 26.5 Vdc, Turret Terminal

High Voltage Connections: _____
4 = Flying Leads, 12"
7 = Flying Leads, 72"
8 = Flying Leads, 36"

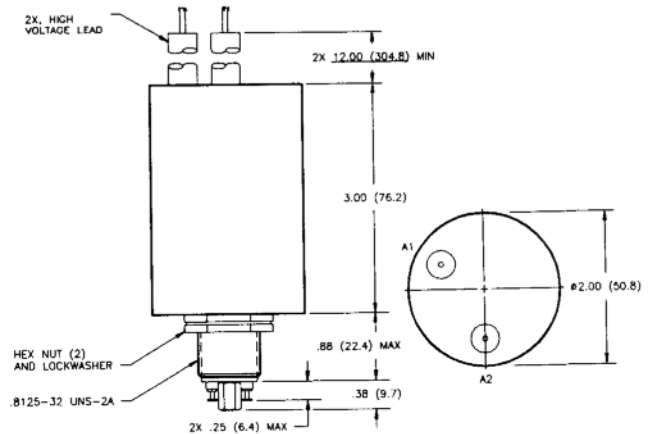
Mounting: _____
1 = Threaded

For factory-direct application assistance, dial 800-253-4560, ext. 2055, or 805-220-2055.

K70 Series Make Only Load Switching — 70 kV Relays

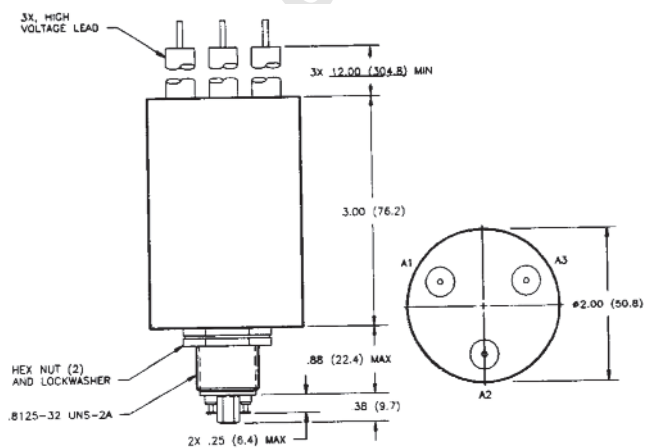
**K70A and K70B
Product Facts**

- New, small, compact 70 kV relay package
- SF-6 gas-filled for capacitive discharge and high voltage isolation applications
- Suitable for charging and discharging of high voltage capacitors
- Safe for use in adverse environments



**K70C
Product Facts**

- SPDT version of K70A
- SF-6 gas-filled for capacitive discharge and high voltage isolation applications
- Suitable for charging and discharging of high voltage capacitors



**Product Specifications for
K70A, K70B and K70C**

- Contact Arrangement** —
K70A — SPST-NO
K70B — SPST-NC
K70C — SPDT
- Contact Form** —
K70A — A
K70B — B
K70C — C
- Test Voltage, DC or 60 Hz (Peak)** —
75 kV
- Rated Operating Voltage (Peak)** —
DC — 70 kV
60 Hz RMS — 30 kV
- Continuous Carry Current, Max.** —
DC or 60 Hz — 10 A
Coil Hi-Pot (Vrms, 60 Hz) — 500 A
- Contact Capacitance** —
Between Open Contacts — N/A
Open Contacts to Ground — N/A
- Contact Resistance, Max.** —
2.0 ohm*

For factory-direct application assistance,
dial 800-253-4560, ext. 2055, or
805-220-2055.

- Operate Time, Max.** — 20 ms
- Release Time, Max.** — 15 ms
- Shock, 11ms, 1/2 Sine (Peak)** —
20 g
- Vibration** —
Peak — 10 g (55 to 500 Hz)
- Operating Ambient Temperature
Range** — 0°C to +85°C
- Mechanical Life** — 500,000 cycles
- Weight, Nominal** —
510.3 g (18 oz.)

Note:
*Contact resistance for gas-filled
relays measured at 28 Vdc, 1 Amp

Coil Data

Volts, Nominal	26.5 Vdc
Pickup, Max.	22 Vdc
Dropout	1-10 Vdc
Coil Resistance (±10%)	75 Ω

Ratings listed are for 25°C, sea level conditions

Ordering Information

Sample Part Number ▶ **K70 A 8 4 1**

Series: _____

Contact Form: _____
A = SPST-NO B = SPST-NC C = SPDT

Coil Voltage: _____
8 = 26.5 Vdc, Turret Terminal

High Voltage Connections: _____
4 = Flying Leads, 12"
7 = Flying Leads, 72"
8 = Flying Leads, 36"

Mounting: _____
1 = Threaded

Mounting Methods

KILOVAC "stacked ceramic" series relays can be easily mounted in any of the several ways shown below. The relay base should be mounted to a ground potential for high voltage applications. KILOVAC relays are not position sensitive and can be mounted in any orientation.

Optional Coil Turret Terminals for PD5, PD10; K41, K43 Types

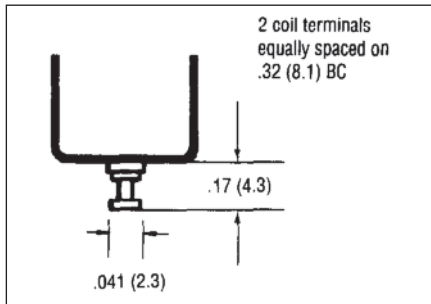


Figure 1.

Standard Flange Mounting

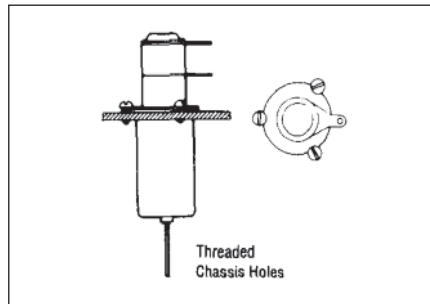


Figure 2.

Optional Flange Mounting for K44

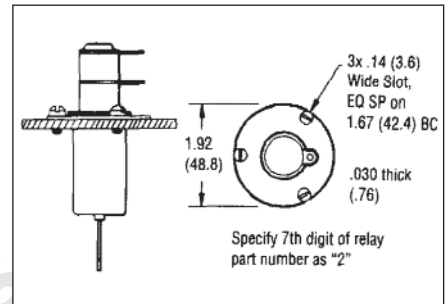


Figure 3.

Optional Flange Mounting for PD5, PD10; K40, K41, K43 and K45 types

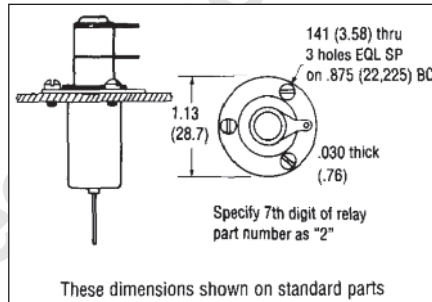


Figure 4.

Spring Clip Mounting

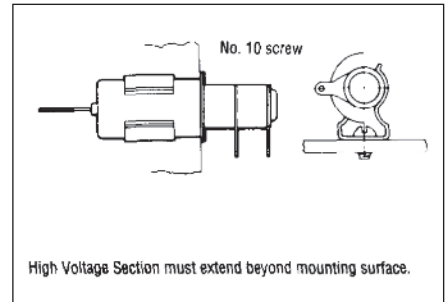


Figure 5. **Seastrom Manufacturing**
(800/447-3927 or 208/737-4300)
Part Number 4502-53-50-2N or similar.

Strap Mounting

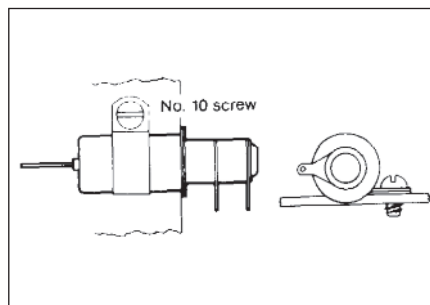


Figure 6. **Adel Fasteners**
9320010 (stainless & silicone)
9320002 (carbon steel & neoprene)

For factory-direct application assistance, dial 800-253-4560, ext. 2055, or 805-220-2055.

Application Notes for EV/LEV Contactors

Introduction - Product Capabilities and Typical Applications

Tyco Electronics KILOVAC EV and LEV contactors are designed to be the highest performance, smallest and lightest weight, sealed High Voltage contactors in the industry. With current carrying capability of up to 500A and power switching up to 200kW, they are used in a variety of industrial, marine, automotive, and commercial applications. Primarily designed to switch resistive loads, they can be used in a variety of circuit applications bearing in mind a few important considerations. This application note focuses on a few of the more common circuit configurations, and what to consider when selecting, installing and using the contactors.

1. Installation

EV/LEV contactors can be mounted in any orientation, and due to the nature of their hermetic seal and isolated enclosure, can be mounted in close proximity to other equipment. However, care must be taken with regard to the termination of the power cables to the main terminals. It is important that the main power connection lugs are mated directly to the terminal seats. Be sure that the hardware stackup is in the proper order, and that washers and other spacers are not placed between the lug and terminal seat. Extraneous connection resistance can cause considerable power dissipation and terminal heating at high current carry.

Refer to Figure 1 and Table I for the recommended hardware stackup and torque.

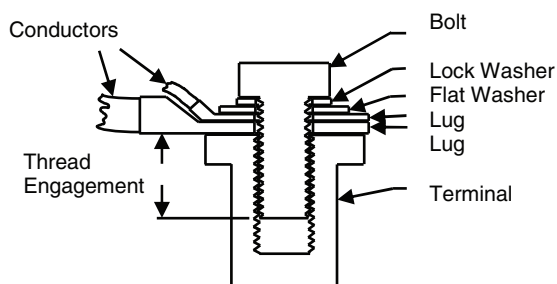


Figure 1
Main Terminal Hardware Installation

Table I

THREAD ENGAGEMENT(turns)	TORQUE
Less than 5	Use longer fastener
5 TO 7	7.9 Nm (70 in-lb) MAX
7 TO 8	9.0 Nm (80 in-lb) MAX
8 TO 11	9.0 Nm (80 in-lb) 11 Nm (100 in-lb) MAX
Mounting Feet (all)	1.7-3.3 Nm (30-35 in-lb)

Table I

Use the same guidelines and torque maximum values for stud terminal contactors as well.

2. Coils, Drive Circuits and Coil Economizing

Since the power required to close the contacts is generally much greater than the required holding power, many KILOVAC contactors can be packaged with low-profile coils that utilize either an electronic economizer (switchmode PWM), or mechanical cut-throat economizer. The economizer lets-through the higher power required for contact closure, then reduces the power for holding, greatly reducing the coil power consumption and heating. These circuits are packaged with the contactor, and in most cases include coil suppression components as well. For customers who wish to provide their own circuitry, Tyco Electronics can provide suggestions for driving the coils of all versions of contactors. Single coil, uneconomized products are also available in the LEV product line. These coils are designed to operate at nominal power over all specified voltage and temperature ranges without economizing circuitry. DC Coils up to 400Vdc and AC coils with integrated converters are available up to 240Vac.

3. Load Types and Power Switching Recommendations

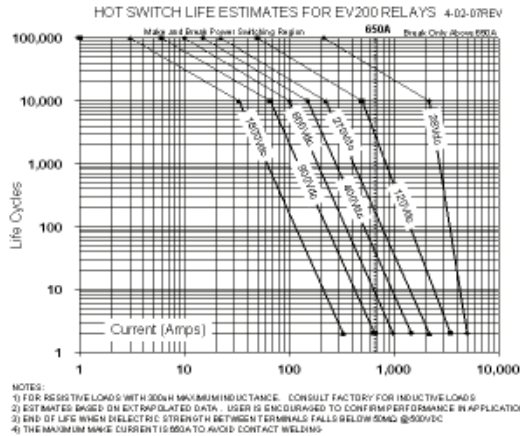
In general, all EV/LEV contactors are designed primarily for connection and interruption of resistive loads and slightly inductive loads (L/R<1ms). High currents (up to 2000A) can be interrupted in case of circuit faults, and high continuous currents upwards of 500A can be maintained through closed contacts. Some important points to consider are:

- a. Closing into current spikes due to uncharged filter capacitors. Capacitors should be pre-charged whenever possible to avoid excessive contact erosion and nuisance welds. Keep inrush current spikes below 650A at all times. Care should also be taken when considering other high-inrush loads such as lamps or motors.
- b. Large current spikes through closed contacts. Large current spikes through closed contacts in excess of 3000A can sometimes cause spot welding or contact levitation.
- c. Circuit inductance. Contactor break-arcs generally last as long as it takes to dissipate the stored inductive energy of the load ($t(\text{arc}) = 1.1 * L/R$).

Longer arcs due to circuit inductance can accelerate contact wear, and in extreme cases, can cause contactor failure. Tyco Electronics recommends that the time constant of the load be less than 1ms for safe operation and maximum life.

Contactors life is a function of the power level switched. Higher make/break currents erode contact materials faster and accelerate loss of dielectric withstanding between the open contacts. Figure 2 can be used as a guideline for estimating product life at a given load.

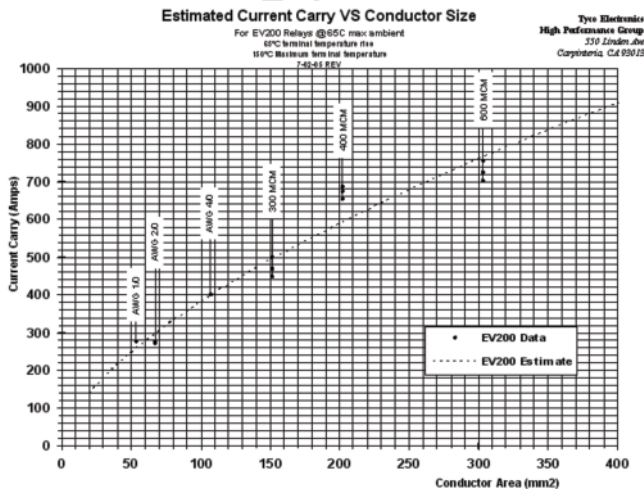
Application Notes for EV/LEV Contactors (Continued)



**Figure 2
Life Cycles vs. Power Switched**

4. Recommended Conductor Sizes for Continuous Current Carry

Many sources exist for recommending the proper conductor size for a given current carry. Many of these sources are concerned primarily with wire insulation safety issues. Cable bundling, conduit types, length of runs, etc., are all important considerations. With regard to a contactor placed in line with the conductors, it is important to make sure that the wire size is sufficient such that the contactor terminals themselves do not overheat, leading to a failure of the device. In most cases, the primary path for removal of heat from the contactor terminals is the conductors themselves. Convection to atmosphere and conduction via the base mountings play a lesser role in this type of contactor due to the nature of the construction. Tyco Electronics has performed basic characterization of many of the styles of contactors discussed herein, and the data is presented in Figure 3. The recommended maximum power terminal temperature for all EV/LEV contactors is 150° C continuous and 175° C for 1 hour.



**Figure 3
Recommended Conductor Sizes**

For applications requiring larger conductors than can practically be installed with single 4/0 AWG cable and lugs, adapter buss extensions can be obtained from Tyco Electronics.

5. Auxiliary Circuits

Auxiliary contacts are available on most models. Configurations available are: SPST-NO, SPST-NC and SPDT. Auxiliary contacts are rated at 125Vac/ 1A or 30Vdc/3A. Contacts with gold plating for low level loads are also available. For circuit voltage below 10V/0.1A, gold contacts are recommended.

The auxiliary contact actuating method will indicate the true position of the main contacts. The auxiliary contact actuation is directly coupled to the main contact moving bridge, and will not indicate "open" unless both contact gaps of the double-make, Form X contact are fully disconnected. Keep in mind that the auxiliary contact is mainly a status indication, and should not be used to directly power other loads such as a relay coil or high power lamp load.

6. Environmental Considerations

All KILOVAC contactors are characterized for operation in thermal, vibration, moisture and fluid environments. Consult the appropriate data sheet for limits concerning shock, vibration, temperature range and altitude limits. In some cases, there may be variations in limits with regard to "specified operation" or "survival only".

7. Custom Configurations

Most parts can be ordered with a variety of combinations of main terminal and coil configurations, auxiliary contacts, interface connectors, coil voltages, etc. If you have a requirement for a particular configuration not shown on the data sheet, consult the factory for information regarding custom configurations.

8. Summary

This Application Note is meant to address some of the more common questions regarding the use of EV/LEV contactors. In all cases, please refer to the applicable product data sheet for specific information. Also, Product Application Engineers are available to answer questions regarding these products by calling 800-253-4560 x2055, or 805-220-2055.

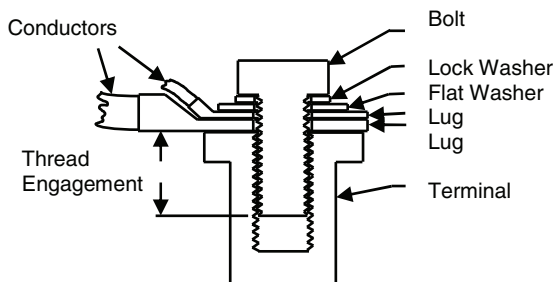
Application Notes for MAP/CAP Contactors

Introduction - Product Capabilities And Typical Applications

Tyco Electronics KILOVAC MAP/CAP contactors are designed to be the highest performance, smallest and lightest weight, sealed High Voltage contactors in the industry. With current carrying capability of up to 500A and power switching up to 200kW, they are used in a variety of commercial aerospace and military applications. Primarily designed to switch resistive loads, they can be used in a variety of circuit applications bearing in mind a few important considerations. This application note focuses on a few of the more common circuit configurations, and what to consider when selecting, installing and using the contactors.

1. Installation

Tyco Electronics KILOVAC MAP/CAP contactors can be mounted in any orientation, and due to the nature of their hermetic seal and isolated enclosure, can be mounted in close proximity to other equipment. However, care must be taken with regard to the termination of the power cables to the main terminals. It is important that the main power connection lugs are mated directly to the terminal seats. Be sure that the hardware stackup is in the proper order, and that washers and other spacers are not placed between the lug and terminal seat. Extraneous connection resistance can cause considerable power dissipation and terminal heating at high current carry. Refer to Figure 1 and Table I for the recommended hardware stackup and torque.



**Figure 1
Main Terminal Hardware Installation**

THREAD ENGAGEMENT(turns)	TORQUE
Less than 5	Use longer fastener
5 TO 7	7.9 Nm (70 in-lb) MAX
7 TO 8	9.0 Nm (80 in-lb) MAX
8 TO 11	9.0 Nm (80 in-lb) 11 Nm (100 in-lb) MAX
Mounting Feet (all)	1.7-3.3 Nm (30-35 in-lb)

Table I

Use the same guidelines and torque maximum values for stud terminal contactors as well.

2. Coils, Drive Circuits and Coil Economizing

Since the power required to close the contacts is generally much greater than the required holding power, many contactors can be packaged with low-profile coils that utilize either an electronic economizer (switchmode PWM, electronic cut-throat), or mechanical cutthroat economizer. The economizer lets-through the higher power required for contact closure, then reduces the power for holding, greatly reducing the coil power consumption and heating. These circuits are packaged with the contactor, and in most cases include coil suppression components as well. For customers who wish to provide their own circuitry, Tyco Electronics can provide suggestions for driving the coils of all versions of contactors. Four types of actuators are typically used:

- a. Single Coil requiring customer economizer circuit
- b. Single Coil with supplied electronic economizer
- c. Dual Coil with supplied mechanical "cut-throat" economizer
- d. Dual Coil with supplied electrical "cut-throat" economizer

The advantages of each type of coil circuit are shown in Table II.

Type	Advantage
Electronic PWM	Operates over widest voltage range
Electronic CT	Simple, Robust, EMC Compliant
Mechanical CT	Simple, robust, fastest operate time
Single Coil - (customer economized)	Flexibility, lower initial cost

**Table II
Coil Configurations**

3. Load Types and Power Switching Recommendations

In general, all MAP/CAP contactors are designed primarily for connection and interruption of resistive loads and slightly inductive loads (L/R < 1ms). High currents (up to 2000A) can be interrupted in case of circuit faults, and high continuous currents upwards of 500A can be maintained through closed contacts. Some important points to consider are:

- a. Closing into current spikes due to uncharged filter capacitors. Capacitors should be pre-charged whenever possible to avoid excessive contact erosion and nuisance welds. Keep inrush current spikes below 650A at all times. Care should also be taken when considering other high-inrush loads such as lamps or motors.

Application Notes for MAP/CAP Contactors (Continued)

- b.** Large current spikes through closed contacts. Large current spikes through closed contacts in excess of 3000A can sometimes cause spot welding or contact levitation. Consult with the factory if your application requires passing large current pulses. Many contactors can be ordered with "Dual Contact" arrangements (Arcing contacts of harder material in parallel with high current carry material).
- c.** Circuit inductance. Contactor break-arcs generally last as long as it takes to dissipate the stored inductive energy of the load ($t(\text{arc}) = 1.1 \cdot L/R$).

Longer arcs due to circuit inductance can accelerate contact wear, and in extreme cases, can cause contactor failure. Tyco Electronics recommends that the time constant of the load be less than 1ms for safe operation and maximum life.

Contactor life is a function of the power level switched. Higher make/break currents erode contact materials faster and accelerate loss of dielectric withstanding between the open contacts. Figure 2 can be used as a guideline for estimating product life at a given load.

Longer arcs due to circuit inductance can accelerate contact wear, and in extreme cases, can cause contactor failure. Tyco Electronics recommends that the time constant of the load be less than 1ms for safe operation and maximum life.

Contactor life is a function of the power level switched. Higher make/break currents erode contact materials faster and accelerate loss of dielectric withstanding between the open contacts. Figure 2 can be used as a guideline for estimating product life at a given load.

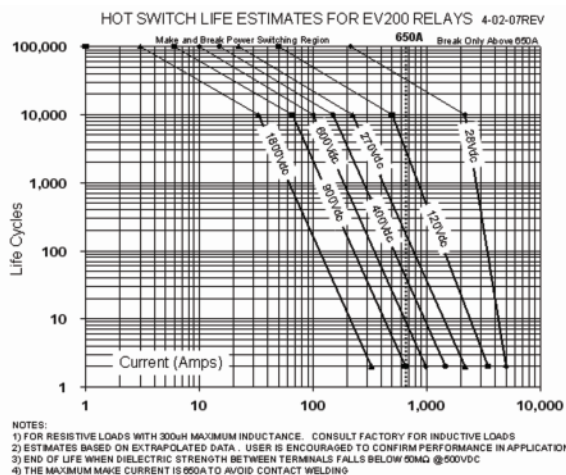


Figure 2
Life Cycle vs. Power Switched

4. Recommended Conductor Sizes for Continuous Current Carry

Many sources exist for recommending the proper conductor size for a given current carry. Many of these sources are concerned primarily with wire insulation safety issues. Cable bundling, conduit types, length of runs, etc., are all important considerations. With regard to a contactor placed in line with the conductors, it is important to make sure that the wire size is sufficient such that the contactor terminals themselves do not overheat, leading to a failure of the device. In most cases, the primary path for removal of heat from the contactor terminals is the conductors themselves. Convection to atmosphere and conduction via the base mountings play a lesser role in this type of contactor due to the nature of the construction. Tyco Electronics has performed basic characterization of many of the styles of contactors discussed herein, and the data is presented in Figure 3.

The recommended maximum power terminal temperature for all MAP/CAP contactors is 150° C continuous and 175° C for 1 hour.

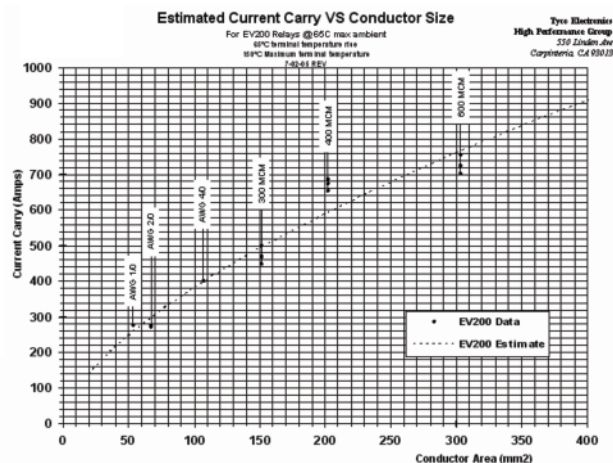


Figure 3
Recommended Conductor Sizes

For applications requiring larger conductors than can practically be installed with single 4/0 AWG cable and lugs, adapter buss extensions can be obtained from Tyco Electronics.

5. Auxiliary Circuits

Auxiliary contacts are available on most models. Configurations available are: SPST-NO, SPST-NC and SPDT. Auxiliary contacts are rated at 125Vac/ 1A or 30Vdc/3A. Contacts with gold plating for low level loads are also available. For circuit voltage below 10V/0.1A, gold contacts are recommended. The auxiliary contact actuating method will indicate the true position of the main contacts. The auxiliary contact actuation is directly coupled to the main contact moving bridge, and will not indicate "open" unless both contact gaps of the double-make, Form X contact are fully disconnected. Keep in mind that the auxiliary contact is mainly a status indication, and should not be used to directly power other loads such as a relay coil or high power lamp load.

Application Notes for MAP/CAP Contactors (Continued)

6. Environmental Considerations

All Tyco Electronic KILOVAC contactors are characterized for operation in thermal, vibration, moisture and fluid environments. Consult the appropriate data sheet for limits concerning shock, vibration, temperature range and altitude limits. In some cases, there may be variations in limits with regard to "specified operation" or "survival only".

7. Custom Configurations

Most parts can be ordered with a variety of combinations of main terminal and coil configurations, auxiliary contacts, interface connectors, coil voltages, etc. If you have a requirement for a particular configuration not shown on the data sheet, consult the factory for information regarding custom configurations.

8. Summary

This Application Note is meant to address some of the more common questions regarding the use of MAP/CAP contactors. In all cases, please refer to the applicable product data sheet for specific information.

Also, Product Application Engineers are available to answer questions regarding these products by calling 800-253-4560 x2055, or 805-220-2055.

Application Notes on Coil Power Economizing using PWM Circuits

Introduction - Reducing Coil Power Dissipation through the use of PWM Circuits

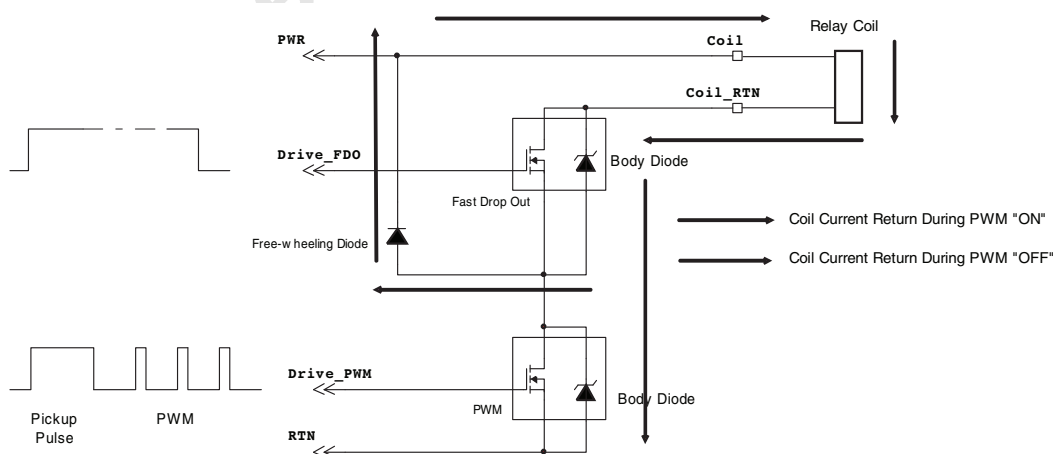
The coil power of most Tyco Electronics KILOVAC Relays and Contactors can be reduced after Pickup by using several economizing schemes. One of the most popular methods used in many of our standard products, and one that is suitable for implementation by customers, is the Pulse Width Modulated (PWM) coil driver.

In the circuit shown, the "Fast Dropout" (FDO) and PWM driver are energized simultaneously for a sufficient time to allow the contacts to fully close. The PWM driver is then modulated such that the stored coil energy is utilized during the PWM driver "OFF" time to circulate holding current through the FDO driver and freewheeling diode. Since the holding current is much lower than the current required for pickup, the holding power for the contacts is greatly reduced.

1. Typical PWM Coil Drive Circuit

Figure 1 shows a typical PWM coil drive/economizer circuit.

The Fast Dropout circuit allows for the switching in/out of the "free-wheeling" diode. When power is removed, the FDO and PWM drivers will turn off, causing the stored energy of the coil to be rapidly dissipated in the body diodes. This minimizes the decay time of the coil current and facilitates a fast opening of the relay contacts.



Fast Drop-out FET stays on during operation. FDO and Power can be applied simultaneously

Filtering/Protection should be applied to FET gates as required.

For higher energy coils, additional TVS protection may be required across FET drain-to-source.

**Figure 1
Coil Drive Circuit**

Application Notes on Coil Power Economizing using PWM Circuits (Continued)

This fast opening is useful for circuit interruption, and it allows the over travel mechanism of the contact actuator to work effectively in breaking minor contact welds that may occur when closing the contacts.

Allowing the free-wheeling diode to remain across the coil would significantly increase the contact opening time and opening speed, and possibly result in nuisance contact welds and/or reduced capability to interrupt circuit currents.

If additional diodes are required to protect the FET body diodes, select a Transient Voltage Suppressor (TVS) diode with a breakdown rating lower than that of the driver FET body diode. In general, a higher voltage TVS diode will result in faster contact opening and higher clamping voltage, while a lower voltage TVS diode will result in slower contact opening and lower clamping voltage. For more detailed information regarding TVS diode selection, contact Tyco Electronics and request the report titled [DC Relay Magnetic Energy Determination and Transient Voltage suppressor Diode Selection](#).

1.1 Recommended Operating Frequency and Duty Cycle

The frequency at which the PWM circuit is operated should be high enough such that the oscillation of the coil current does not lead to audible noise being generated by the magnetic components and coil winding. For most KILOVAC contactors, a coil drive frequency > 15 kHz is usually sufficient to ensure that nuisance audible noise is not generated. The PWM duty cycle required for economizing power while maintaining sufficient holding force can be calculated from the required holding current as follows:

$$\text{Duty Cycle(\%)} = (I_{\text{hold}} \cdot R(T)_{\text{Coil}} / V_{\text{source}}) \cdot 100 \quad (1)$$

Where:

R(T) = Coil Resistance at Temperature

I_{hold} = Required Holding Current

V_{source} = Source Voltage

Contact Tyco Electronics regarding the minimum required hold current needed for a particular Part Number. In general, divide the specified dropout voltage by the coil resistance at 20°C, and add 25% above that to get an estimate of the value to use in equation (1) for I_{hold}.

2.0 Summary

This Application Note is meant to address some of the more common questions regarding the use of PWM circuits for coil power economization. In all cases, please refer to the applicable product data sheet for specific information.

Tyco Electronics can also recommend alternative solutions for mechanical dual-coil economizers, as well as “Electronic Cut-Throat” economizers. Product Application Engineers are available to answer questions regarding this subject by calling 800-253-4560 x2055, or 805-220-2055.

Engineering Notes

