

PART
NAME

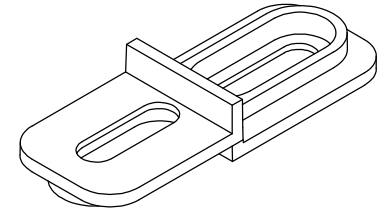
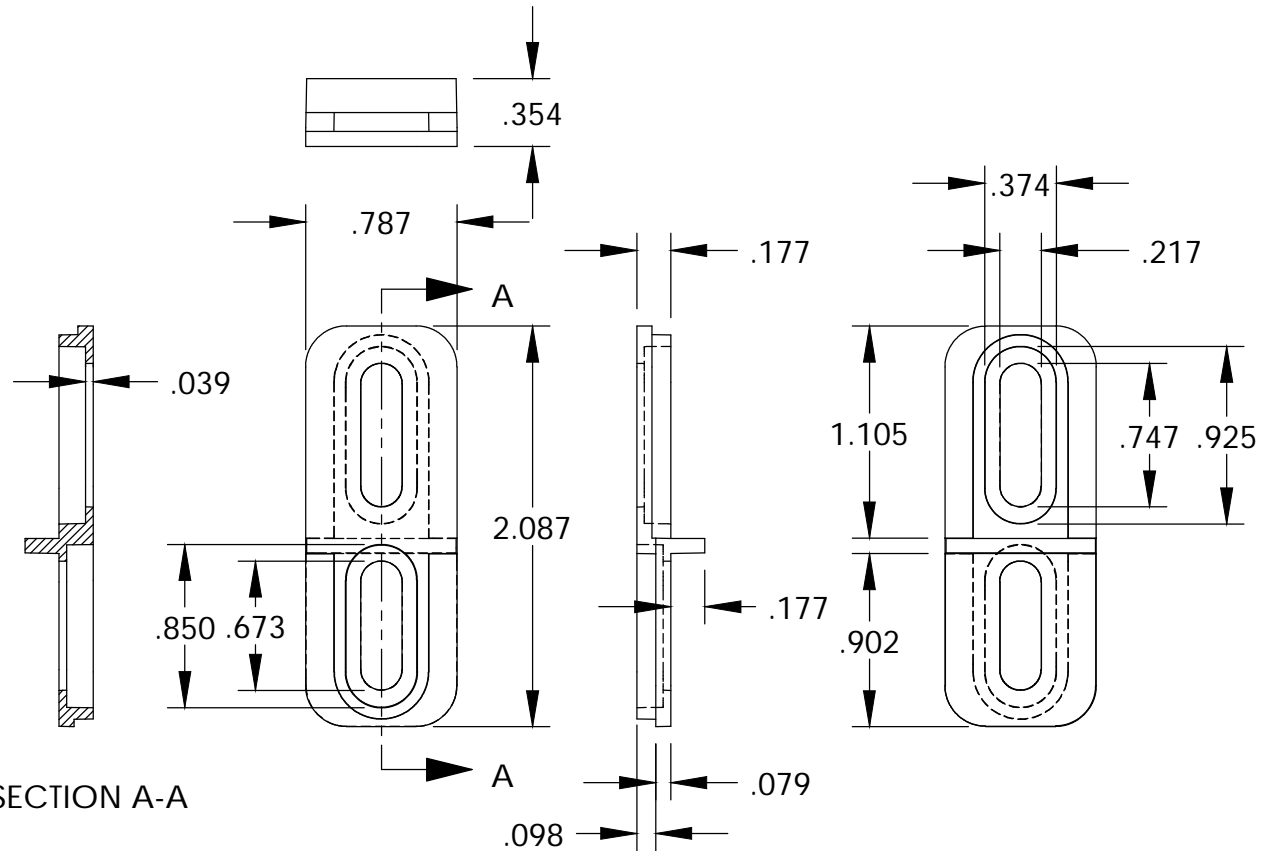
DIE CAST EXTERNAL MOUNTING BRACKETS

PART
No.

ANX-1390 ANX-1390-B
ANX-1390-G

REV.
DATE

-



MATERIAL - ALUMINUM ALLOY ADC-12

FINISH - NATURAL (NO SUFFIX PART NO.)
- SMOOTH BLACK (-B SUFFIX PART NO.)
- SMOOTH GRAY (-G SUFFIX PART NO.)

KIT INCLUDES: QTY. (4) BRACKETS AND
QTY. (4) M5x0.8 x 10mm (.394") LG.
SELF-TAPPING ZINC PLATED SCREWS

