



PART NAME

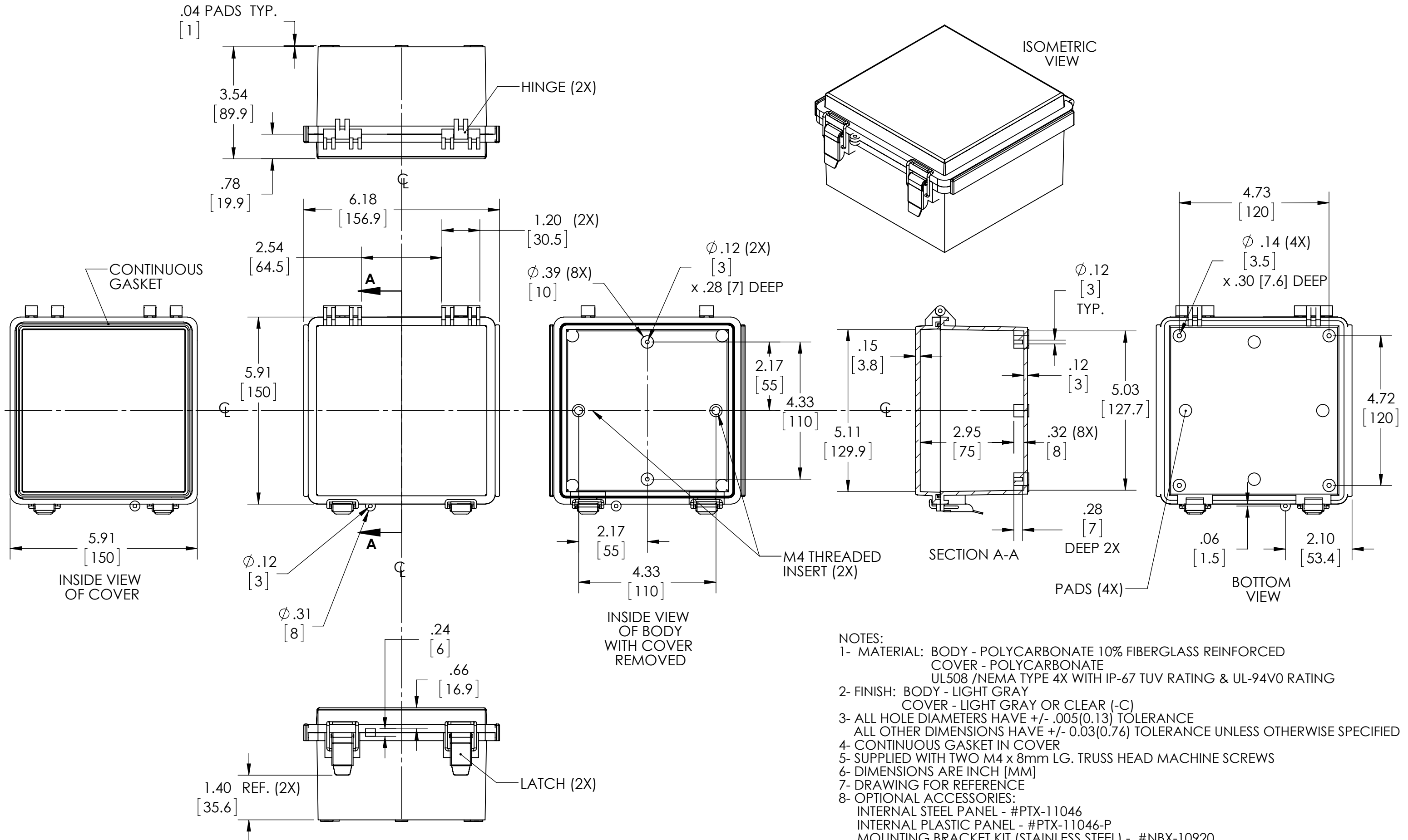
PTQ SERIES ENCLOSURE

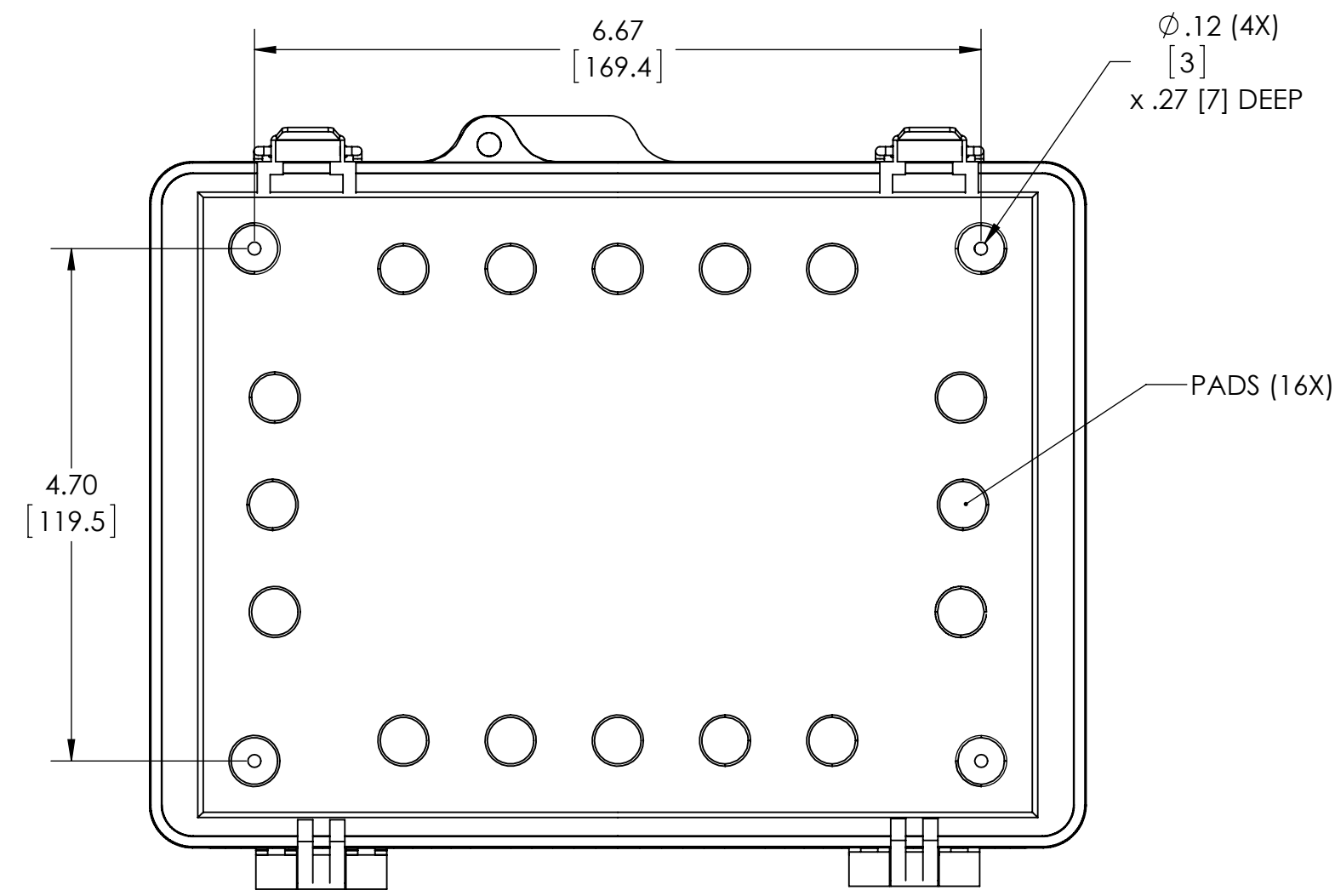
PART No.

PTQ-11046 & PTQ-11046-C

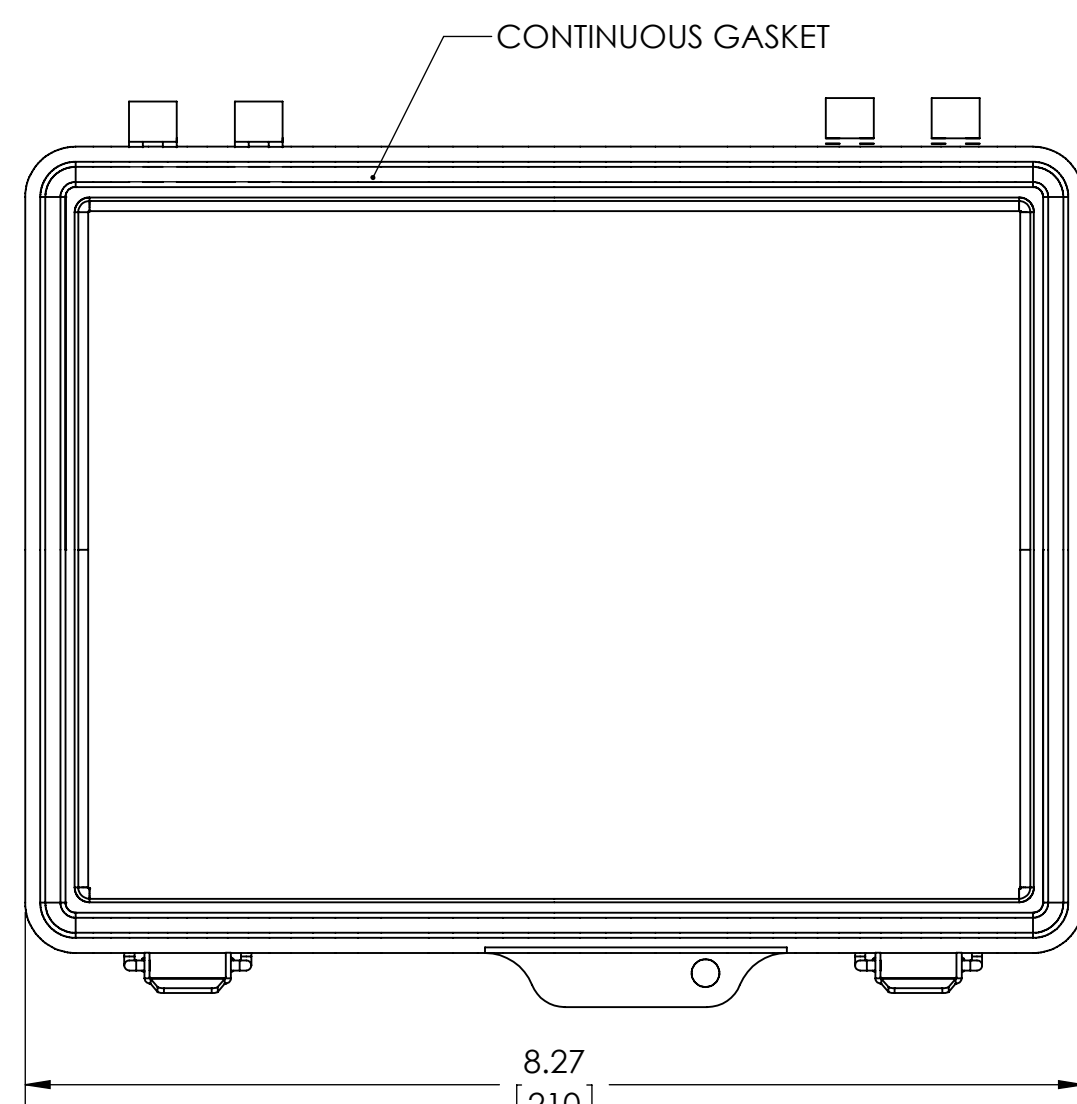
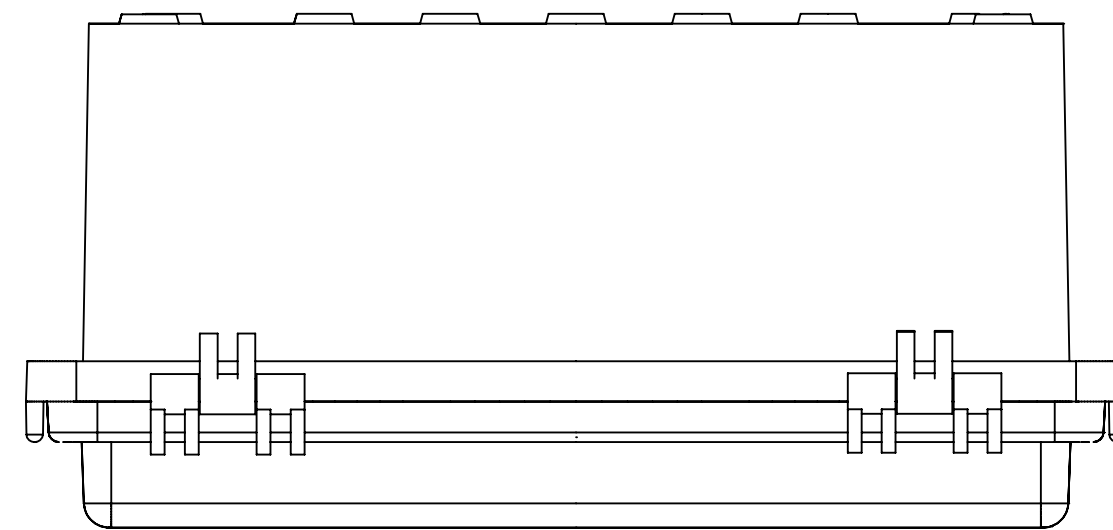
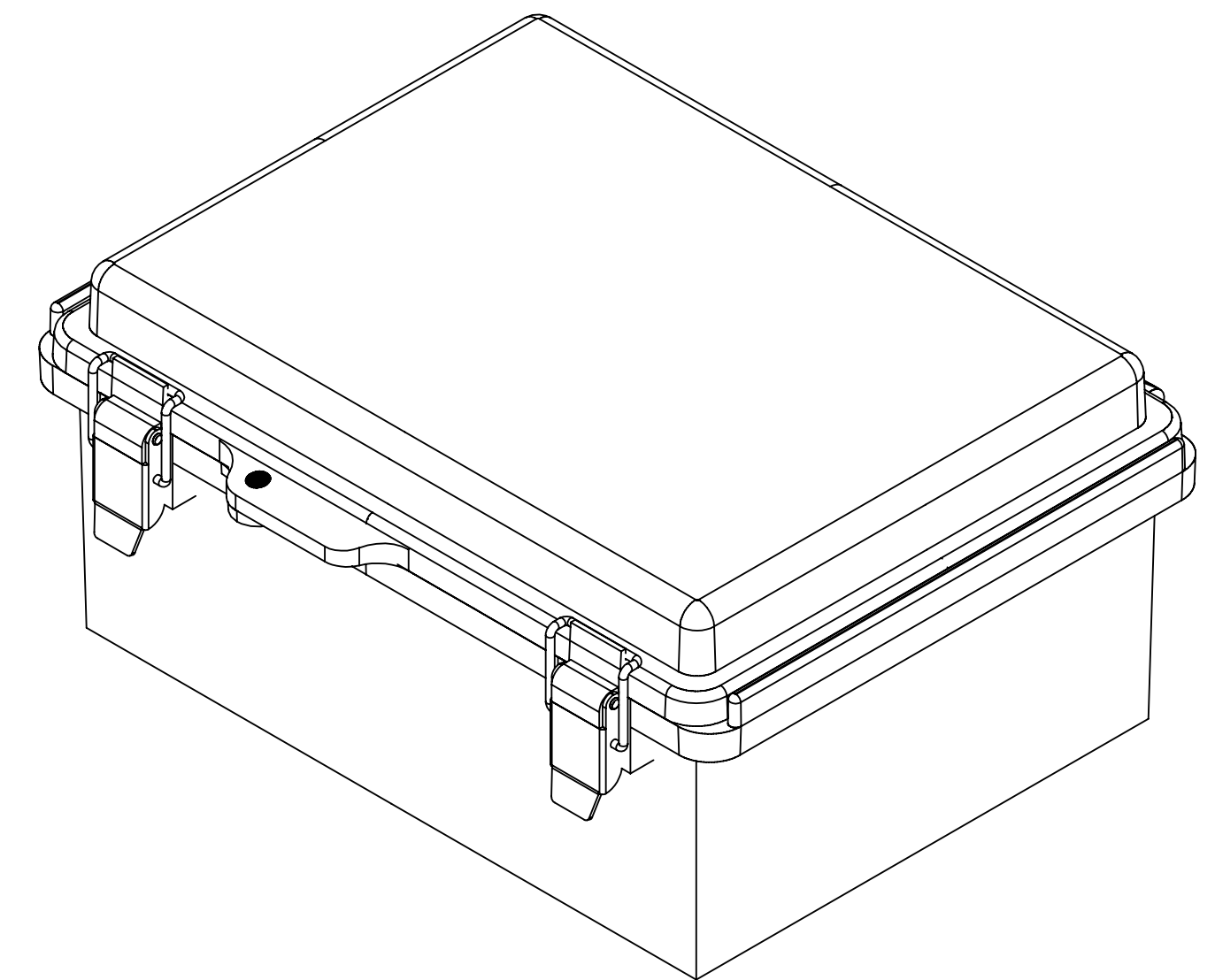
REVISION DATE

12-2-15

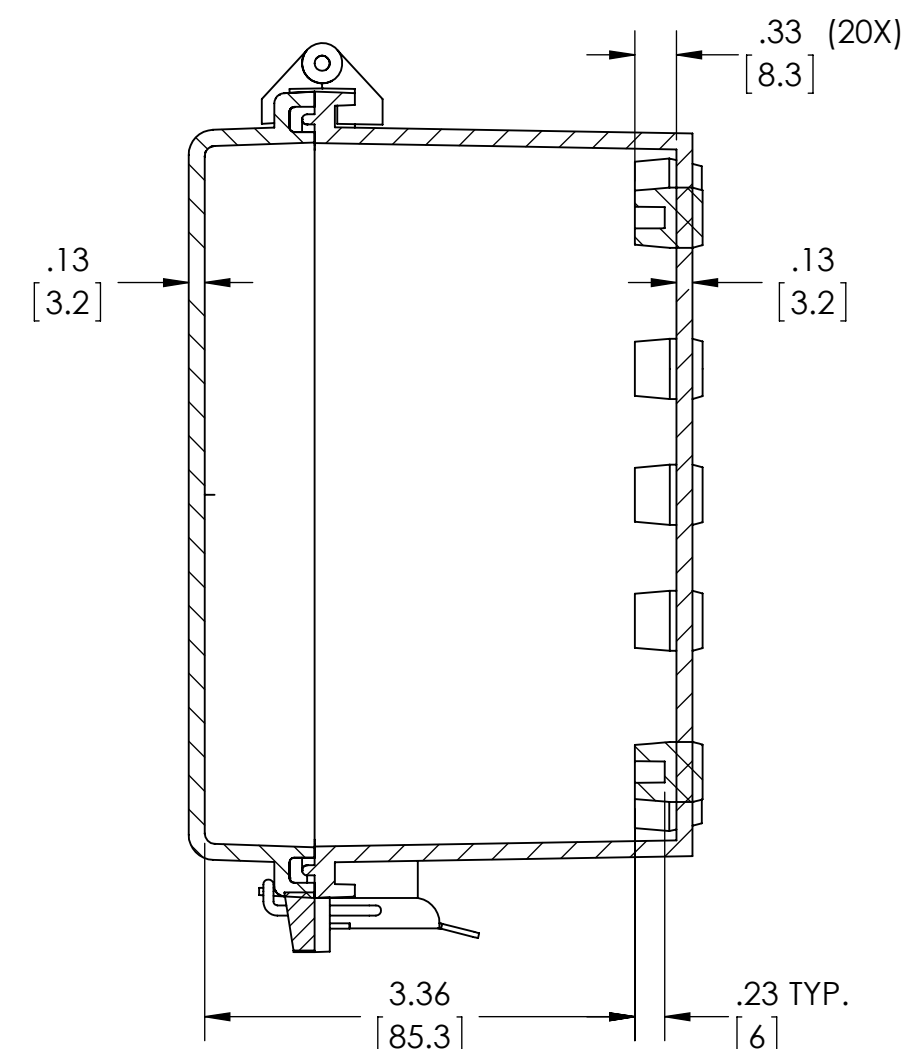
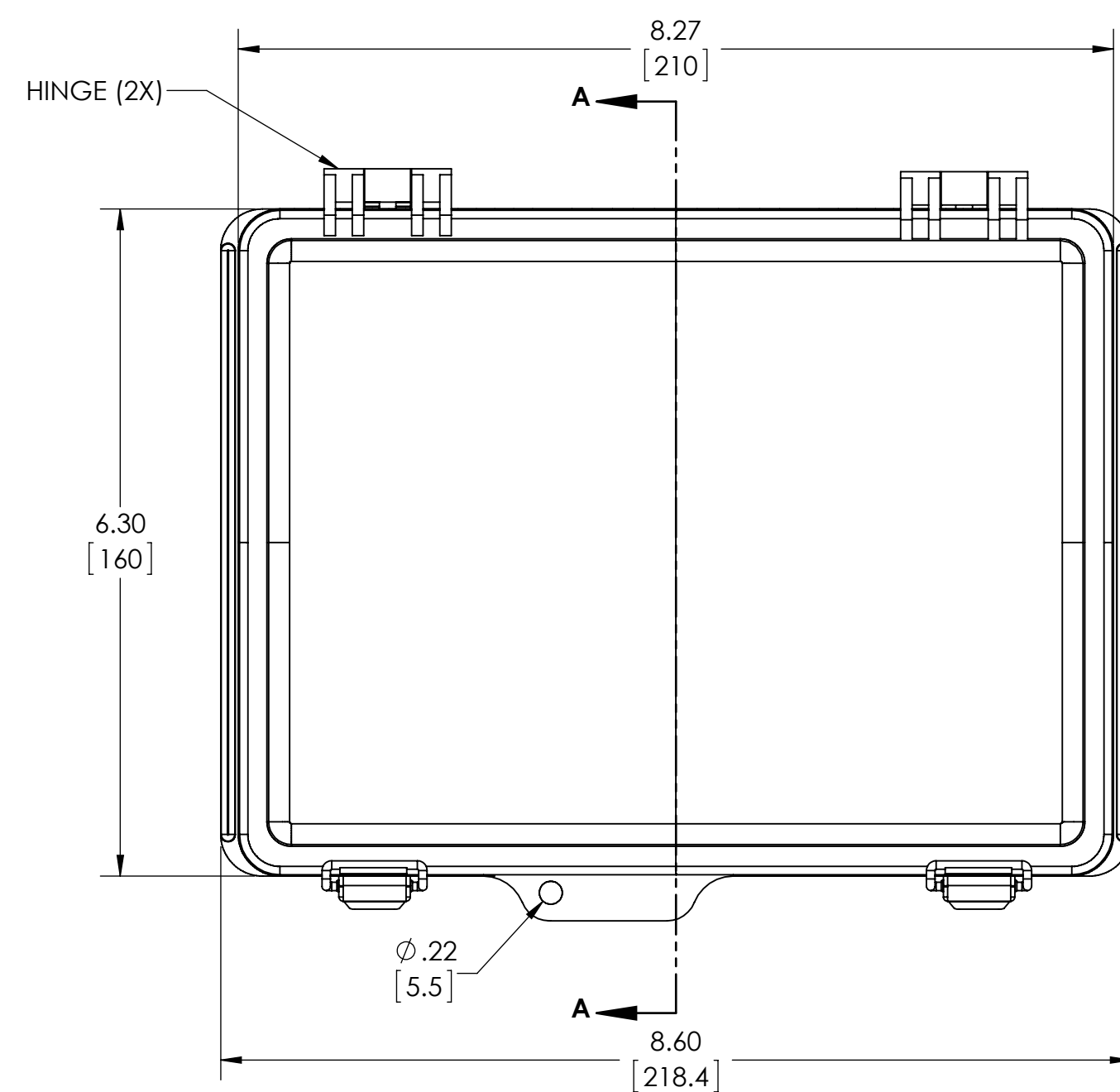




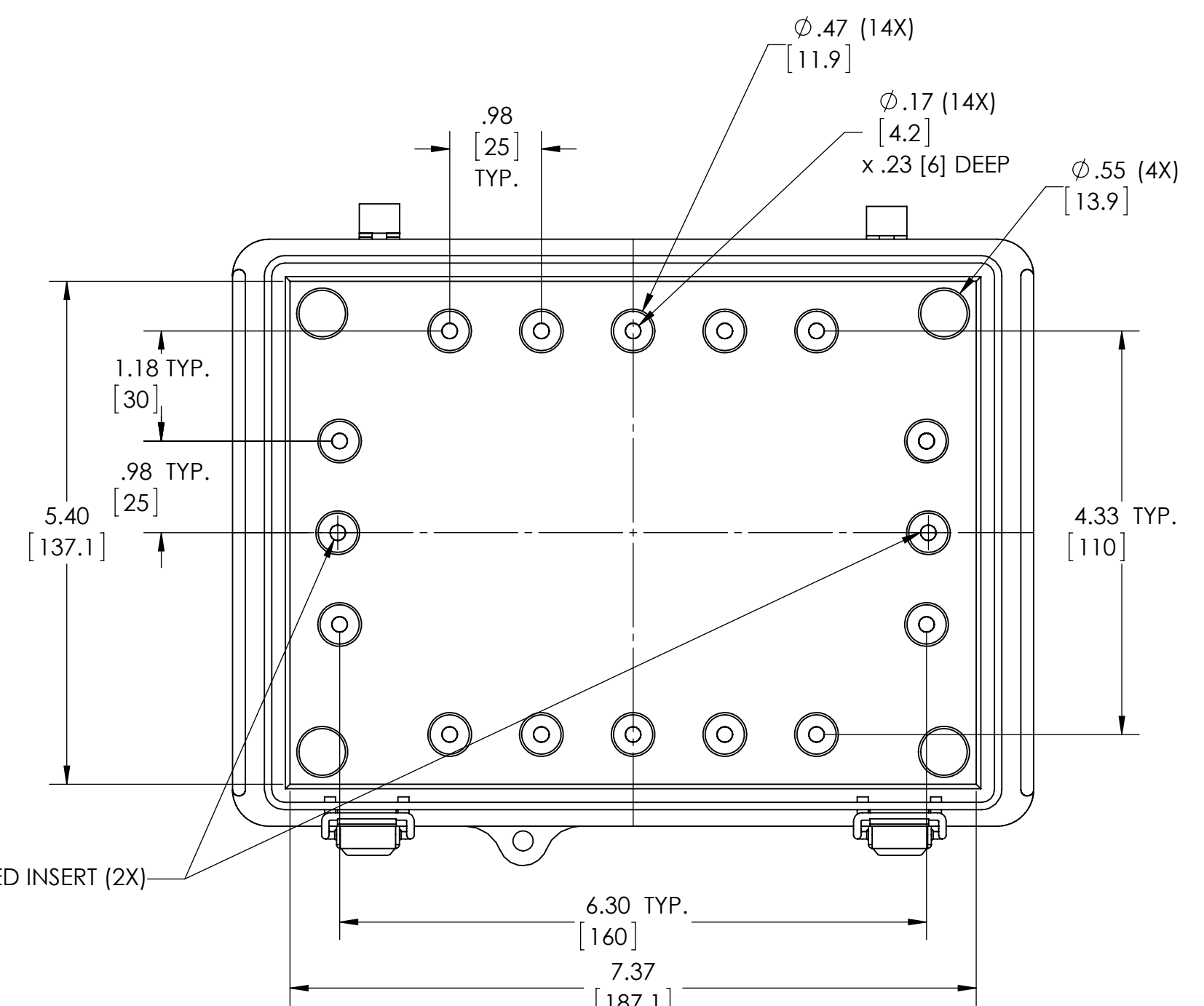
BOTTOM VIEW



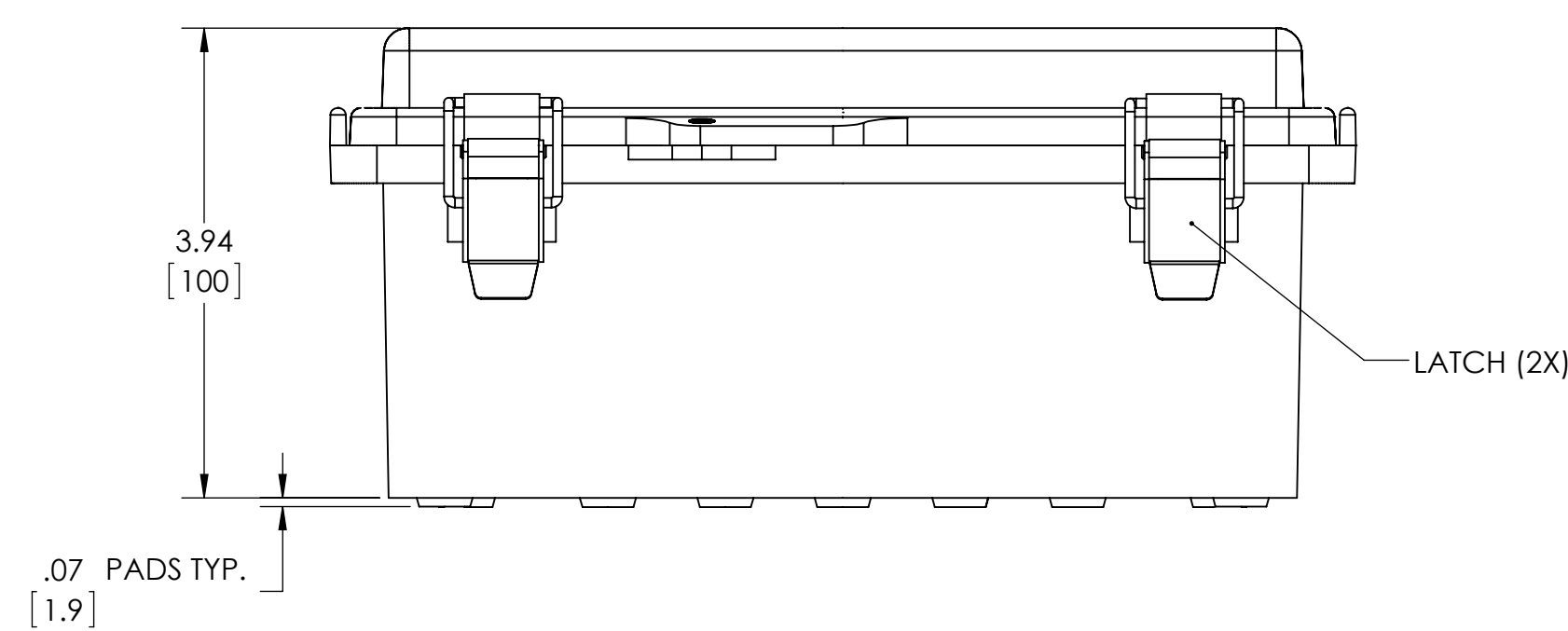
INSIDE VIEW OF COVER



SECTION A-A
SCALE 1 : 1.5



INSIDE VIEW OF BODY



- NOTES:
- MATERIAL: BODY - POLYCARBONATE 10% FIBERGLASS REINFORCED
COVER - POLYCARBONATE
UL508 /NEMA TYPE 4X WITH IP-67 TUV RATING & UL-94V0 RATING
 - FINISH: BODY - LIGHT GRAY
COVER - LIGHT GRAY OR CLEAR (-C)
 - ALL HOLE DIAMETERS HAVE +/- .005(0.13) TOLERANCE
ALL OTHER DIMENSIONS HAVE +/- 0.03(0.76) TOLERANCE UNLESS OTHERWISE SPECIFIED
 - CONTINUOUS GASKET IN COVER
 - SUPPLIED WITH TWO M4 x 8mm LG. TRUSS HEAD MACHINE SCREWS
 - DIMENSIONS ARE INCH [MM]
 - DRAWING FOR REFERENCE
 - OPTIONAL ACCESSORIES:
INTERNAL STEEL PANEL - #PTX-11048
INTERNAL PLASTIC PANEL - #PTX-11048-P
MOUNTING BRACKET KIT (STAINLESS STEEL) - #NBX-10920
MOUNTING BRACKET KIT (PLASTIC) - #PIX-4117



PART NAME

PTQ SERIES ENCLOSURE

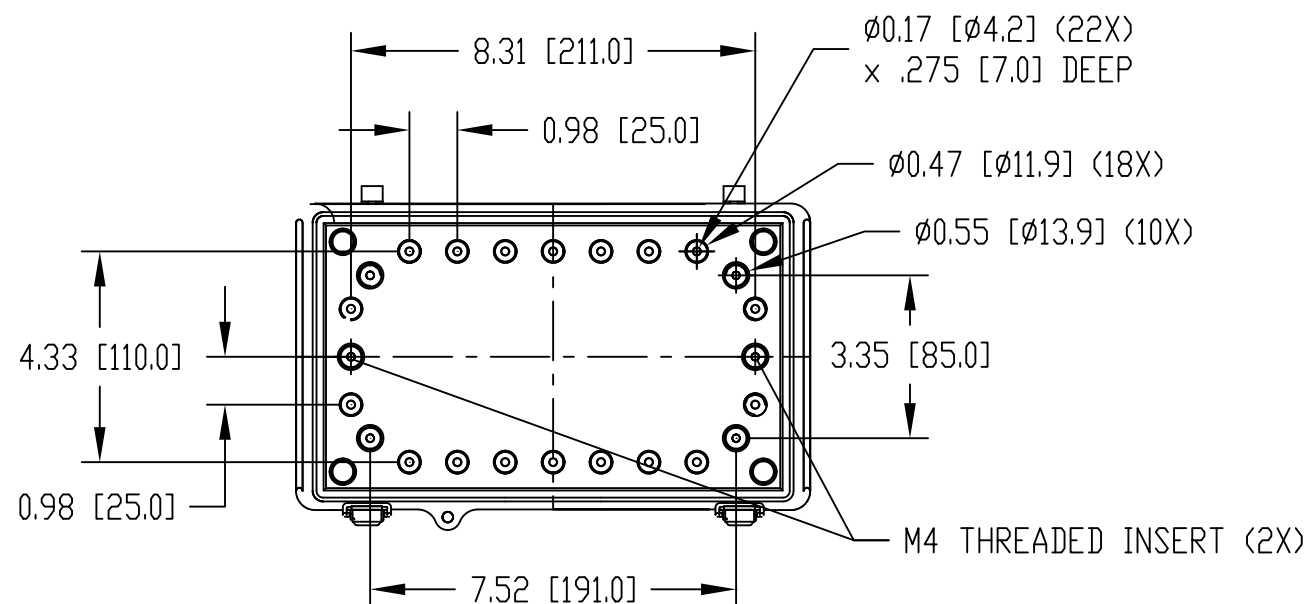
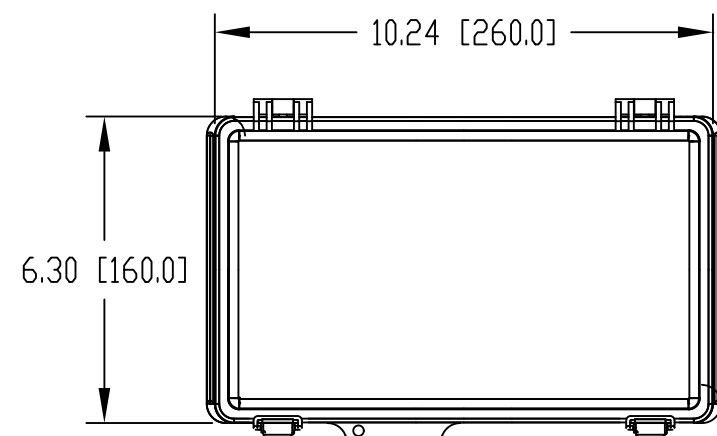
PART No.

PTQ-11050

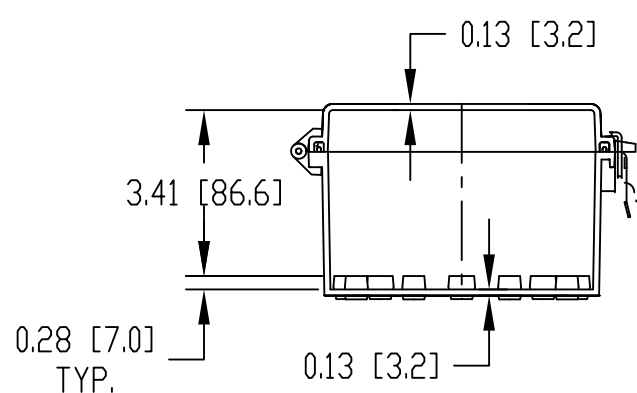
PTQ-11050-C

REV. DATE

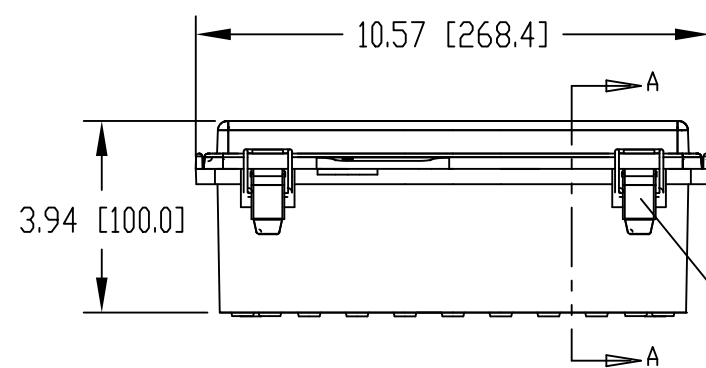
12-2-15



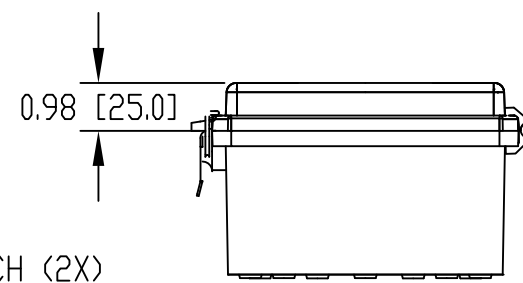
INSIDE VIEW OF BODY WITH COVER REMOVED



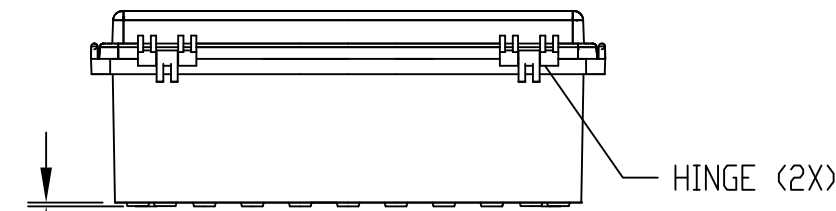
SECTION A-A



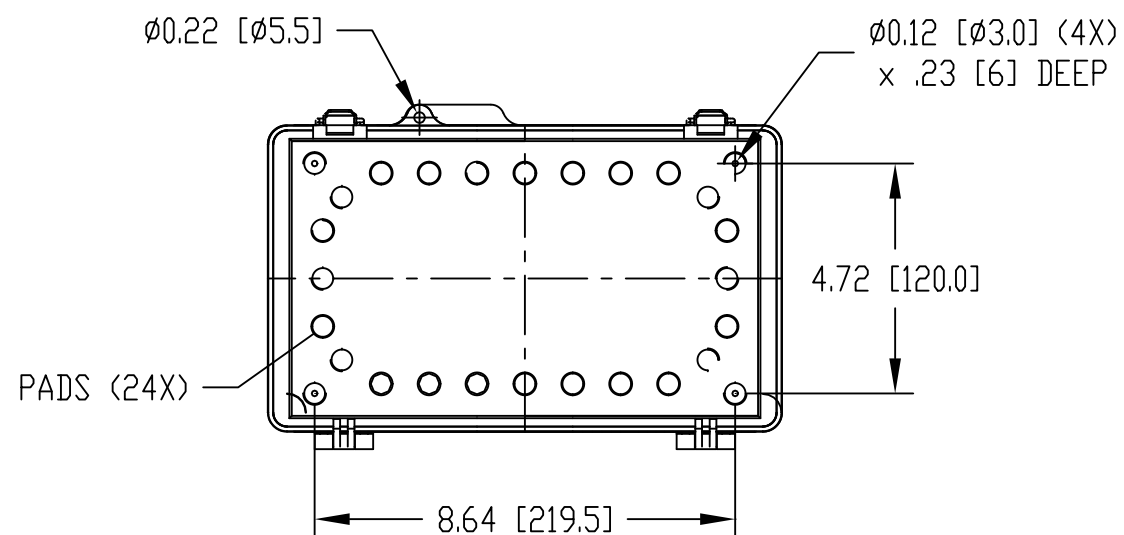
LATCH (2X)



0.08 [2.0] PADS



HINGE (2X)



PADS (24X)

MATERIAL:

BODY - POLYCARBONATE RESIN 10% GLASS FIBER FILLED
COVER - POLYCARBONATE

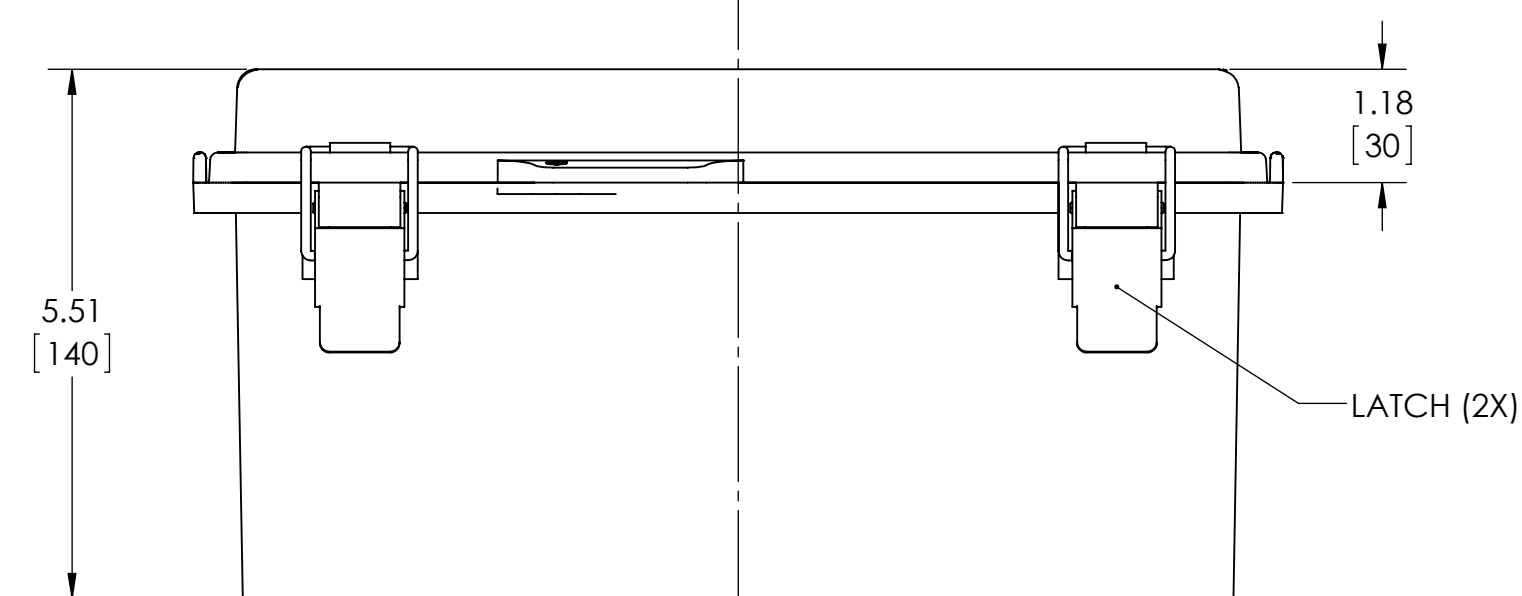
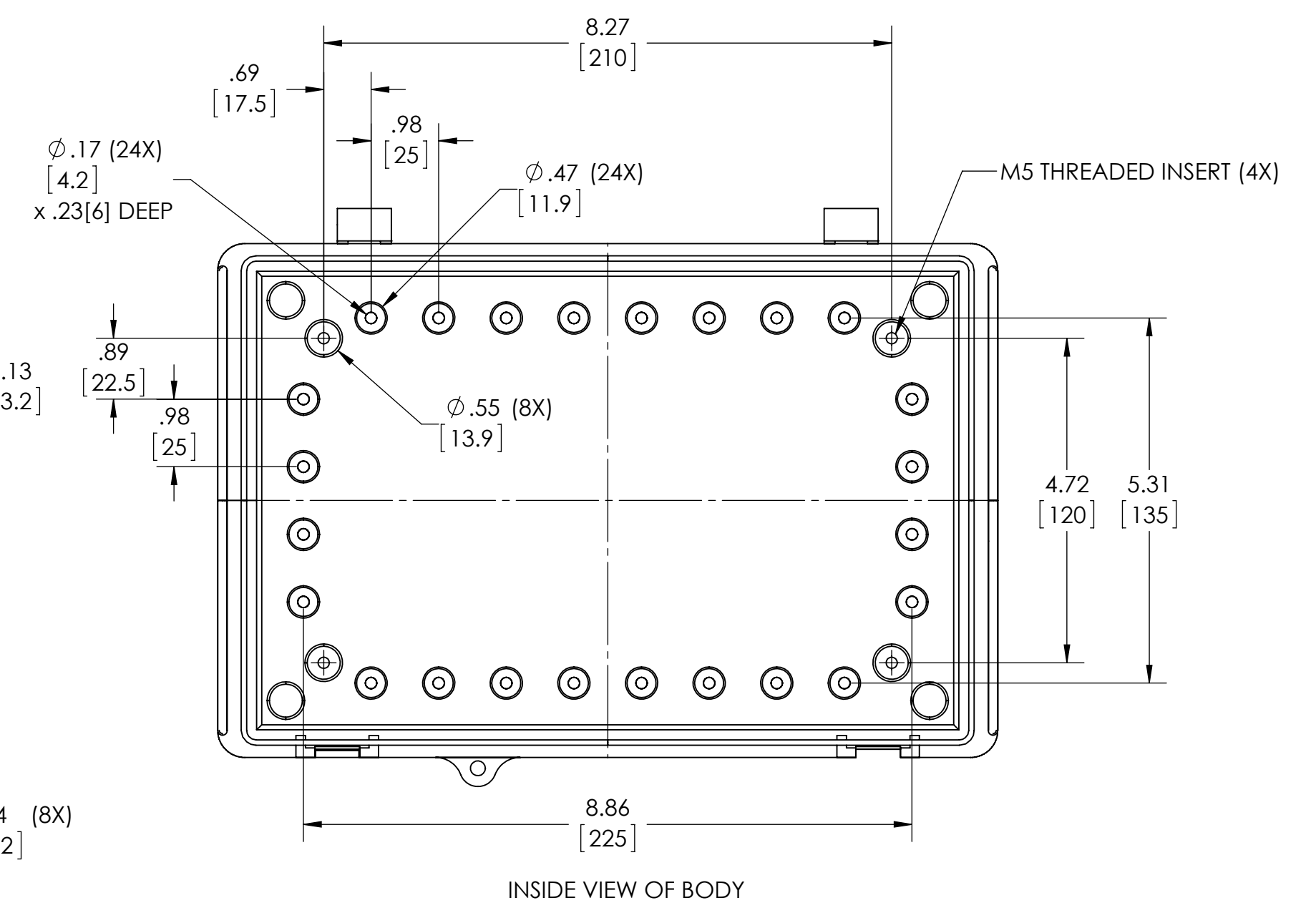
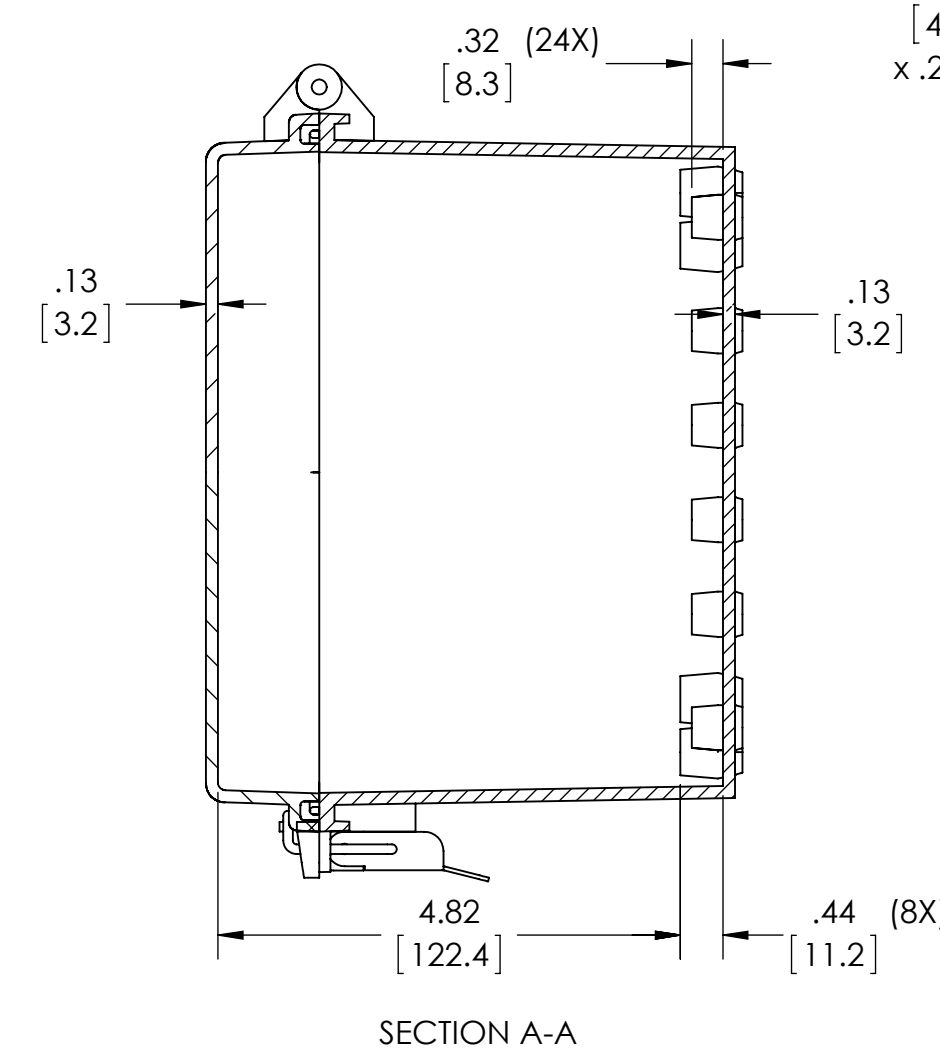
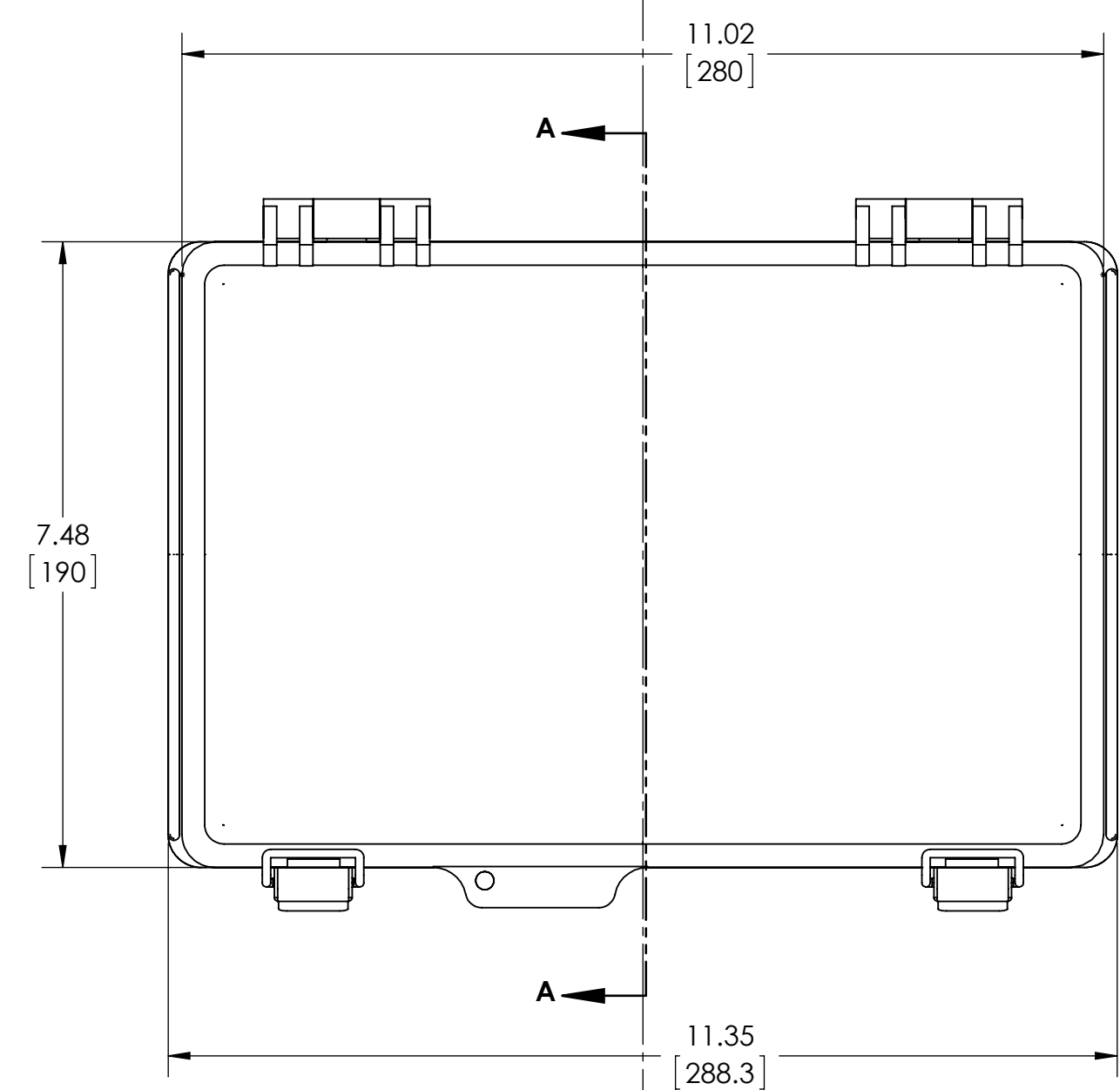
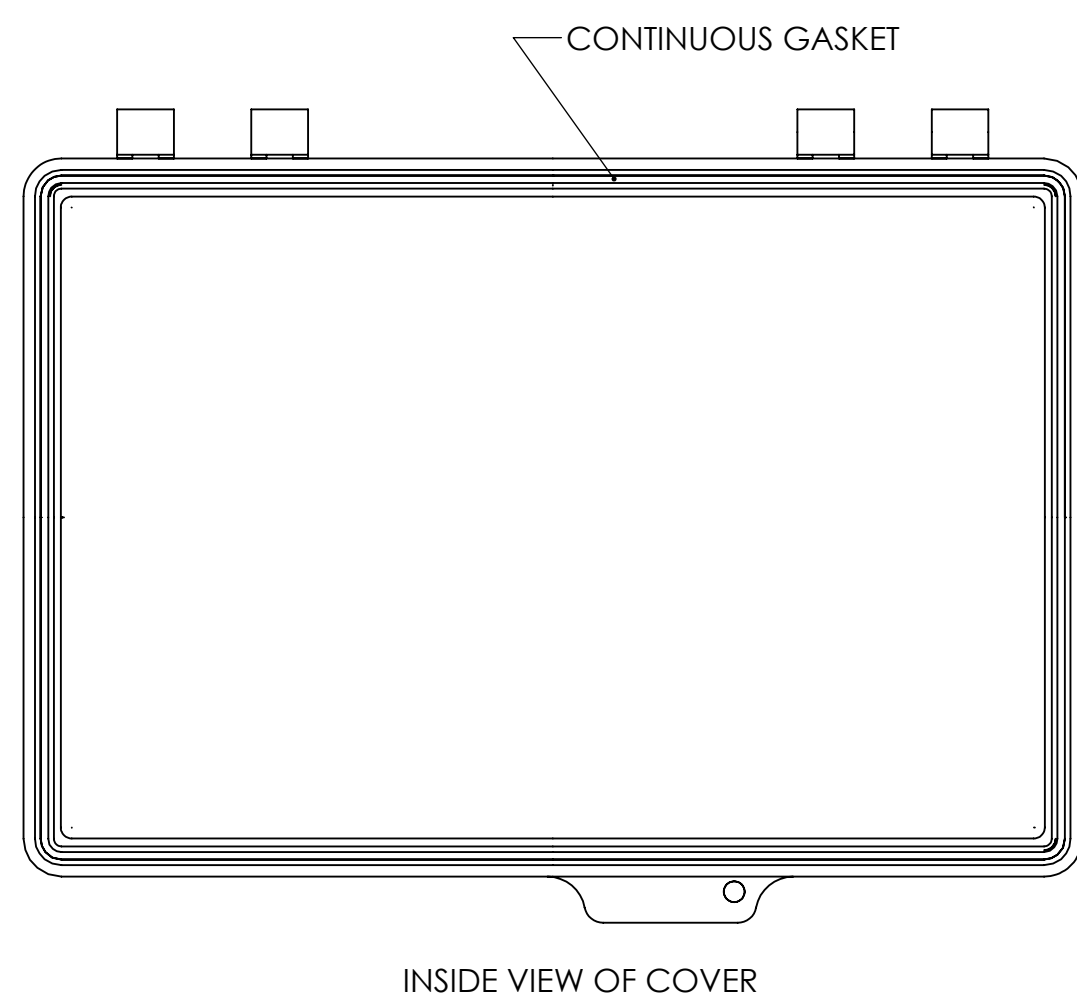
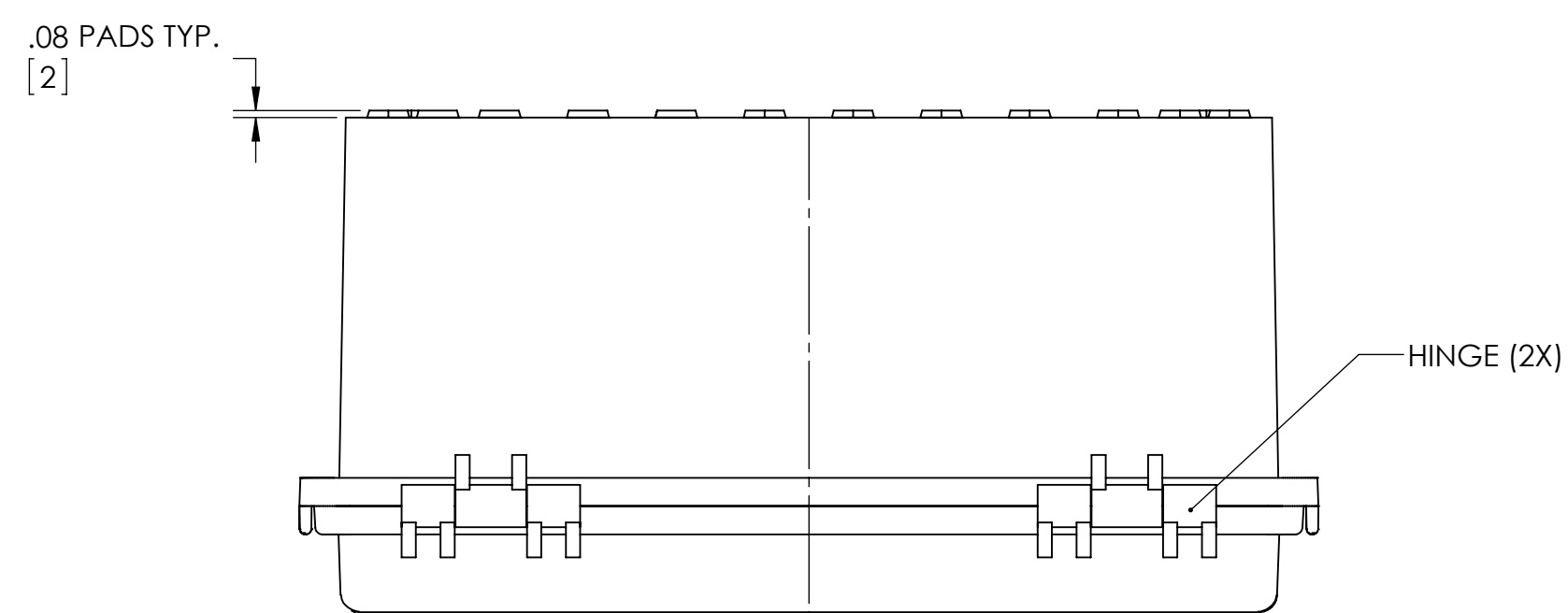
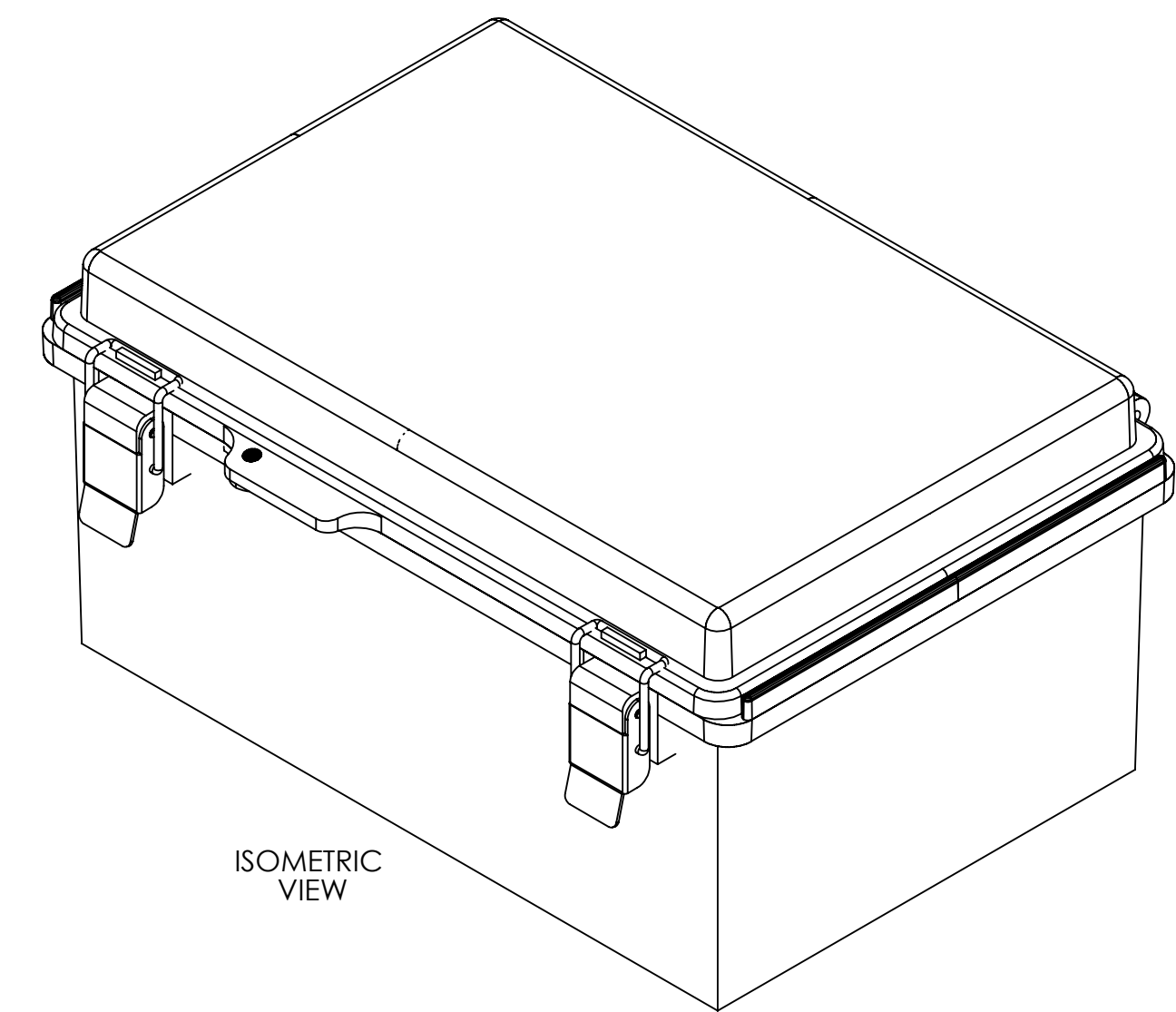
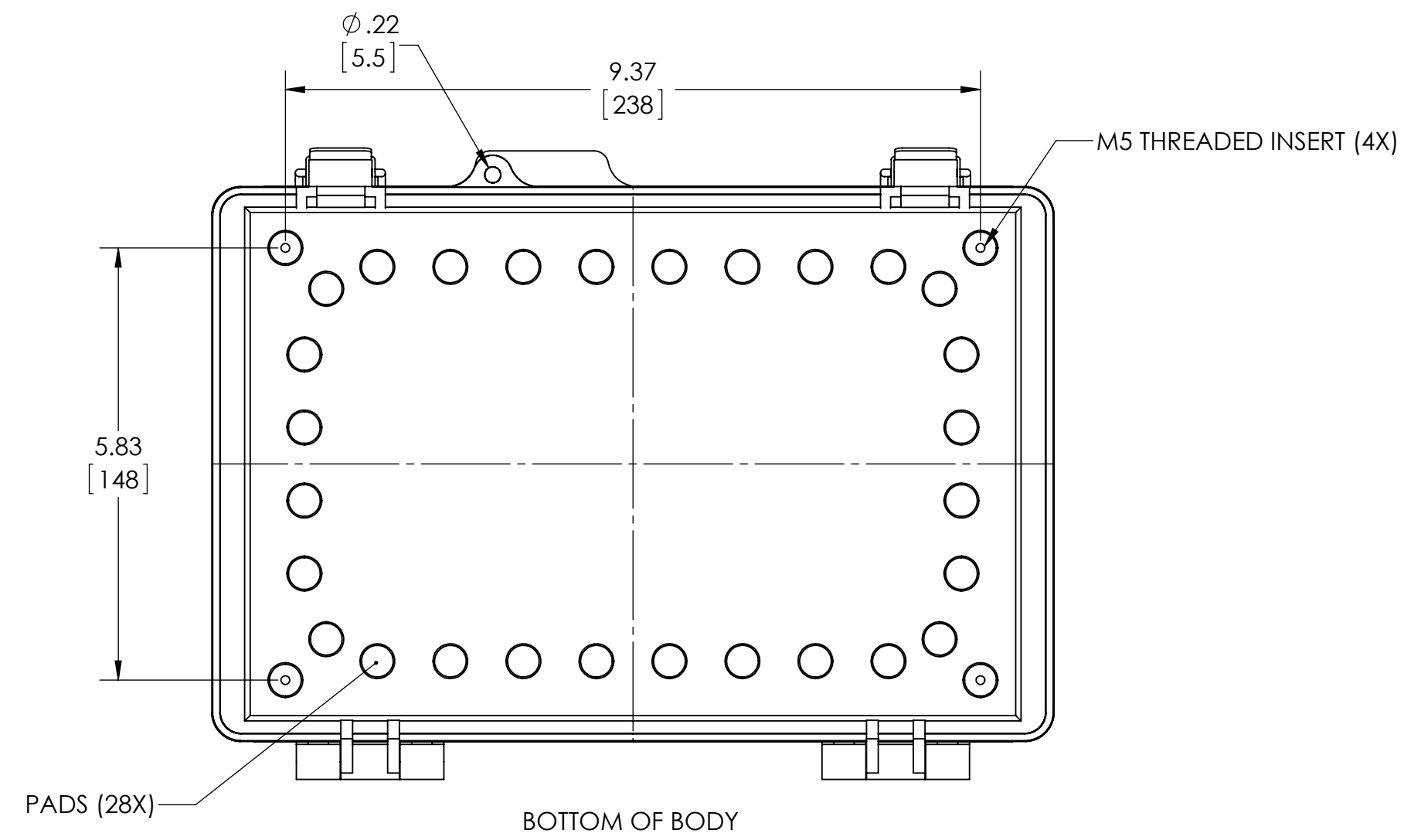
COLOR:

BODY - LIGHT GRAY
COVER - LIGHT GRAY OR CLEAR (SUFFIX -C)

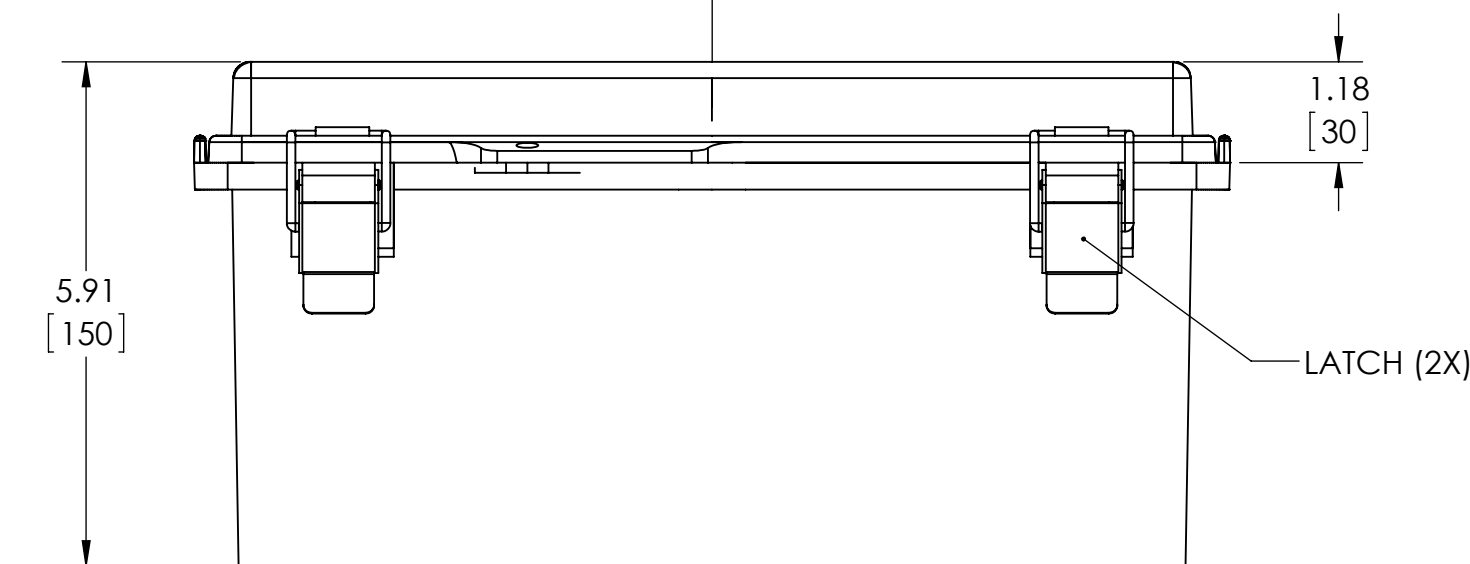
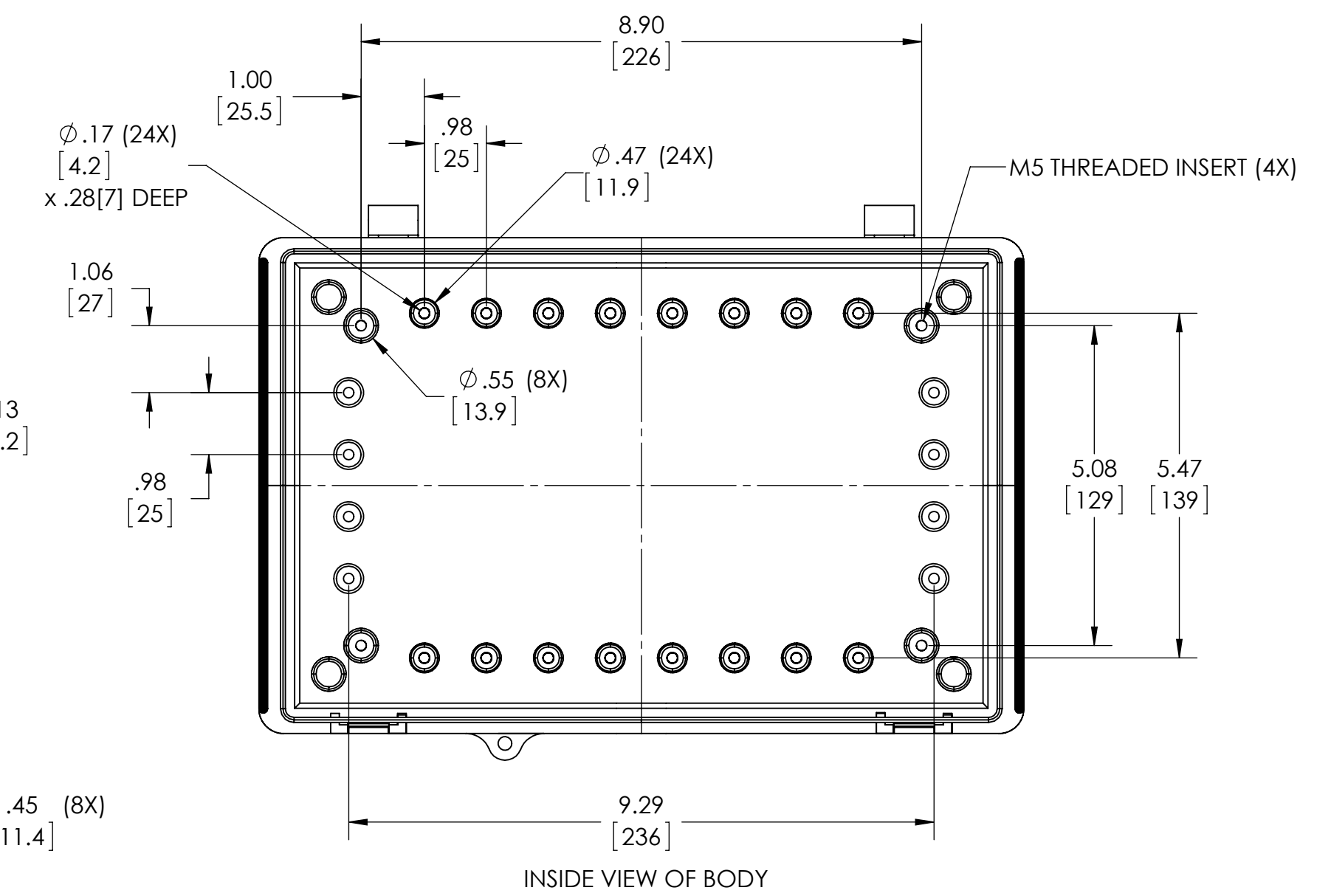
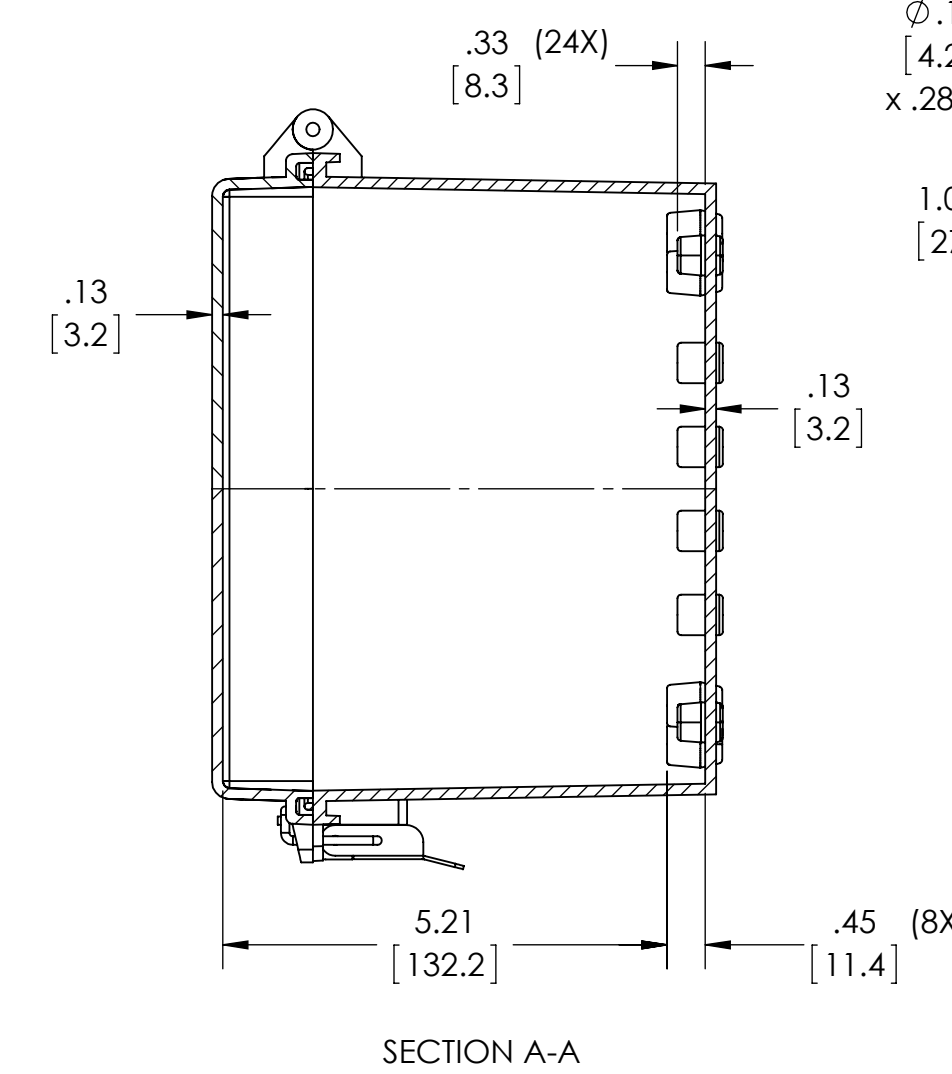
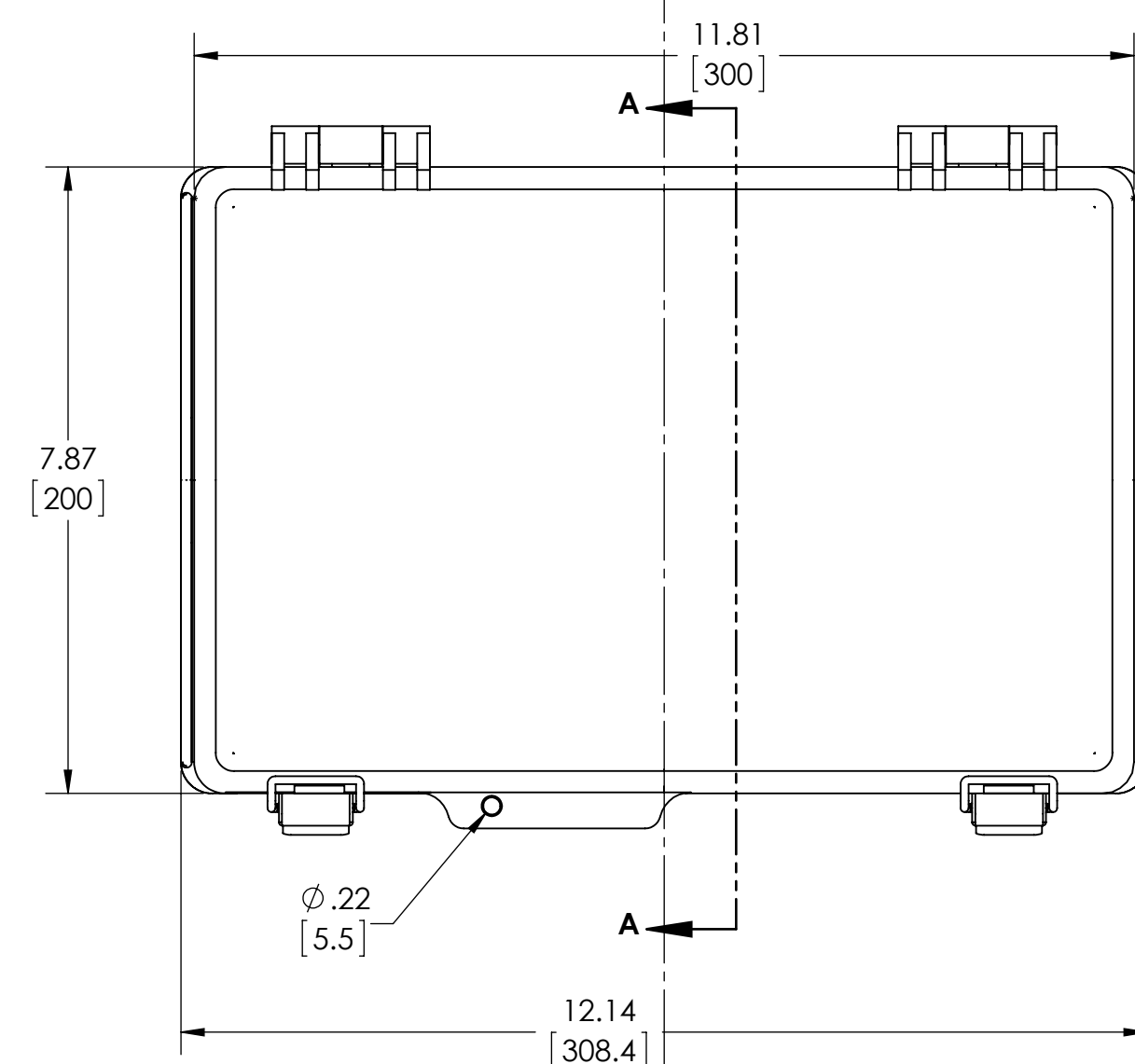
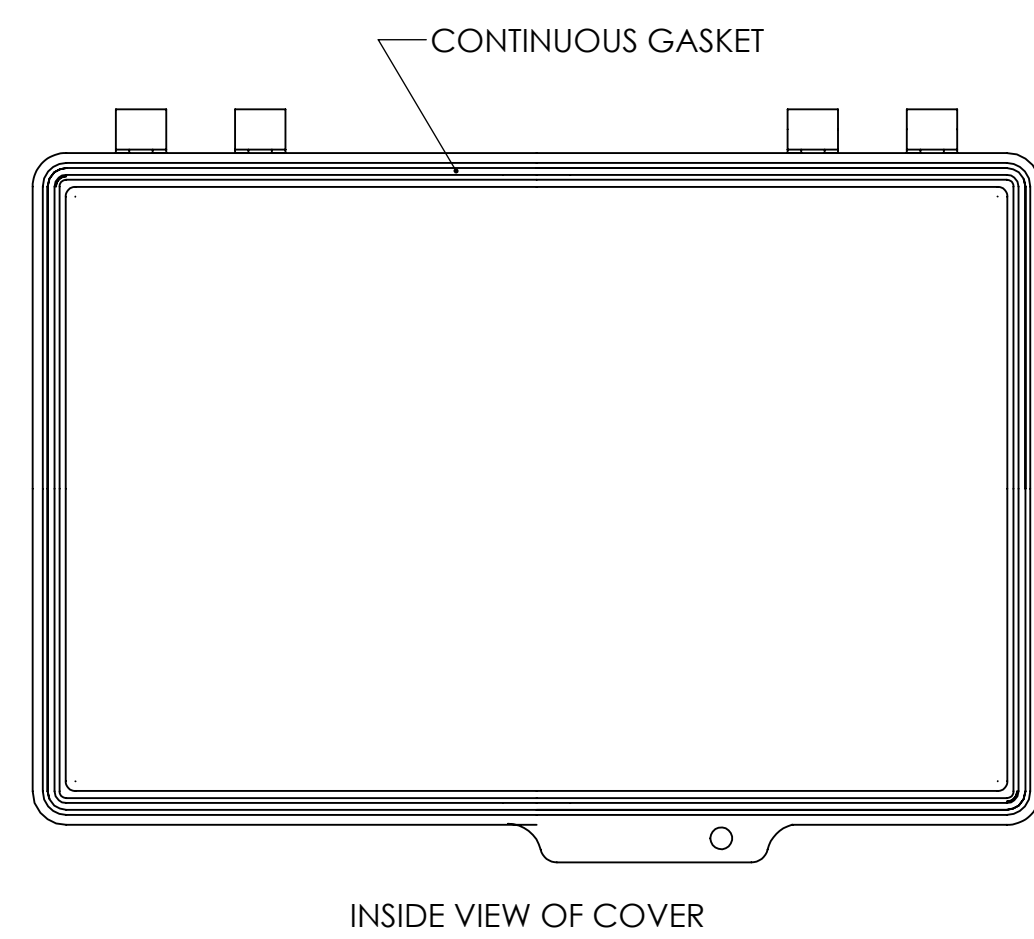
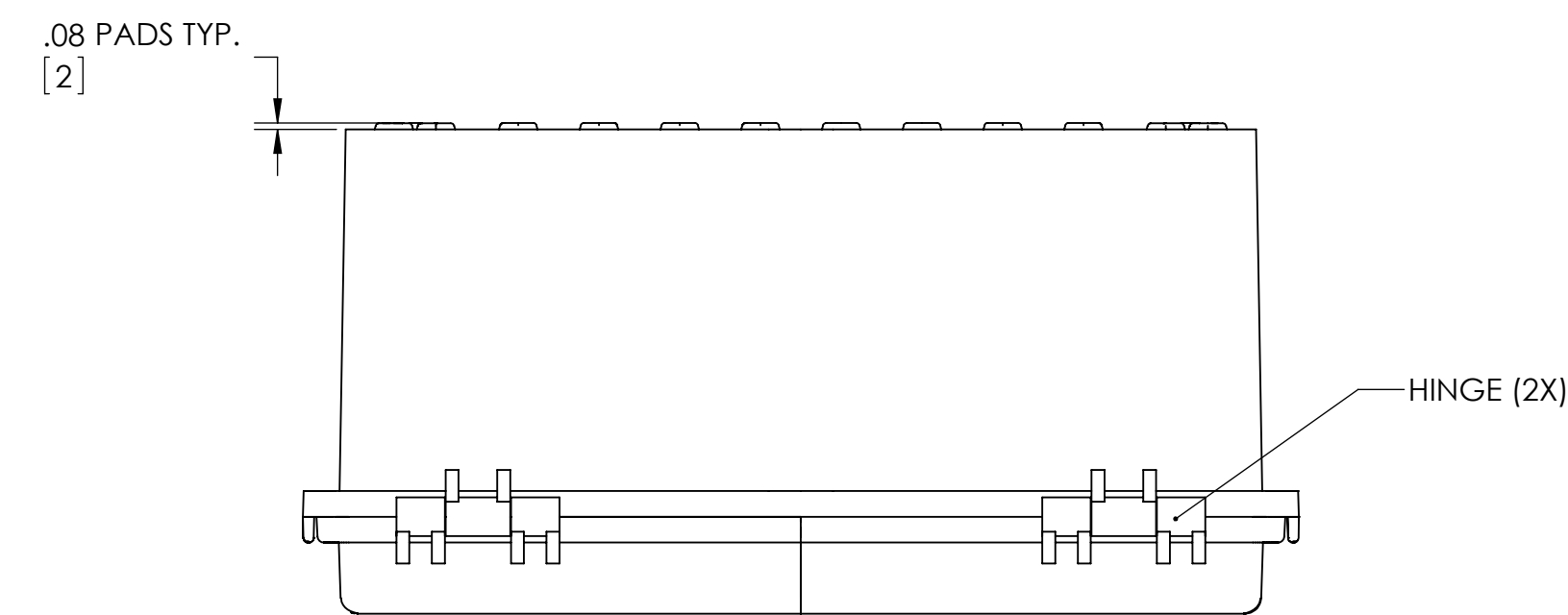
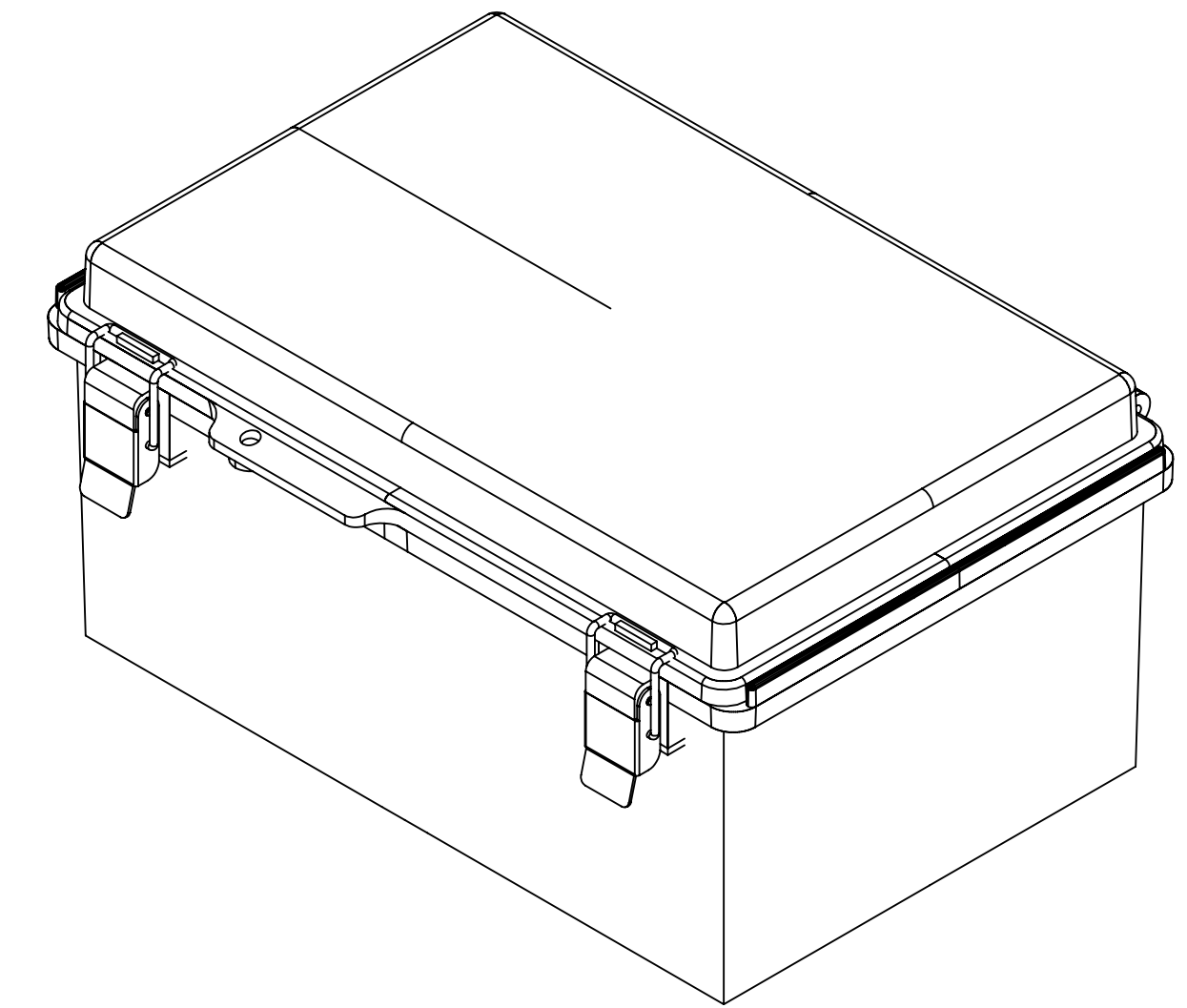
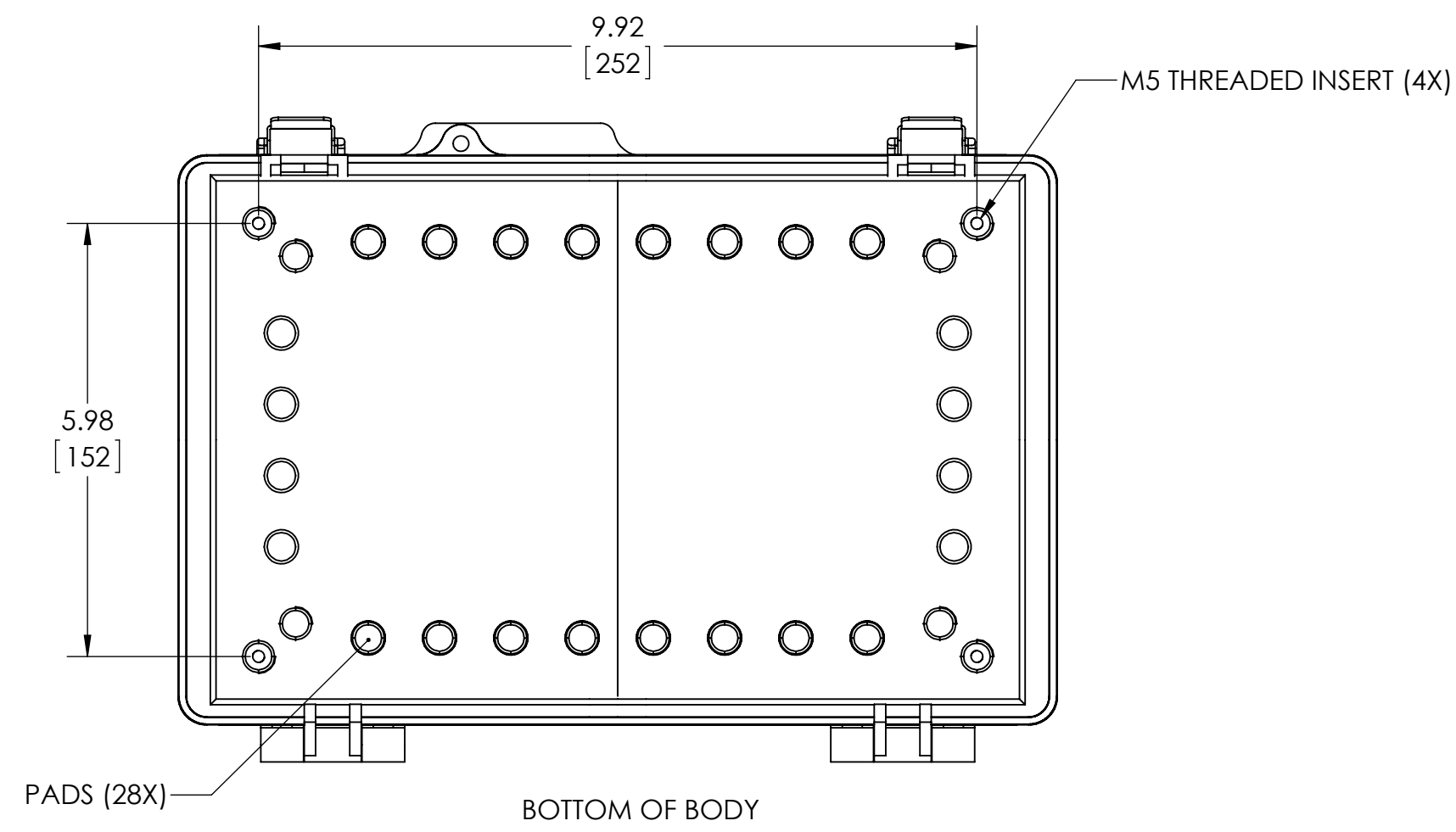
UL508 / NEMA TYPE 4X WITH IP-67 TUV RATING & UL-94V0 RATING
CONTINUOUS GASKET IN COVER
SUPPLIED WITH TWO M4 x 8mm LG. TRUSS HEAD MACHINE SCREWS
DIMENSIONS ARE INCH [MM]
DRAWING FOR REFERENCE

OPTIONAL ACCESSORIES:

INTERNAL STEEL PANEL - #PTX-11050
INTERNAL PLASTIC PANEL - #PTX-11050-P
MOUNTING BRACKET KIT (STAINLESS STEEL) - #NBX-10920
MOUNTING BRACKET KIT (PLASTIC) - #PIX-4117



- NOTES:
- 1- MATERIAL: BODY - POLYCARBONATE 10% FIBERGLASS REINFORCED
COVER - POLYCARBONATE
UL508 /NEMA TYPE 4X WITH IP-67 TUV RATING & UL-94V0 RATING
 - 2- FINISH: BODY - LIGHT GRAY
COVER - LIGHT GRAY OR CLEAR (-C)
 - 3- ALL HOLE DIAMETERS HAVE +/- .005(0.13) TOLERANCE
ALL OTHER DIMENSIONS HAVE +/- 0.03(0.76) TOLERANCE UNLESS OTHERWISE SPECIFIED
 - 4- CONTINUOUS GASKET IN COVER
 - 5- SUPPLIED WITH FOUR M5 x 10mm LG. TRUSS HEAD MACHINE SCREWS
 - 6- DIMENSIONS ARE INCH [MM]
 - 7- DRAWING FOR REFERENCE
 - 8- OPTIONAL ACCESSORIES:
INTERNAL STEEL PANEL - #PTX-11057
INTERNAL PLASTIC PANEL - #PTX-11057-P
MOUNTING BRACKET KIT (STAINLESS STEEL) - #NBX-10922



- NOTES:
- MATERIAL: BODY - POLYCARBONATE 10% FIBERGLASS REINFORCED
COVER - POLYCARBONATE
UL508 /NEMA TYPE 4X WITH IP-67 TUV RATING & UL-94V0 RATING
 - FINISH: BODY - LIGHT GRAY
COVER - LIGHT GRAY OR CLEAR (-C)
 - ALL HOLE DIAMETERS HAVE +/- .005(0.13) TOLERANCE
ALL OTHER DIMENSIONS HAVE +/- 0.03(0.76) TOLERANCE UNLESS OTHERWISE SPECIFIED
 - CONTINUOUS GASKET IN COVER
 - SUPPLIED WITH FOUR M5 x 10mm LG. TRUSS HEAD MACHINE SCREWS
 - DIMENSIONS ARE INCH [MM]
 - DRAWING FOR REFERENCE
 - OPTIONAL ACCESSORIES:
INTERNAL STEEL PANEL - #PTX-11059
INTERNAL PLASTIC PANEL - #PTX-11059-P
MOUNTING BRACKET KIT (STAINLESS STEEL) - #NBX-10922



PART NAME

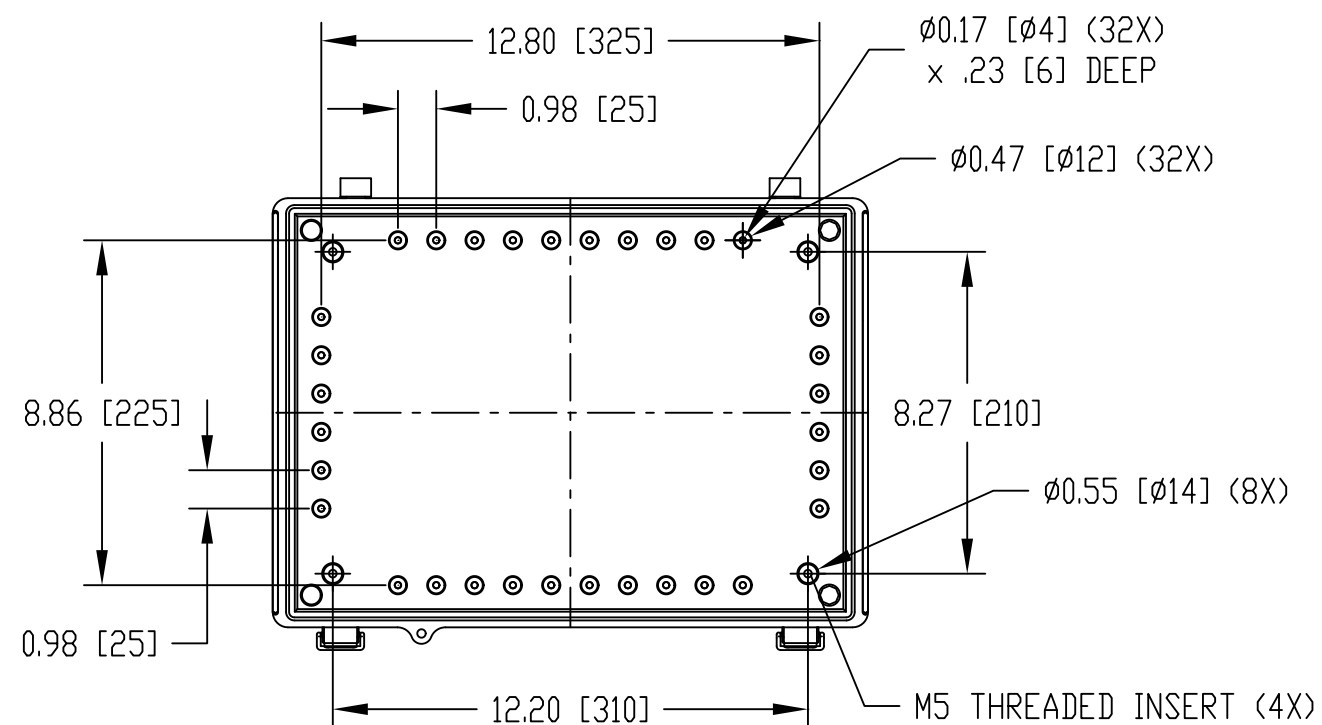
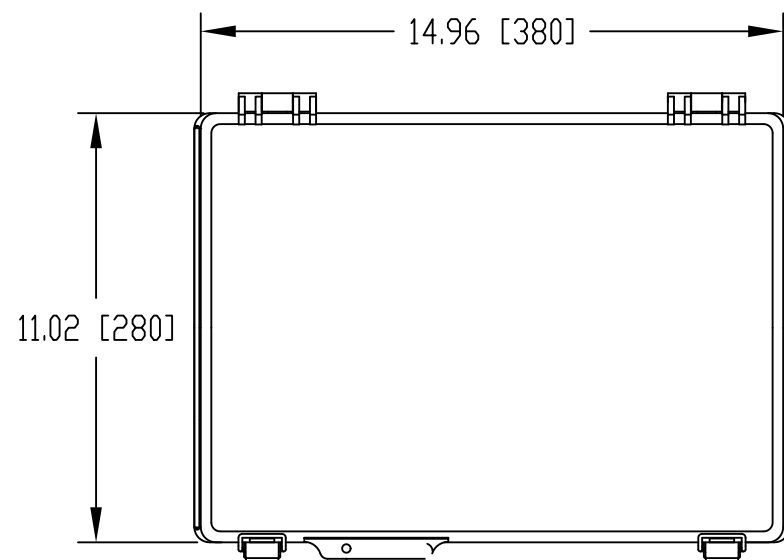
PTQ SERIES ENCLOSURE

PART No.

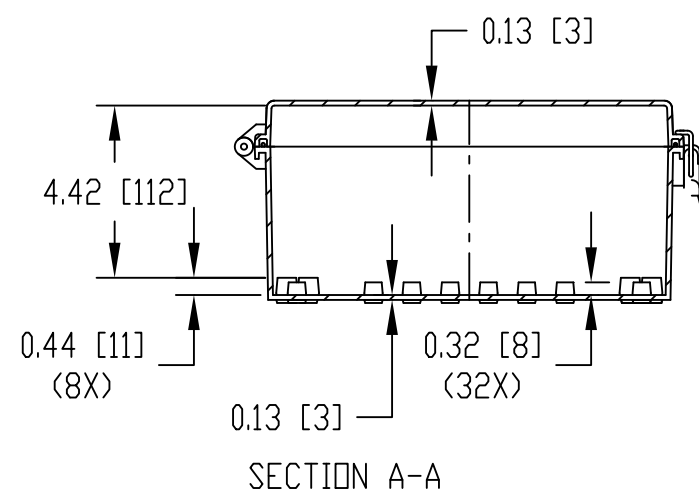
PTQ-11064 PTQ-11064-C

REV. DATE

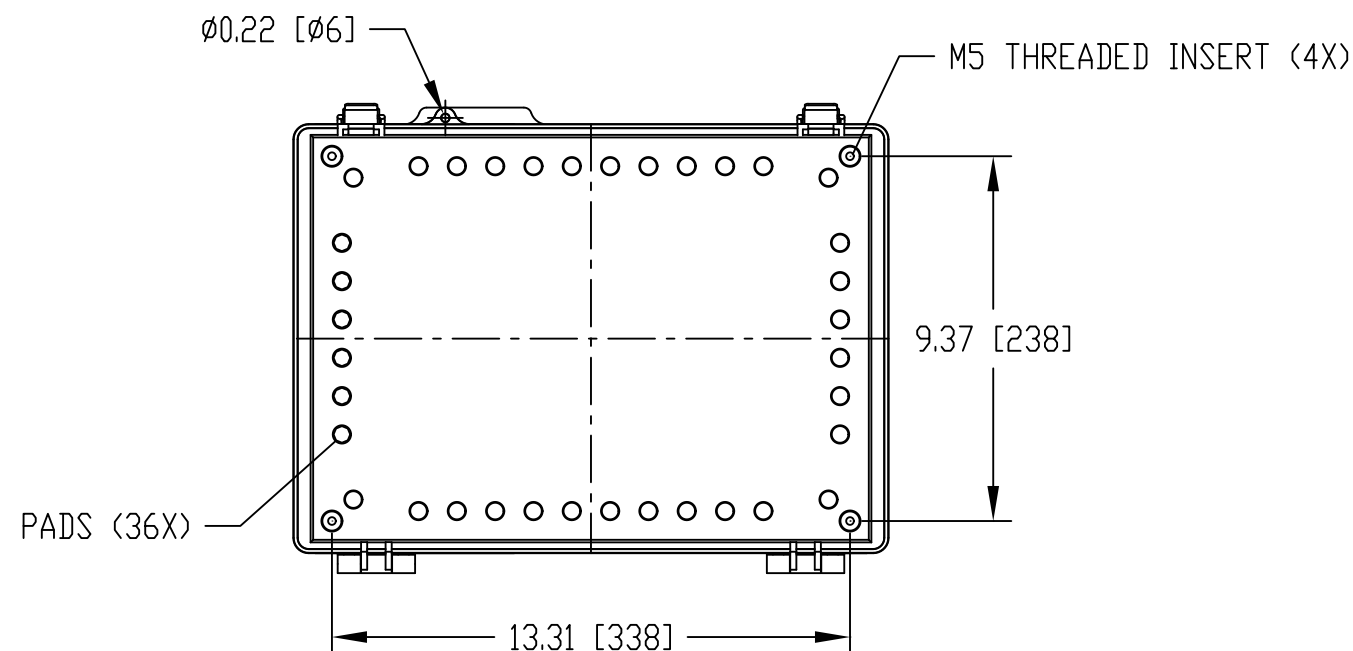
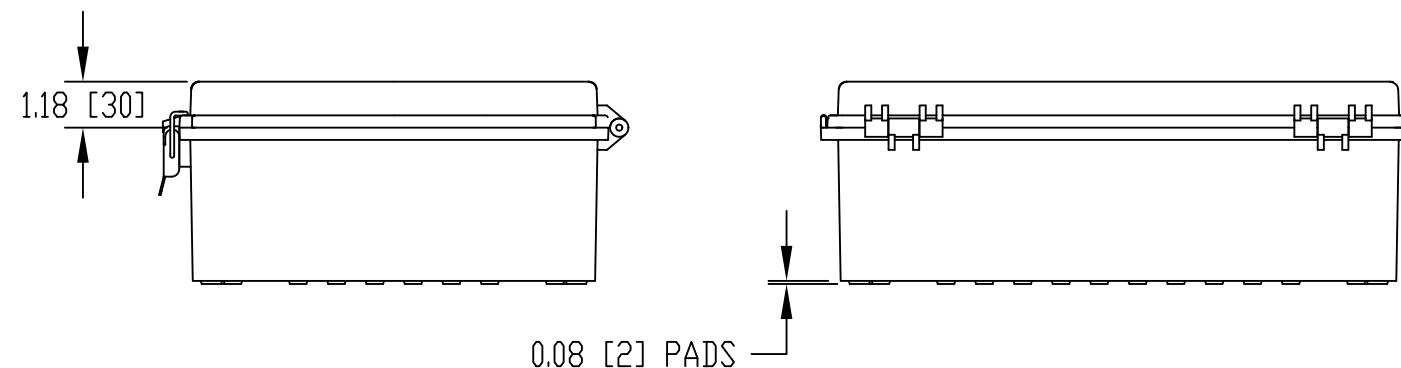
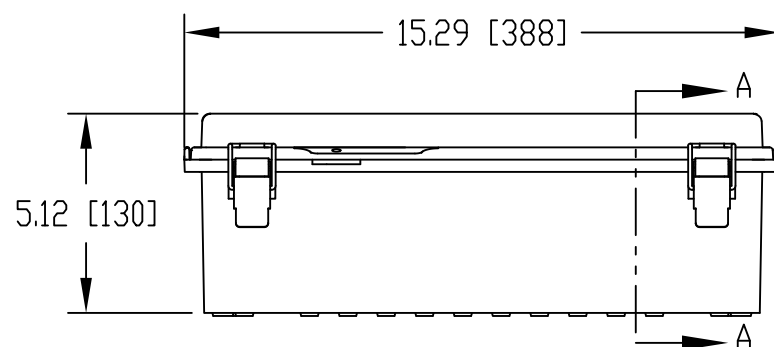
12-2-15



INSIDE VIEW OF BODY WITH COVER REMOVED



SECTION A-A



MATERIAL:

BODY - POLYCARBONATE RESIN 10% GLASS FIBER FILLED

COVER - POLYCARBONATE

COLOR:

BODY - LIGHT GRAY

COVER - LIGHT GRAY OR CLEAR (SUFFIX -C)

UL508 / NEMA TYPE 4X WITH IP-67 TUV RATING & UL-94V0 RATING
CONTINUOUS GASKET IN COVER

SUPPLIED WITH FOUR M5 x 10mm LG. TRUSS HEAD MACHINE SCREWS

DIMENSIONS ARE INCH[MM]

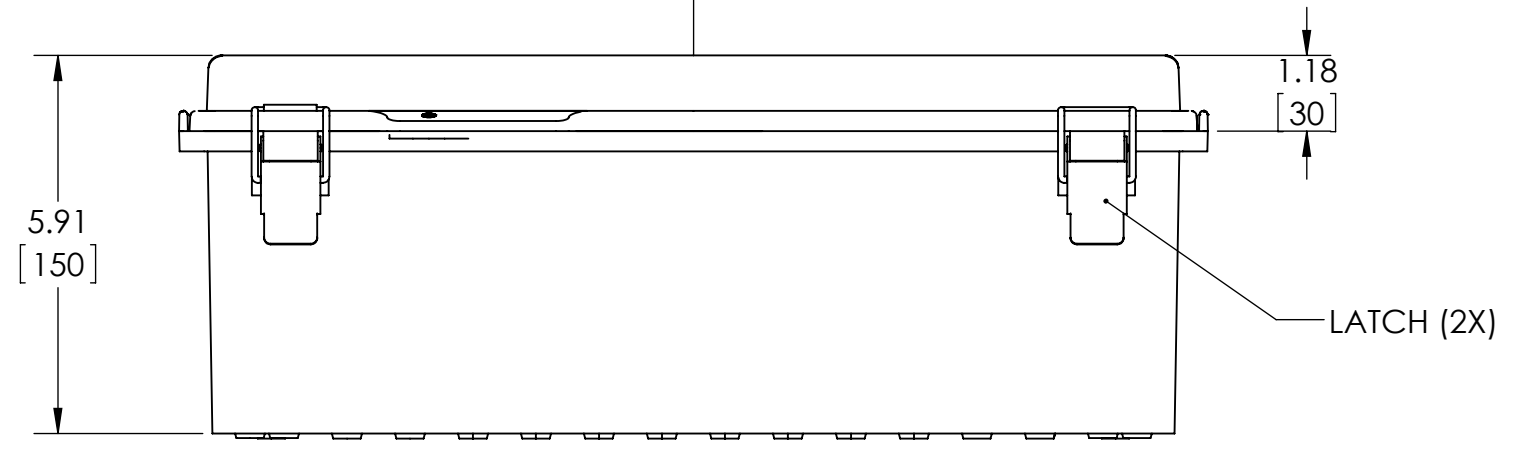
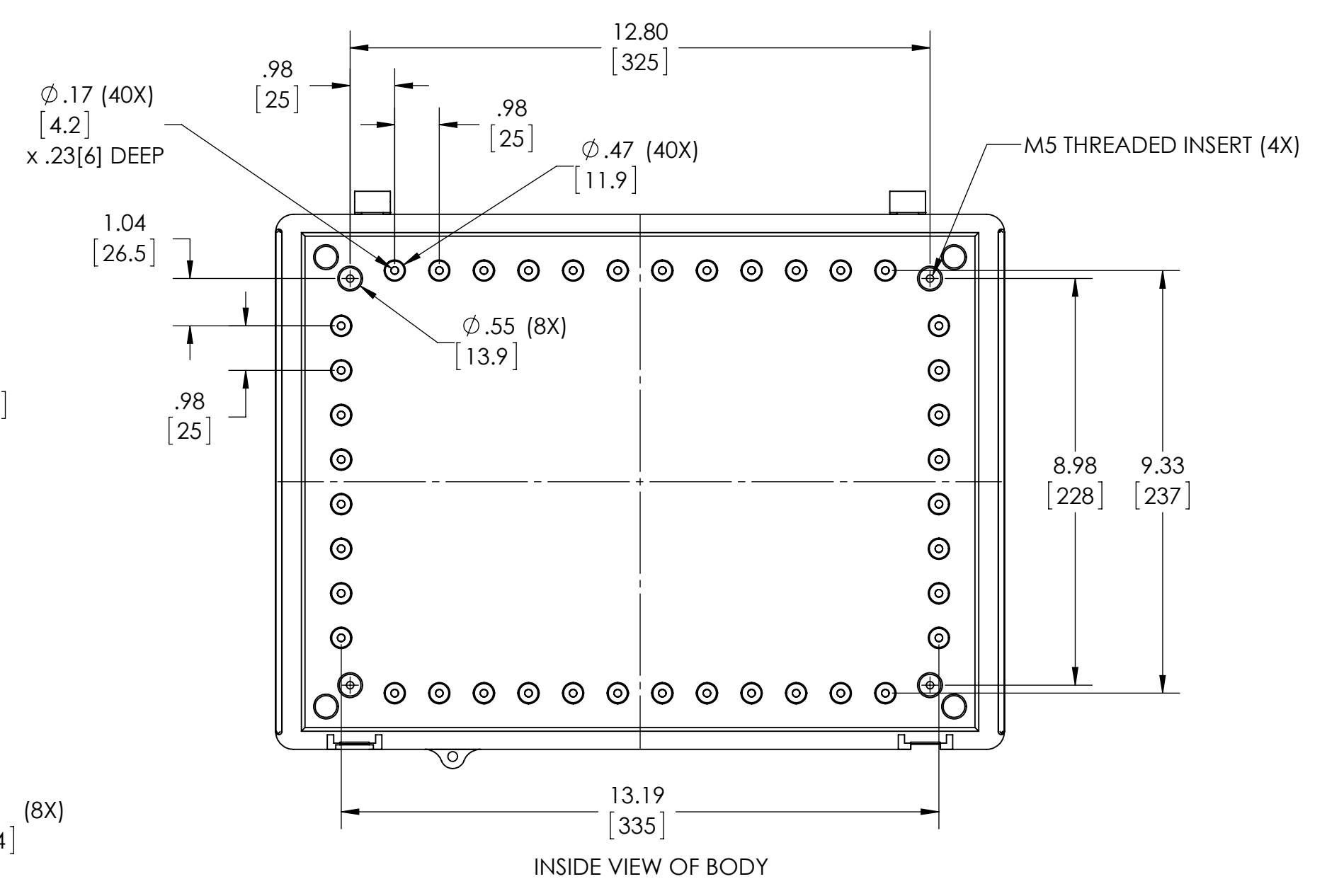
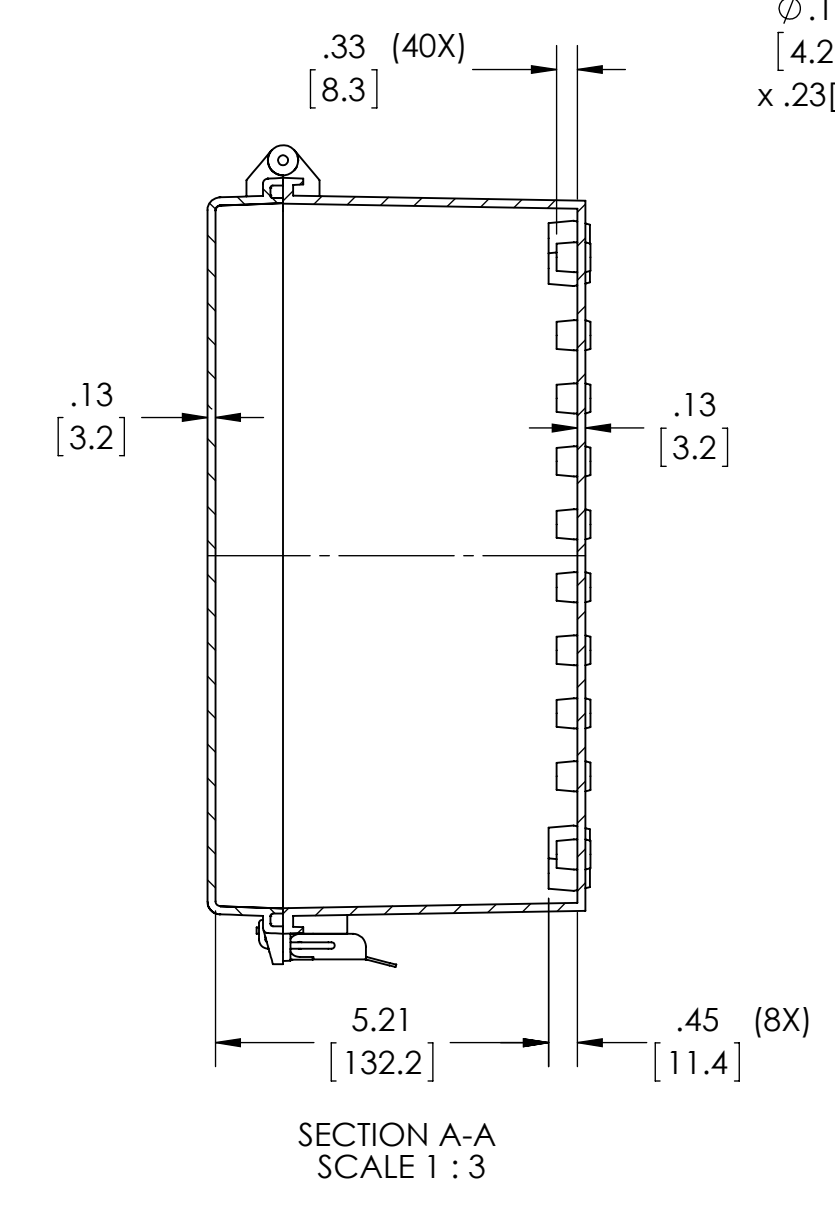
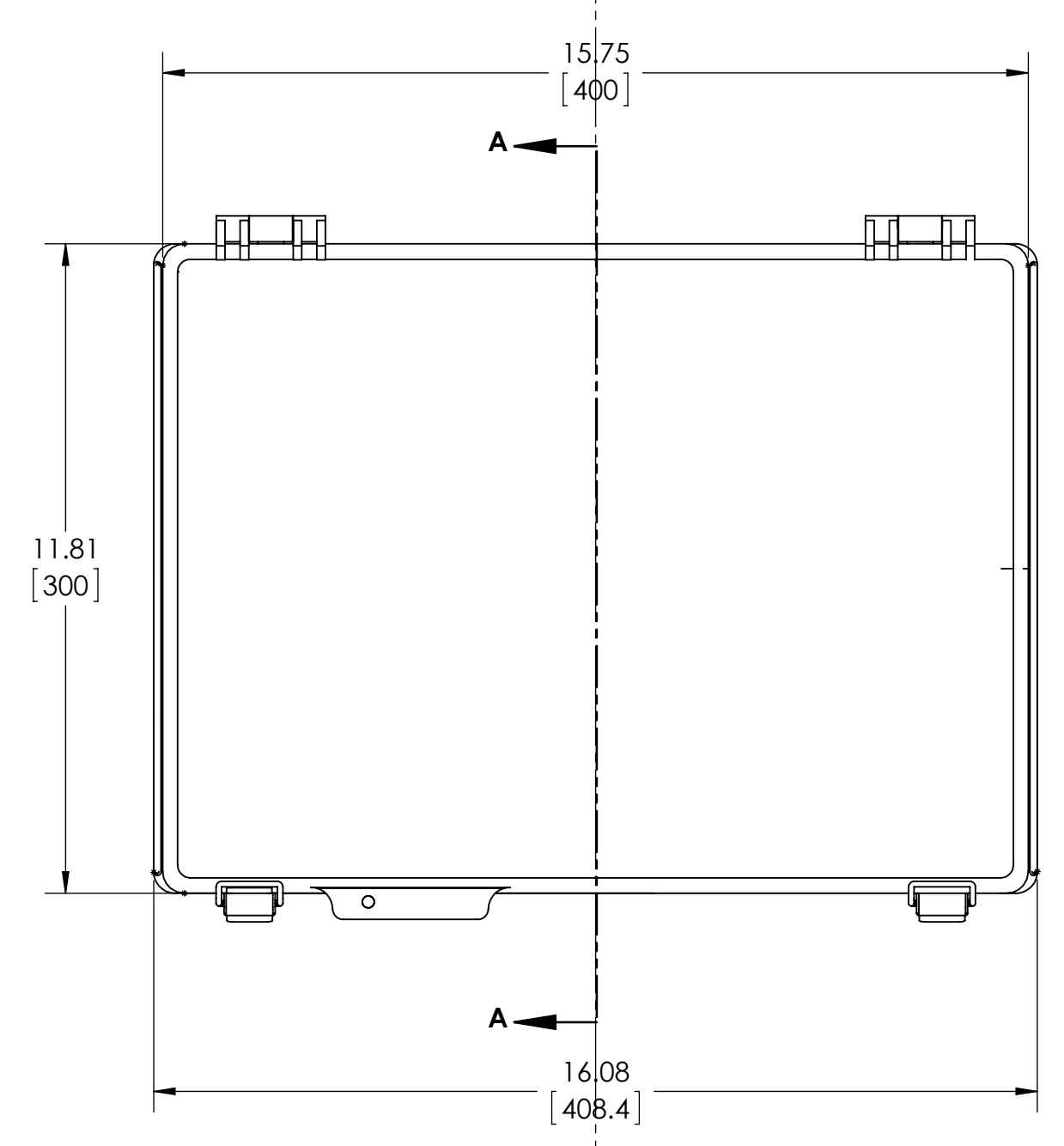
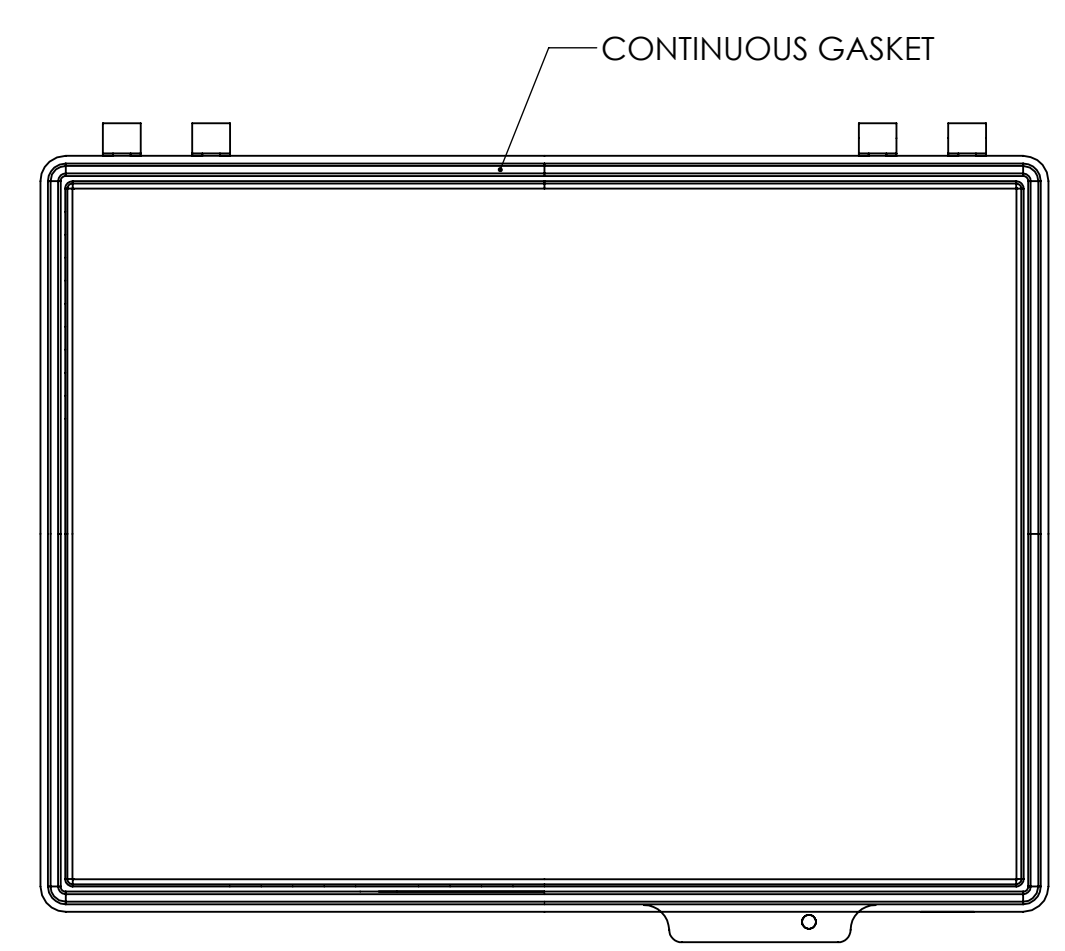
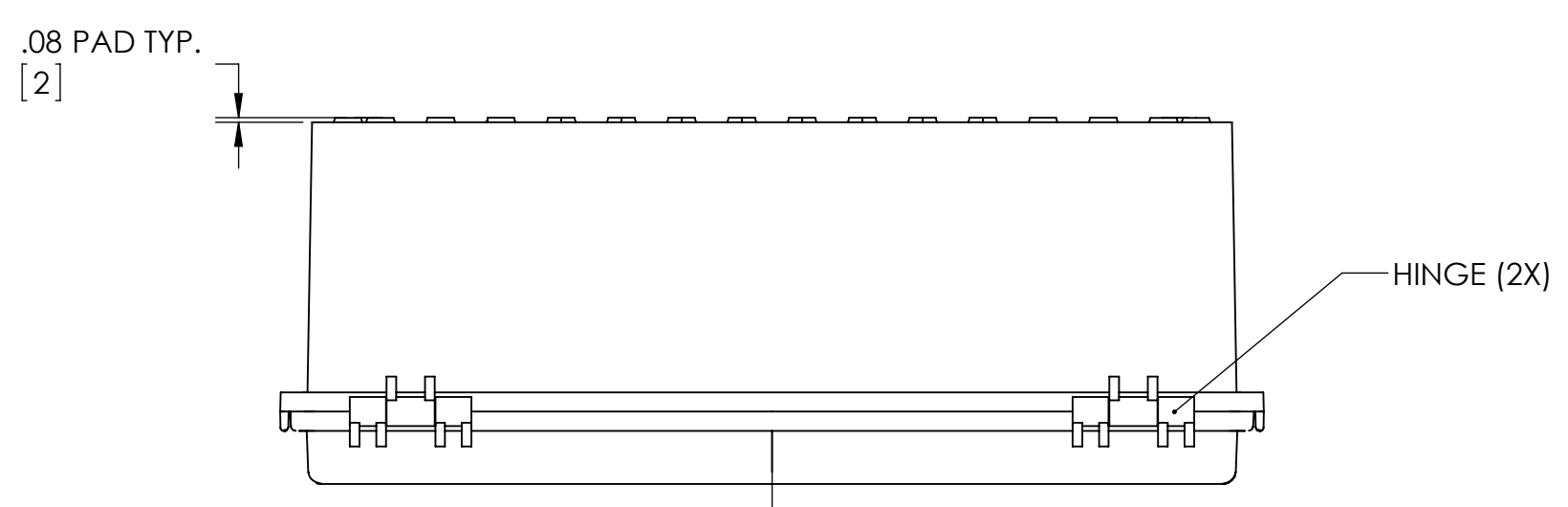
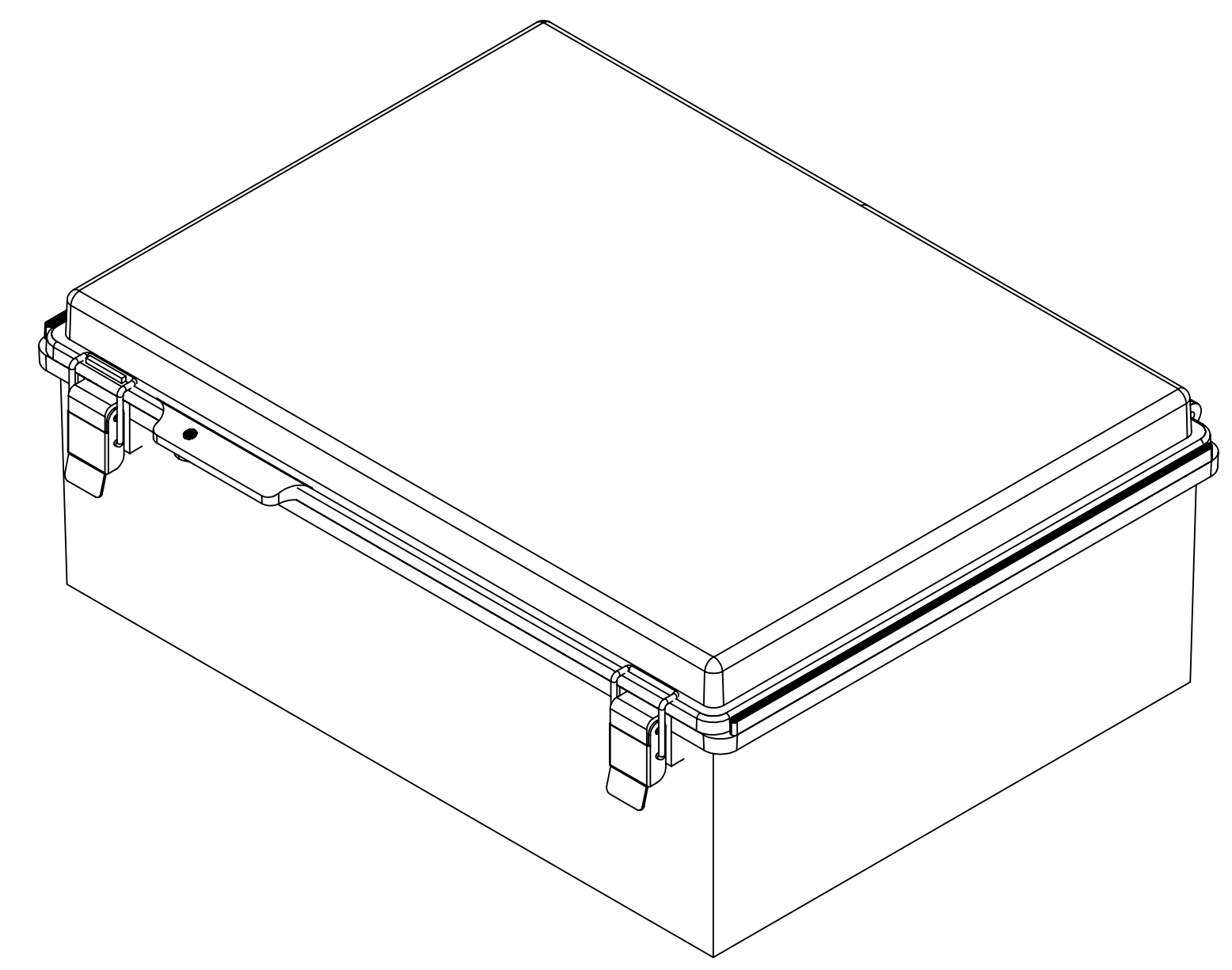
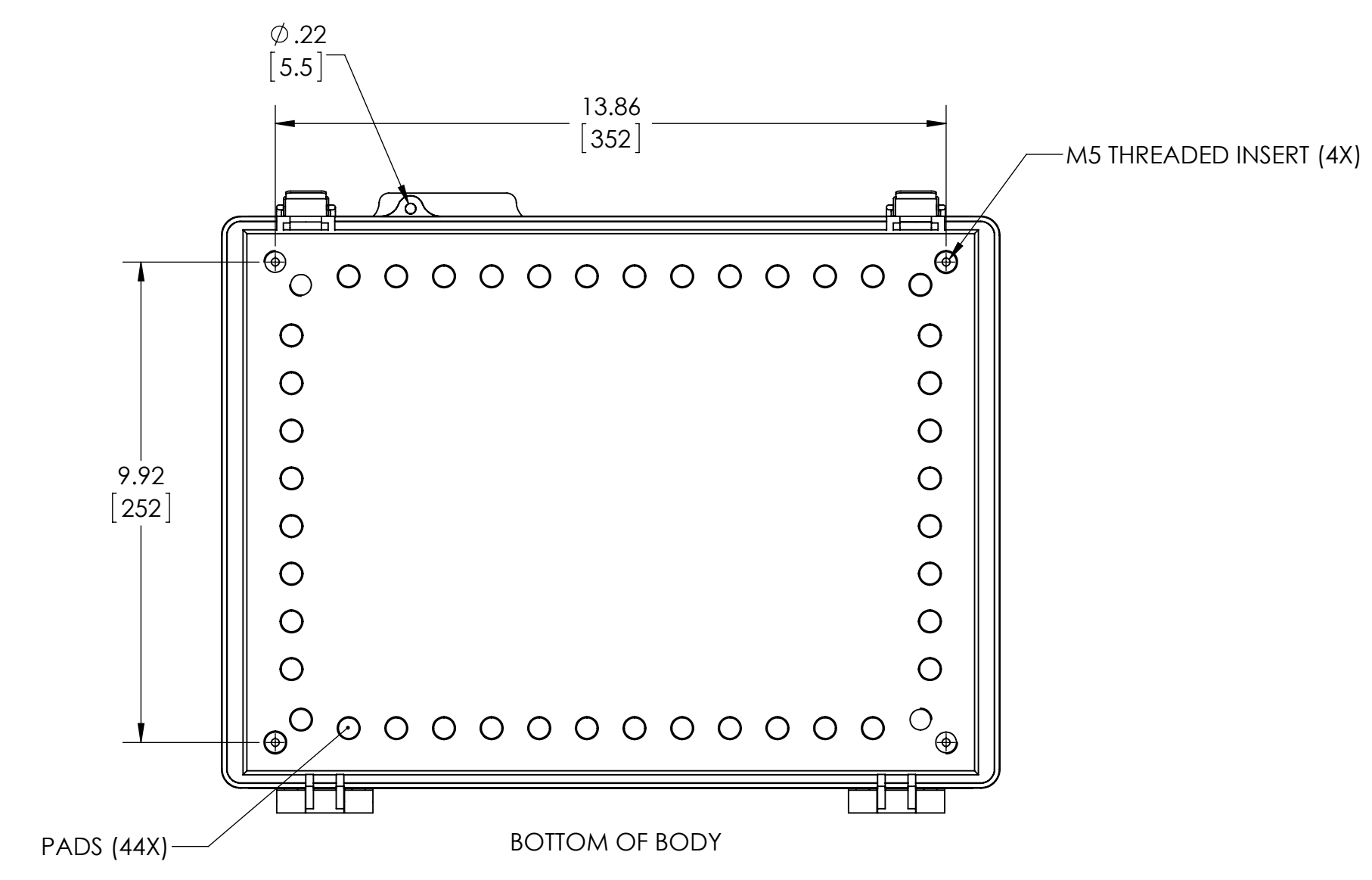
DRAWING FOR REFERENCE

OPTIONAL ACCESSORIES:

INTERNAL STEEL PANEL - #PTX-11064

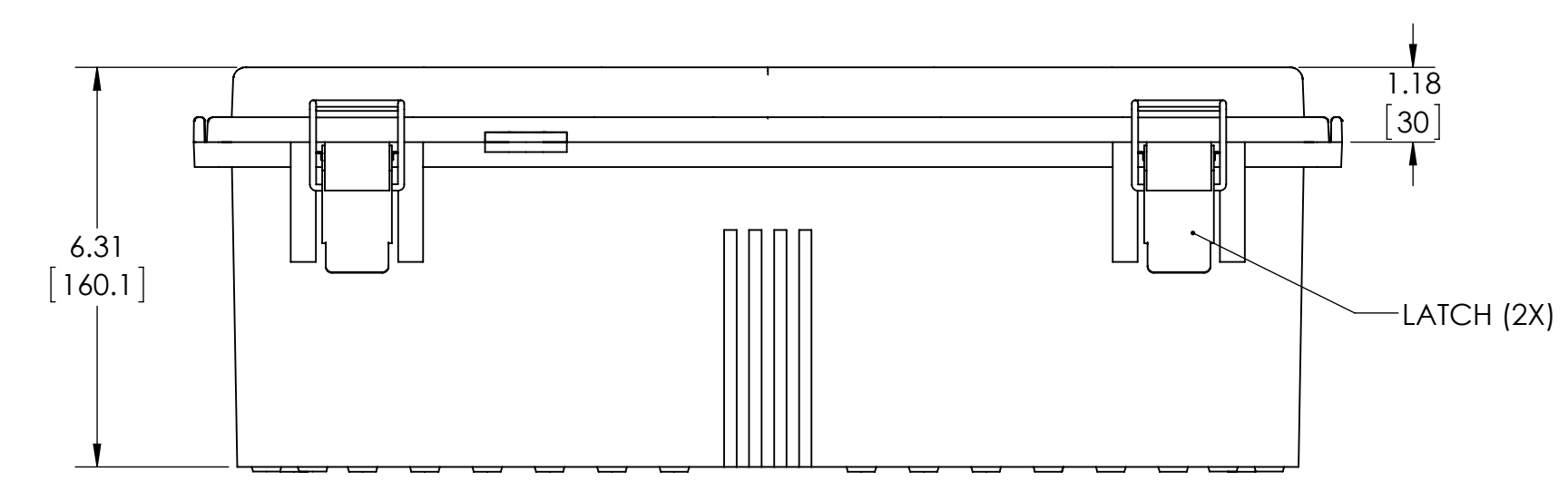
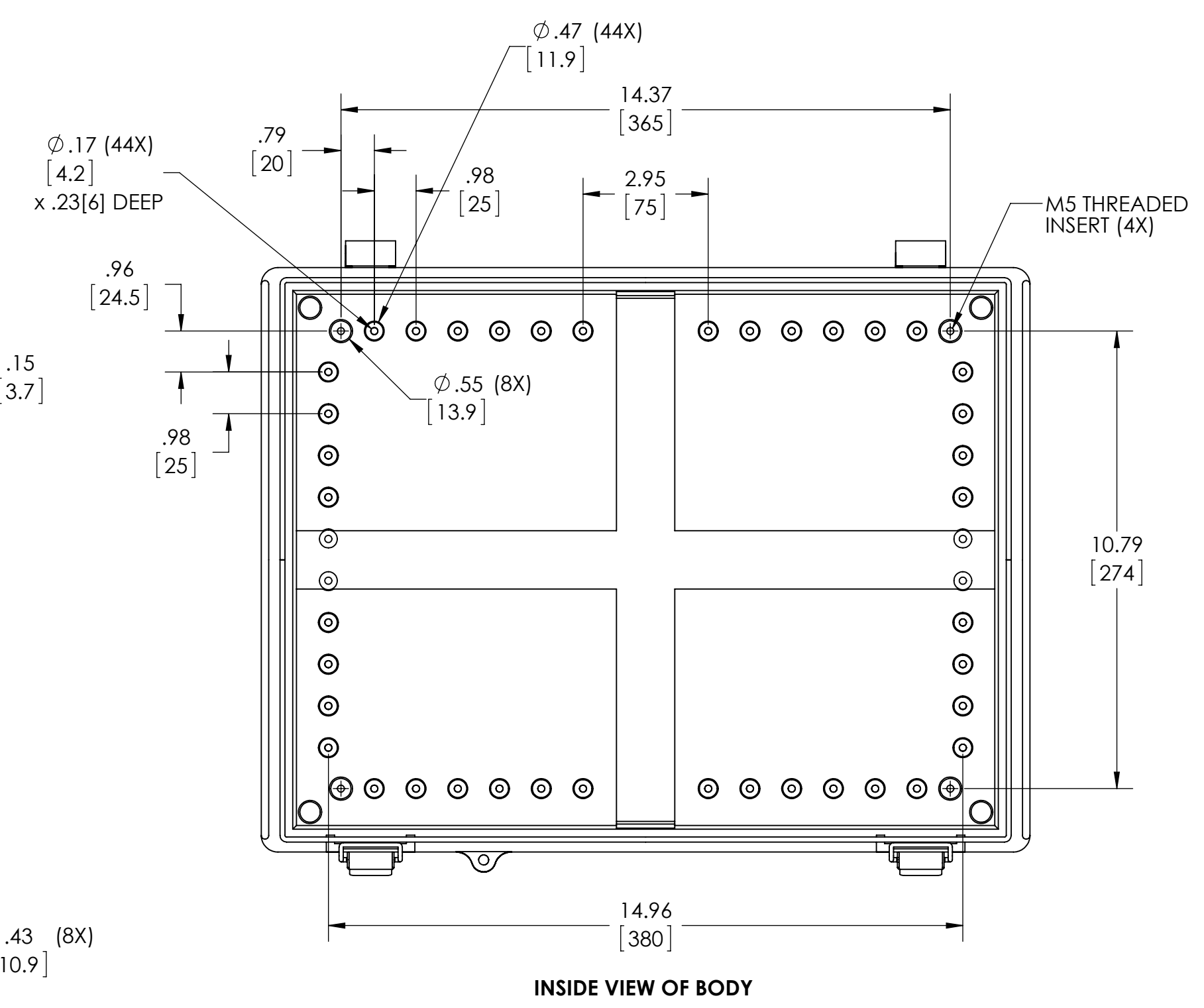
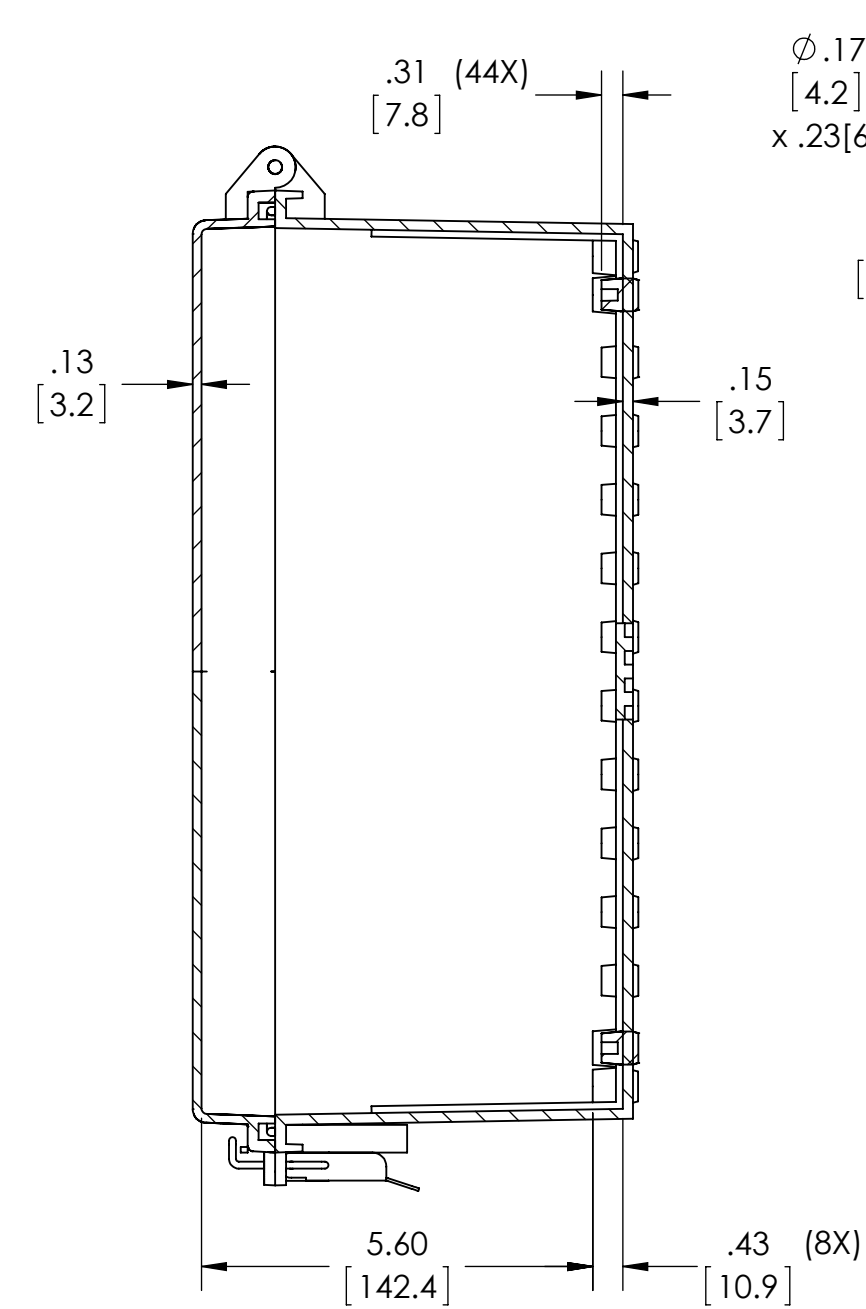
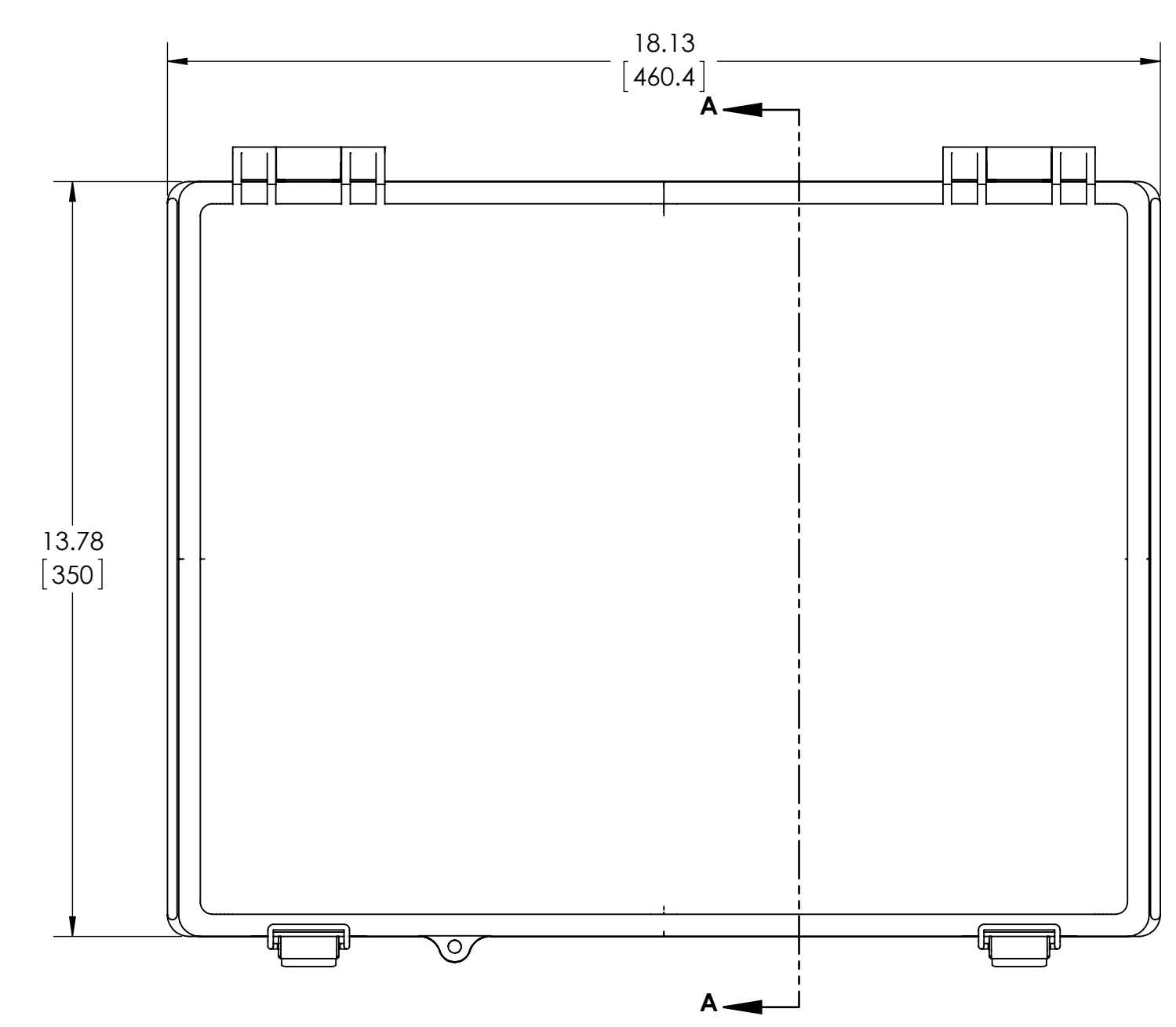
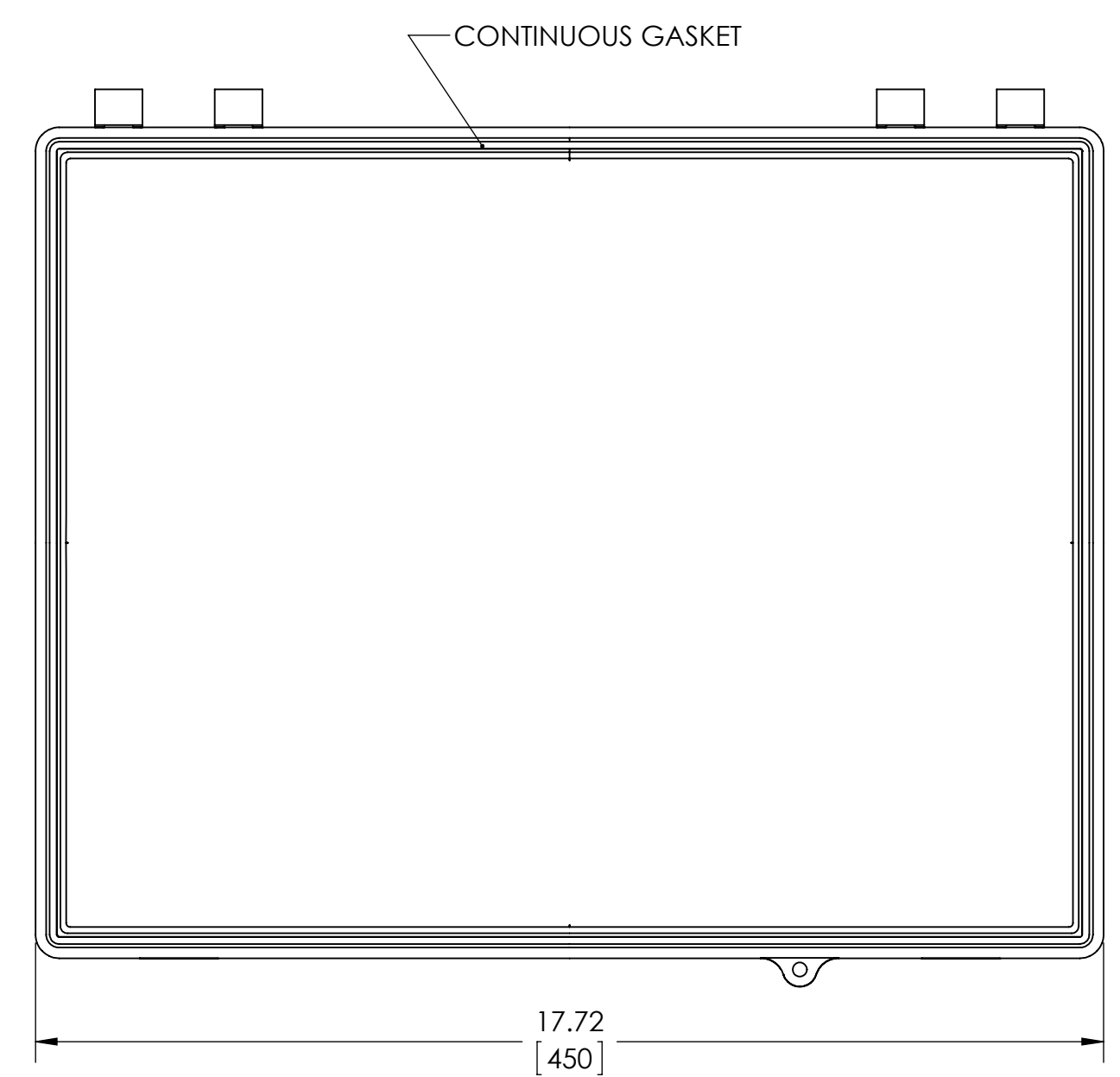
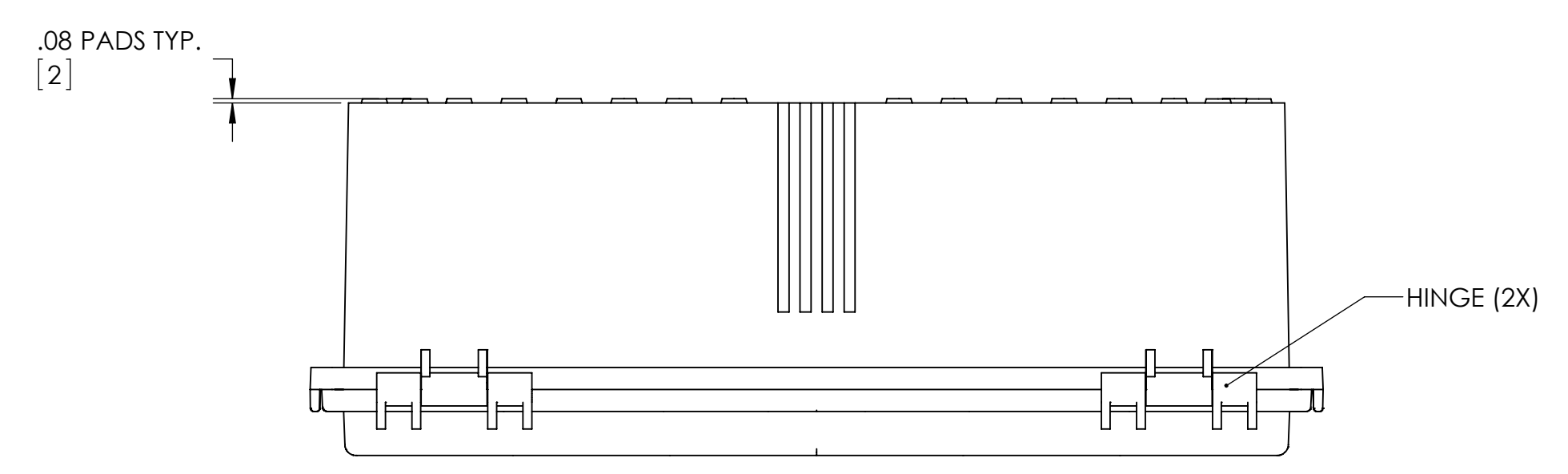
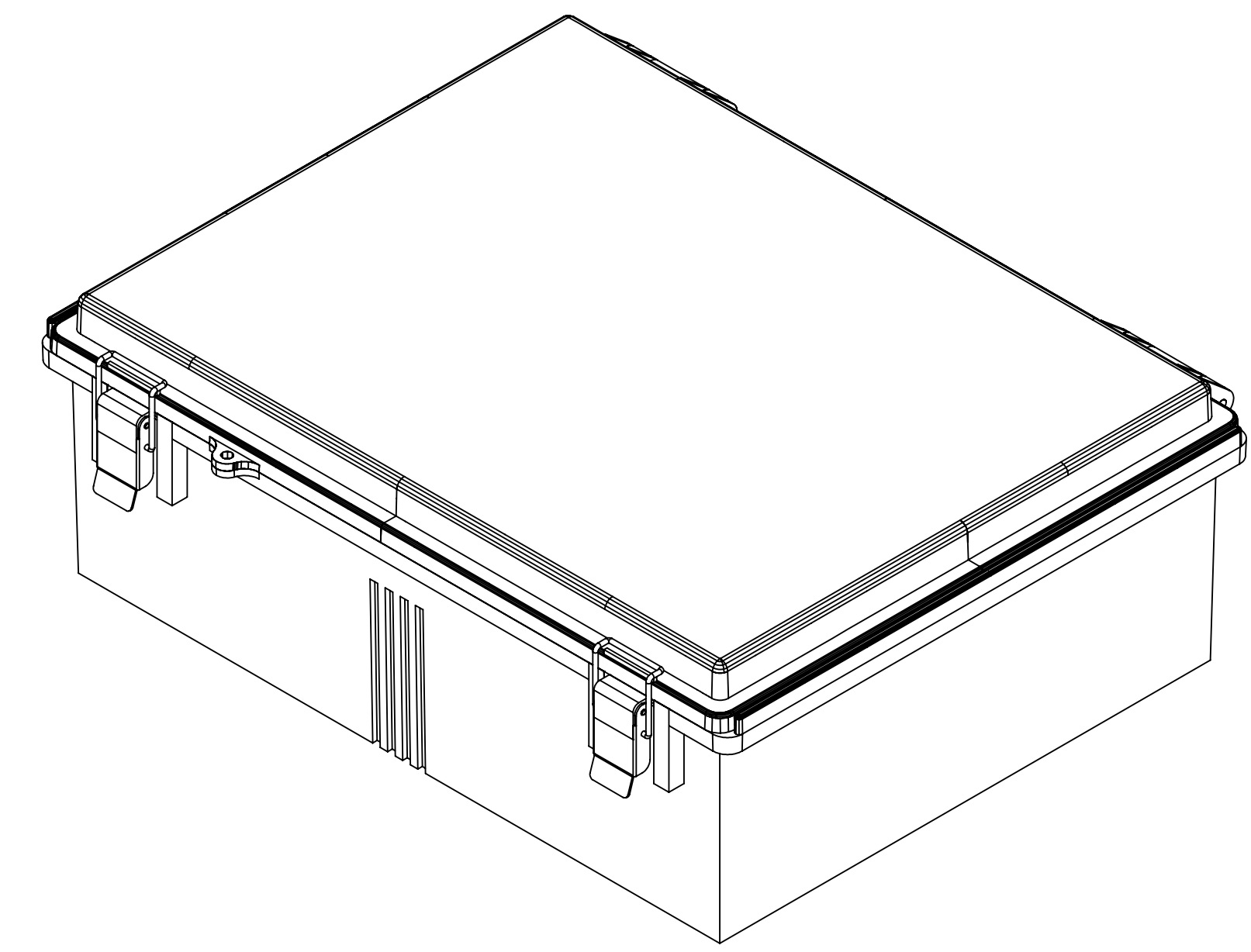
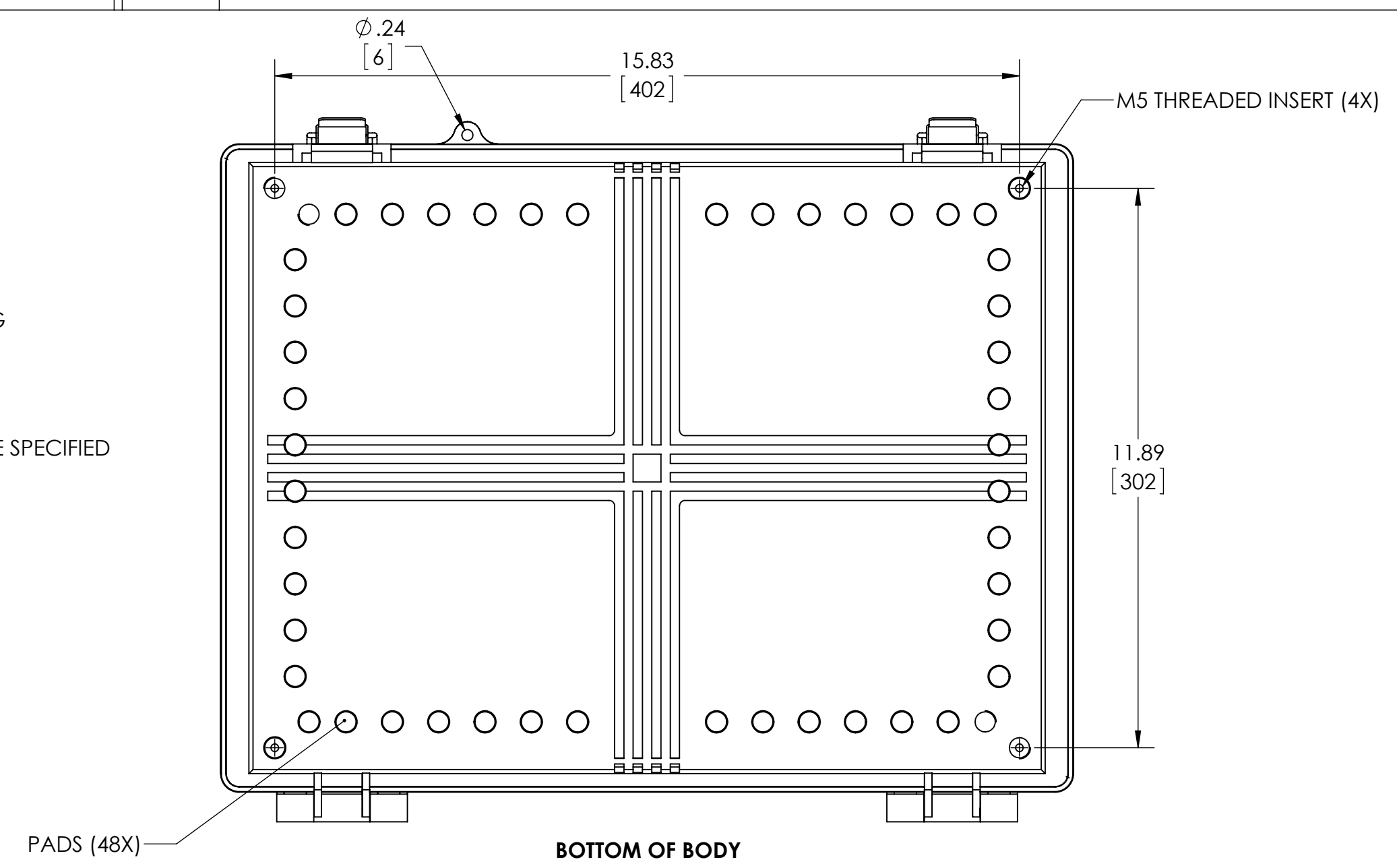
INTERNAL PLASTIC PANEL - #PTX-11064-P

MOUNTING BRACKET KIT (STAINLESS STEEL) - #NBX-10922

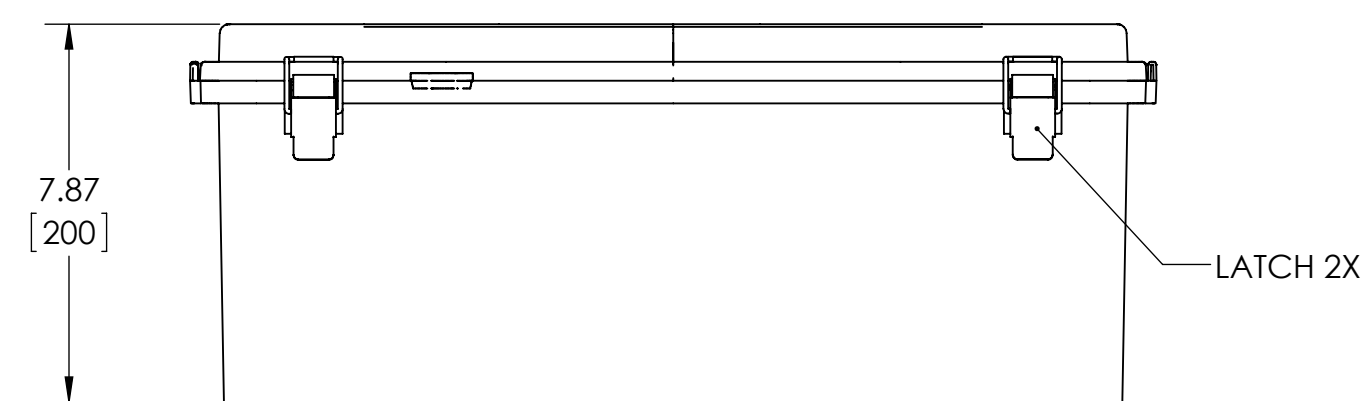
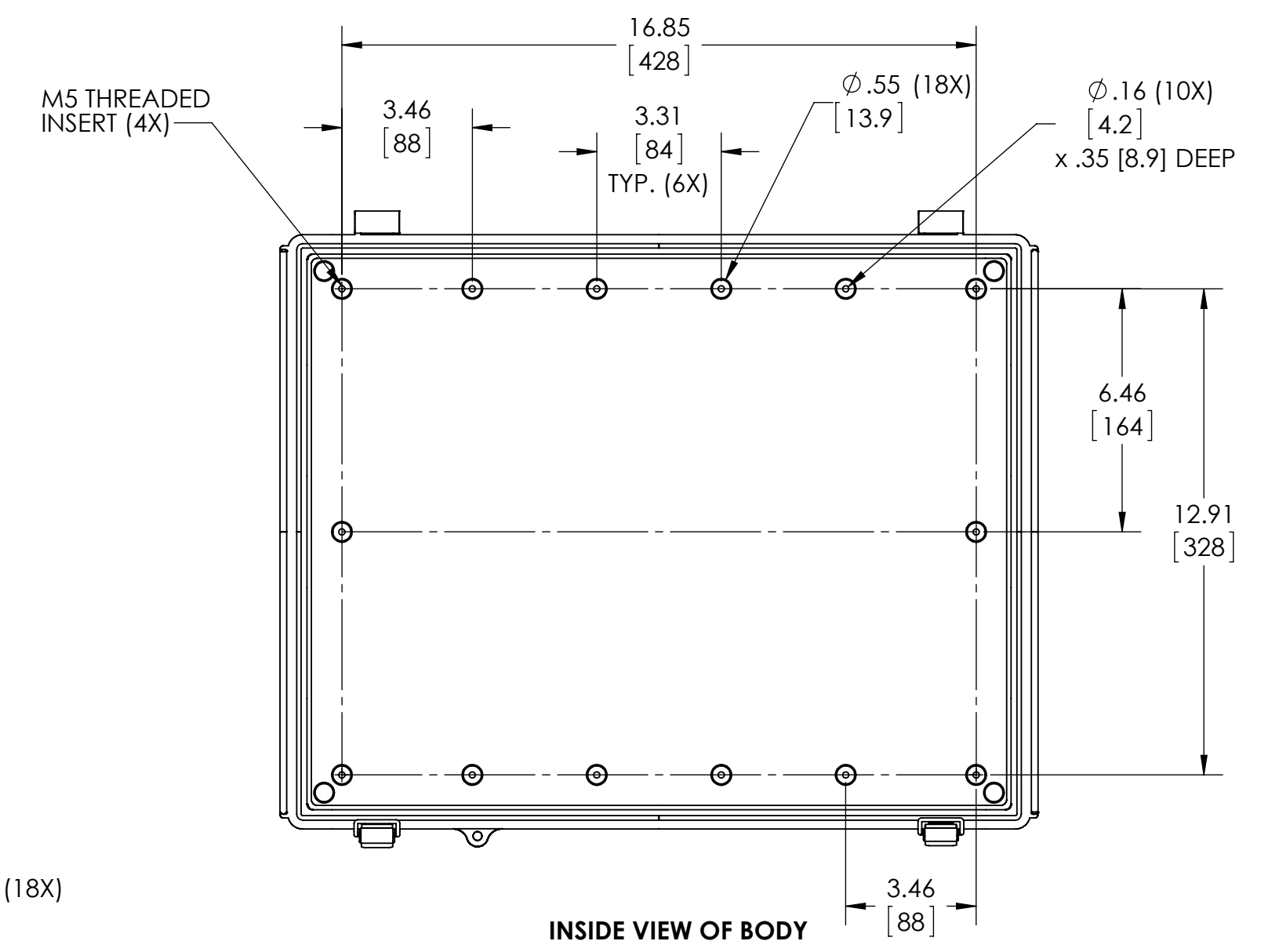
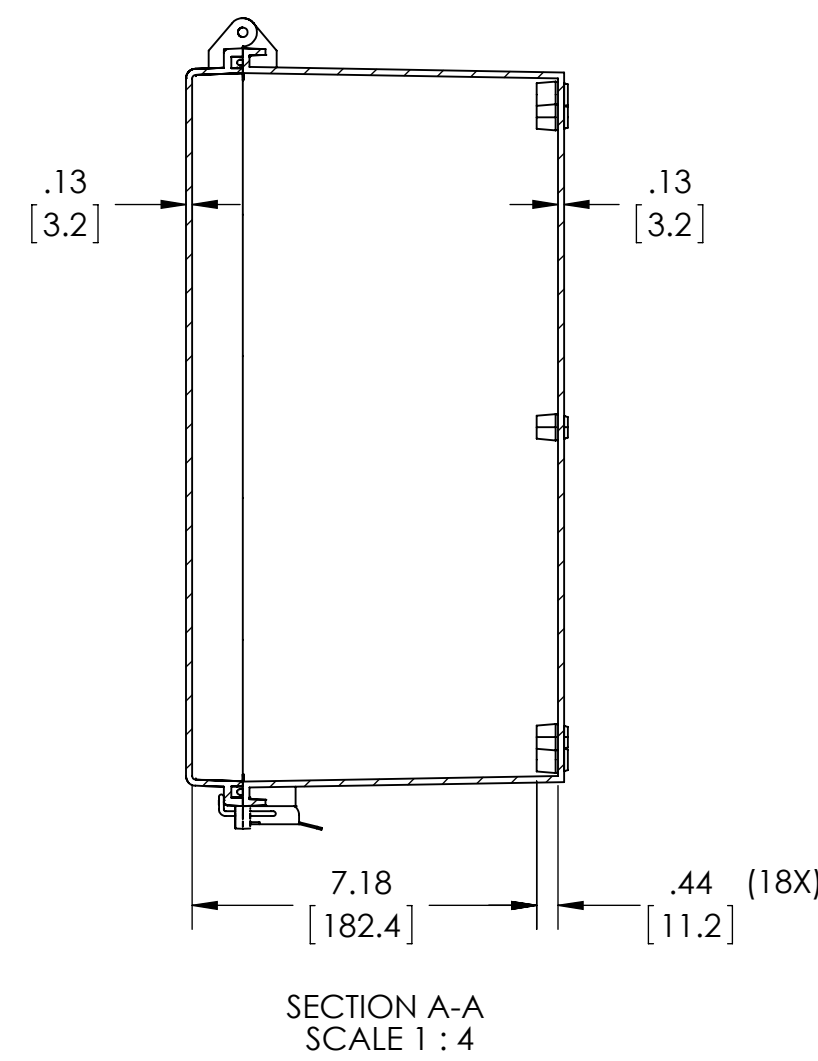
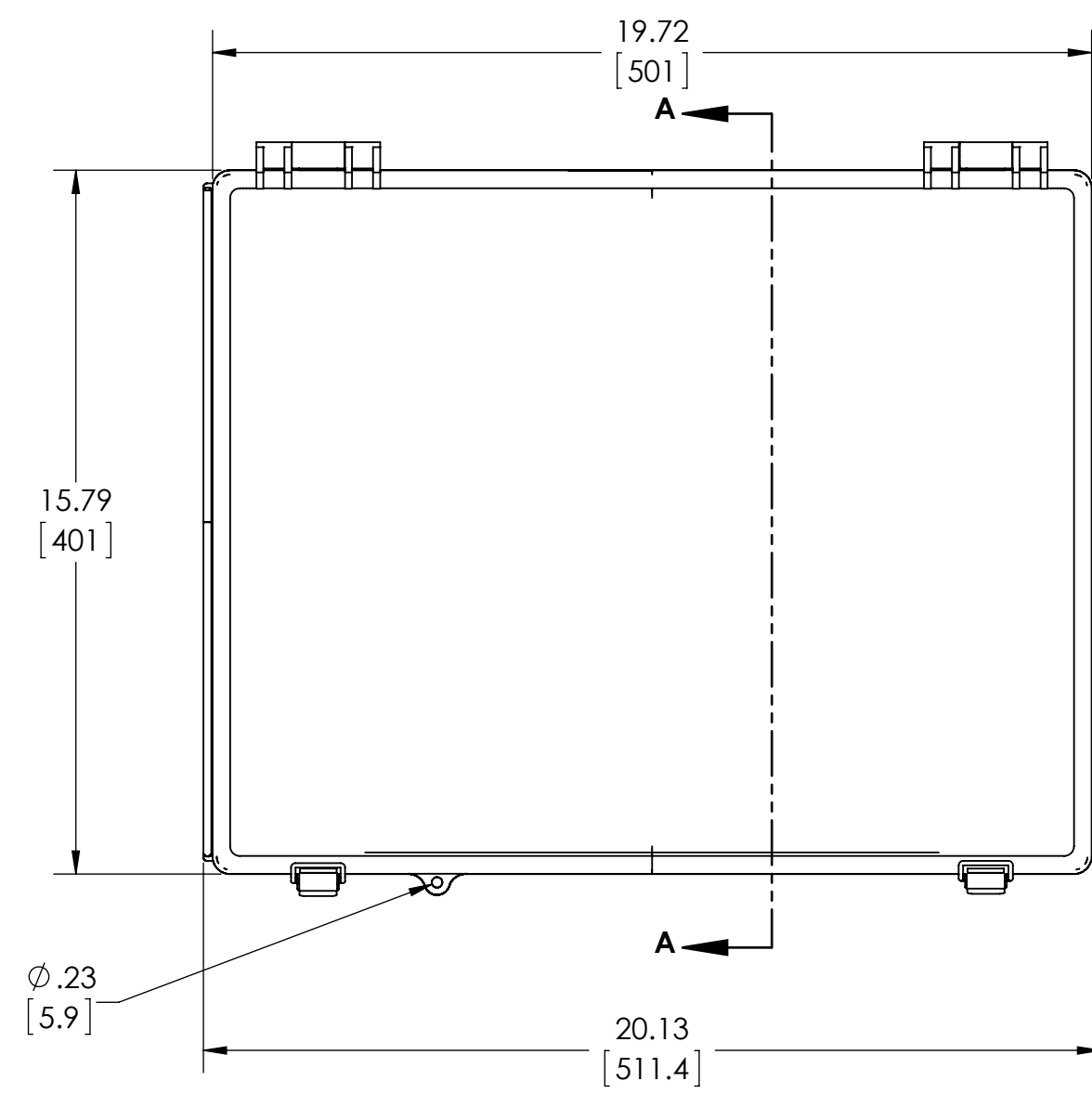
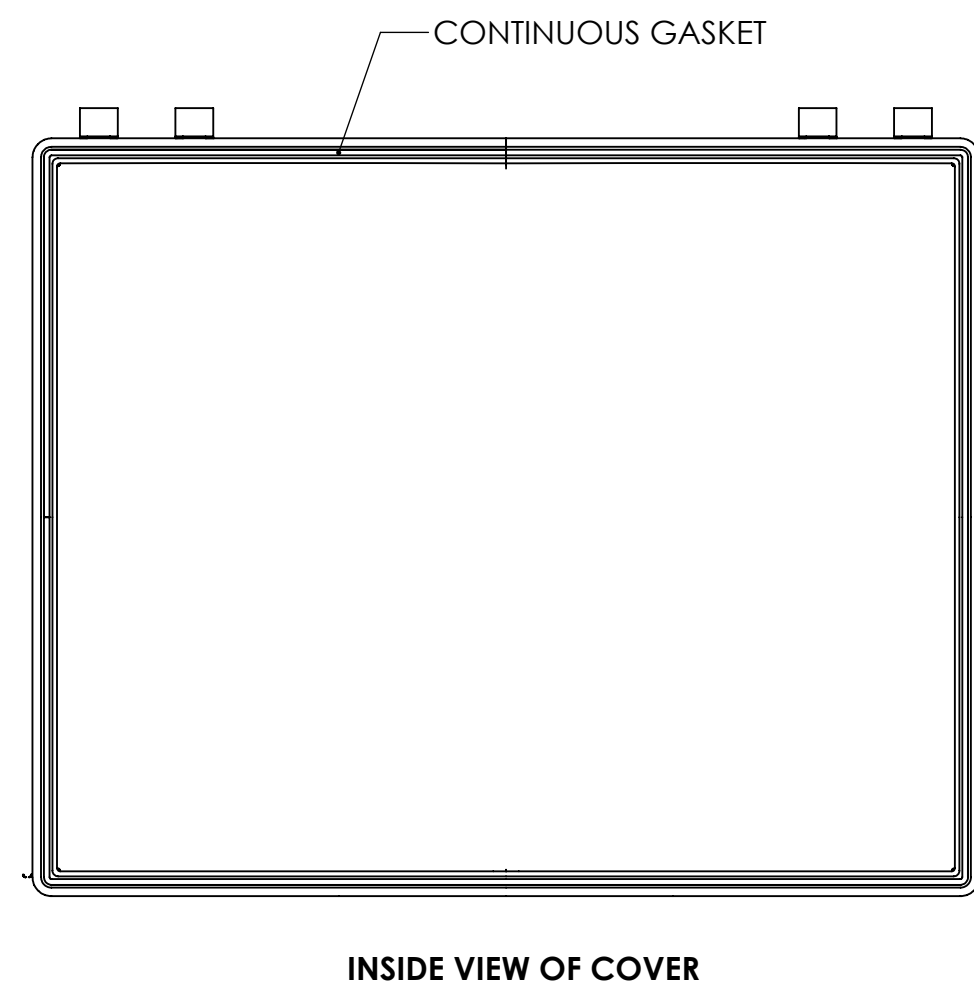
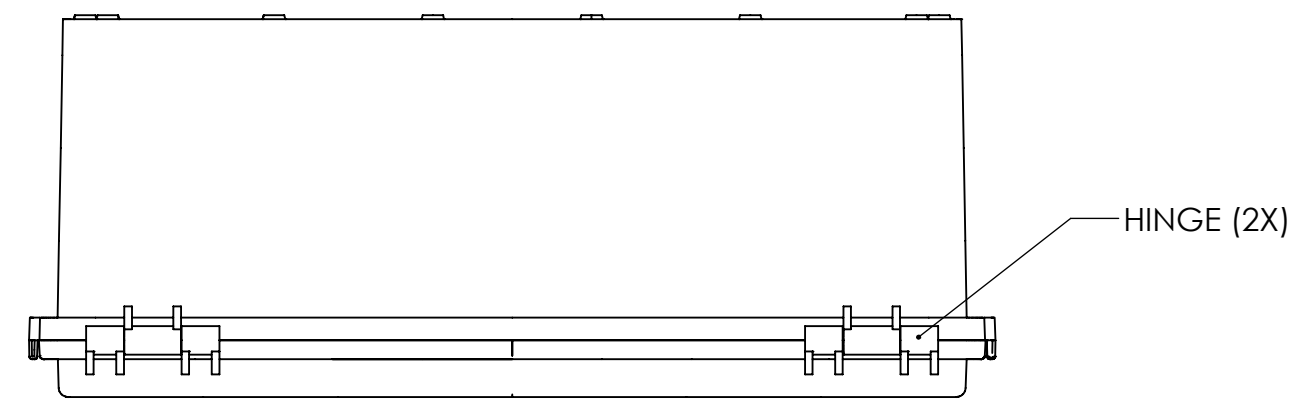
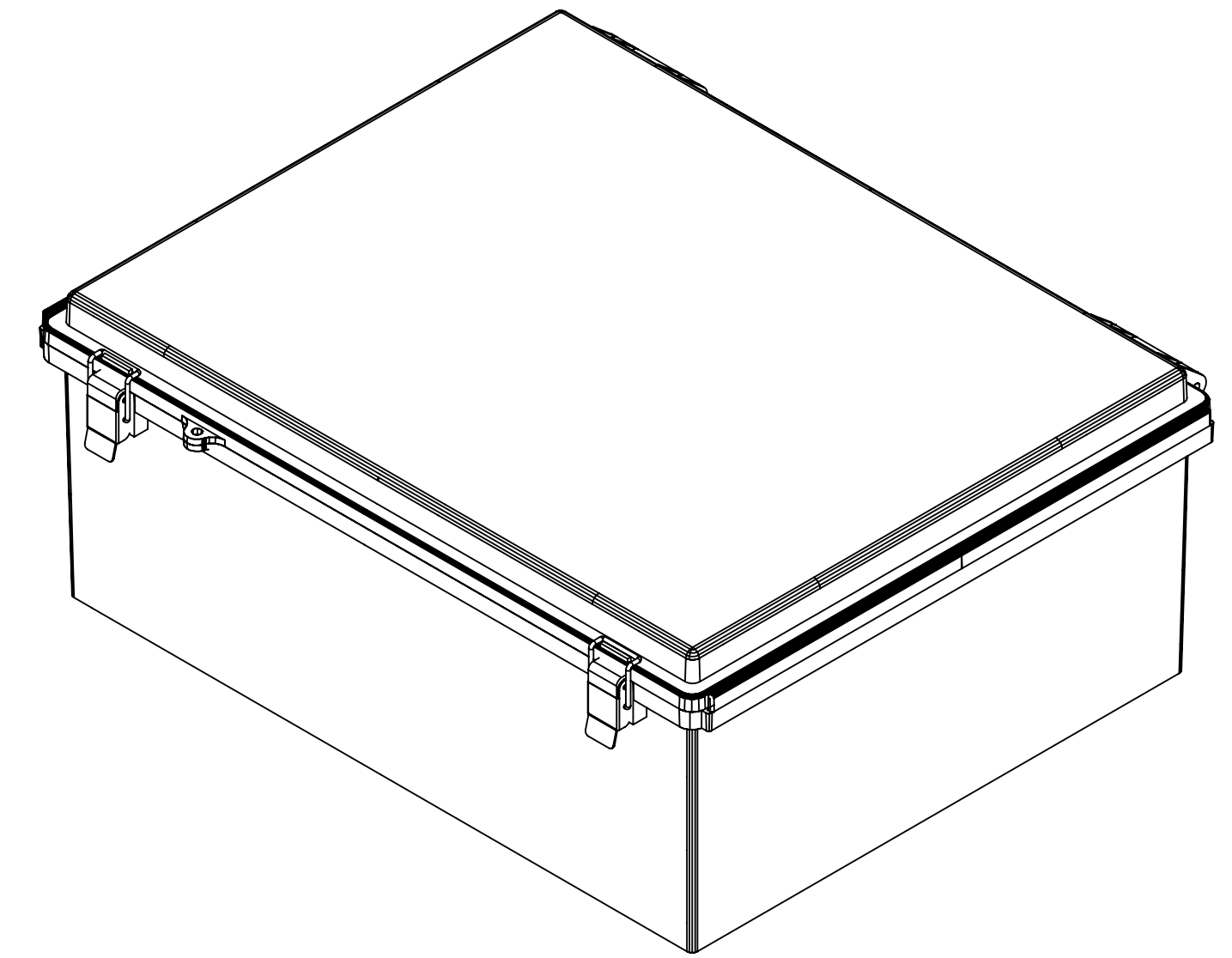
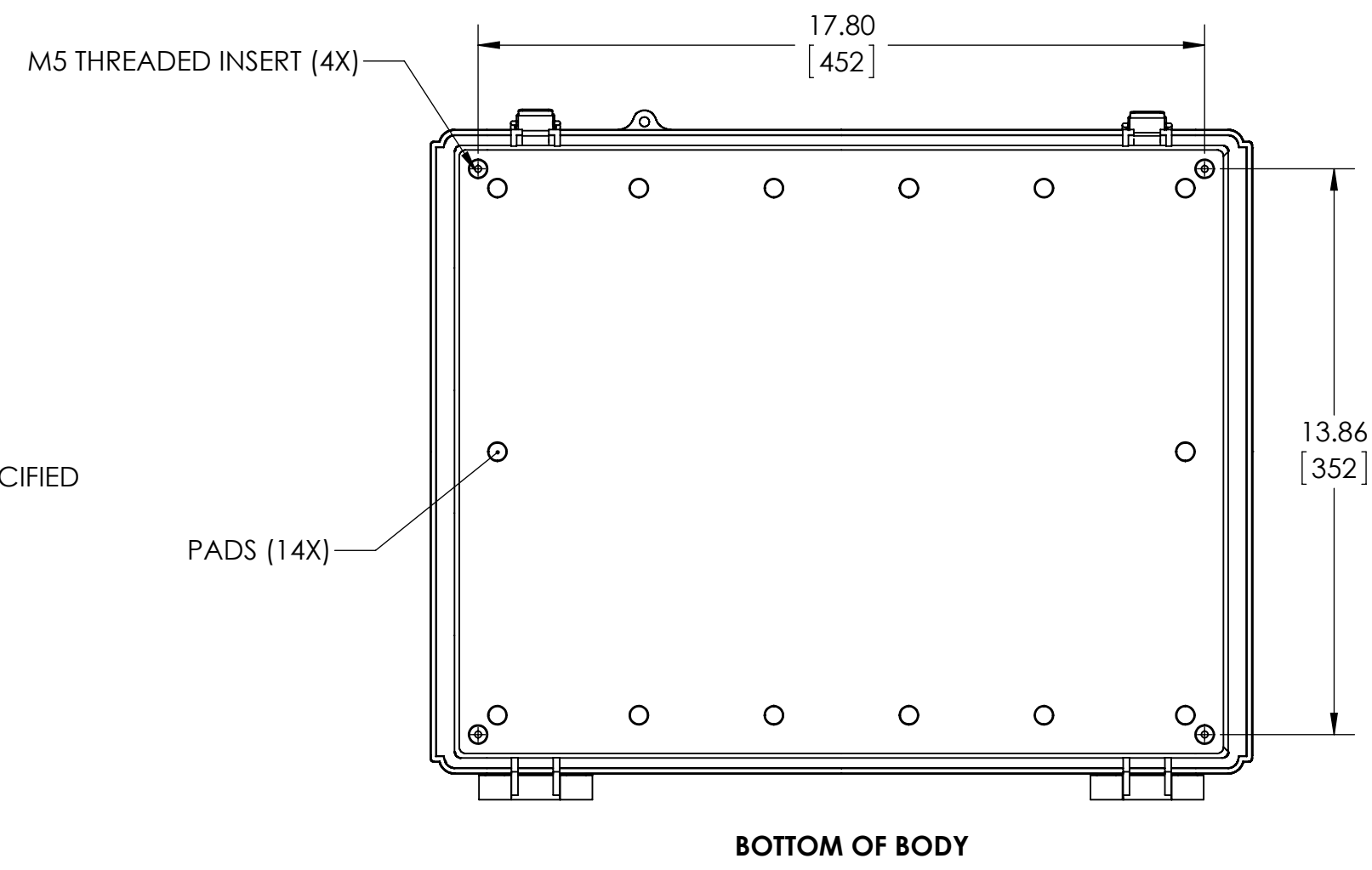


- NOTES:
- 1- MATERIAL: BODY - POLYCARBONATE 10% FIBERGLASS REINFORCED
COVER - POLYCARBONATE
UL508 /NEMA TYPE 4X WITH IP-67 TUV RATING & UL-94V0 RATING
 - 2- FINISH: BODY - LIGHT GRAY
COVER - LIGHT GRAY OR CLEAR (-C)
 - 3- ALL HOLE DIAMETERS HAVE +/- .005(0.13) TOLERANCE
ALL OTHER DIMENSIONS HAVE +/- 0.03(0.76) TOLERANCE UNLESS OTHERWISE SPECIFIED
 - 4- CONTINUOUS GASKET IN COVER
 - 5- SUPPLIED WITH FOUR M5 x 10mm LG. TRUSS HEAD MACHINE SCREWS
 - 6- DIMENSIONS ARE INCH [MM]
 - 7- DRAWING FOR REFERENCE
 - 8- OPTIONAL ACCESSORIES:
INTERNAL STEEL PANEL - #PTX-11068
INTERNAL PLASTIC PANEL - #PTX-11068-P
MOUNTING BRACKET KIT (STAINLESS STEEL) - #NBX-10922

- NOTES:
- 1- MATERIAL: BODY - POLYCARBONATE 10% FIBERGLASS REINFORCED
COVER - POLYCARBONATE
UL508 /NEMA TYPE 4X WITH IP-67 TUV RATING & UL-94V0 RATING
 - 2- FINISH: BODY - LIGHT GRAY
COVER - LIGHT GRAY OR CLEAR (-C)
 - 3- ALL HOLE DIAMETERS HAVE +/- .005(0.13) TOLERANCE
ALL OTHER DIMENSIONS HAVE +/- 0.03(0.76) TOLERANCE UNLESS OTHERWISE SPECIFIED
 - 4- CONTINUOUS GASKET IN COVER
 - 5- SUPPLIED WITH FOUR M5 x 10mm LG. TRUSS HEAD MACHINE SCREWS
 - 6- DIMENSIONS ARE INCH [MM]
 - 7- DRAWING FOR REFERENCE
 - 8- OPTIONAL ACCESSORIES:
INTERNAL STEEL PANEL - #PTX-11073
INTERNAL PLASTIC PANEL - #PTX-11073-P
MOUNTING BRACKET KIT (STAINLESS STEEL) - #NBX-10922



- NOTES:
- 1- MATERIAL: BODY - POLYCARBONATE 10% FIBERGLASS REINFORCED
COVER - POLYCARBONATE
UL508 /NEMA TYPE 4X WITH IP-67 TUV RATING & UL-94V0 RATING
 - 2- FINISH: BODY - LIGHT GRAY
COVER - LIGHT GRAY OR CLEAR (-C)
 - 3- ALL HOLE DIAMETERS HAVE +/- .005(0.13) TOLERANCE
ALL OTHER DIMENSIONS HAVE +/- 0.03(0.76) TOLERANCE UNLESS OTHERWISE SPECIFIED
 - 4- CONTINUOUS GASKET IN COVER
 - 5- SUPPLIED WITH FOUR M5 x 10mm LG. TRUSS HEAD MACHINE SCREWS
 - 6- DIMENSIONS ARE INCH [MM]
 - 7- DRAWING FOR REFERENCE
 - 8- OPTIONAL ACCESSORIES:
INTERNAL STEEL PANEL - #PTX-11076
INTERNAL PLASTIC PANEL - #PTX-11076-P
MOUNTING BRACKET KIT (STAINLESS STEEL) - #NBX-10922





PART NAME

PTQ SERIES ENCLOSURE

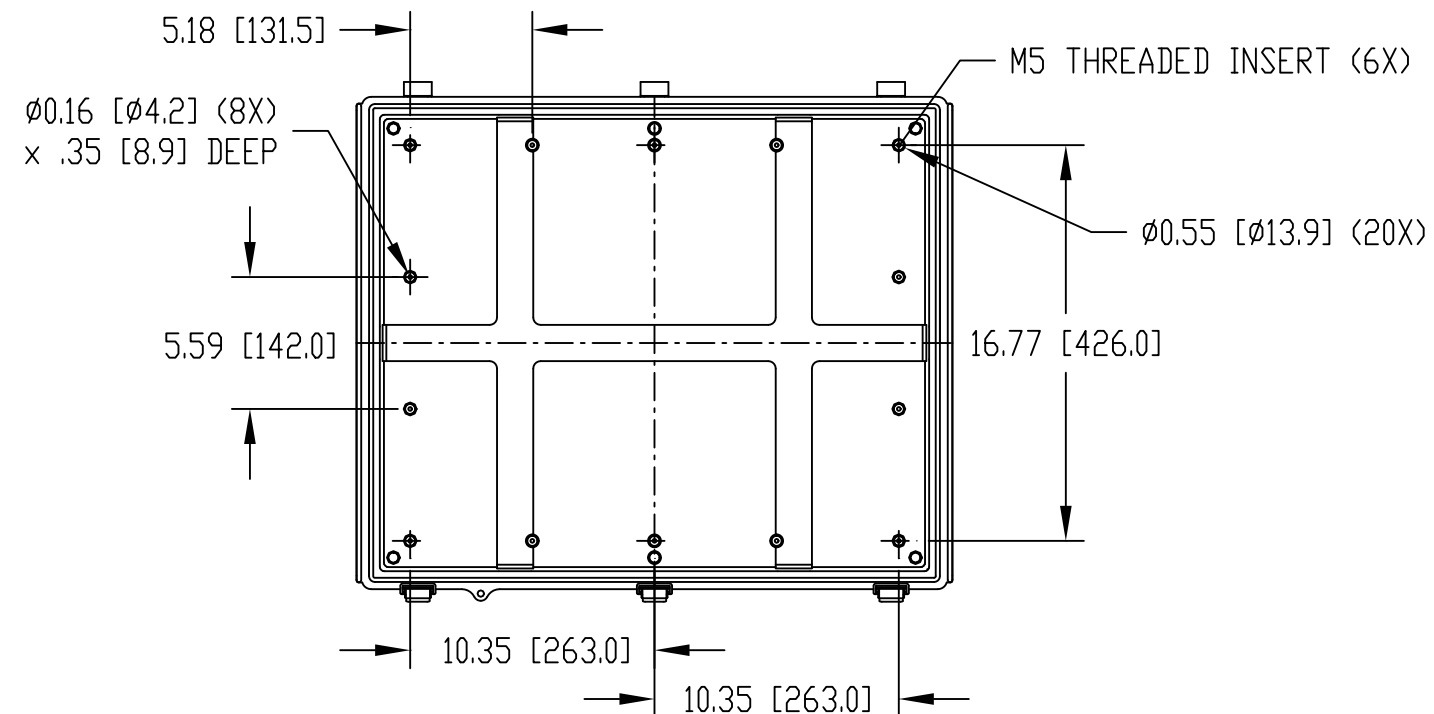
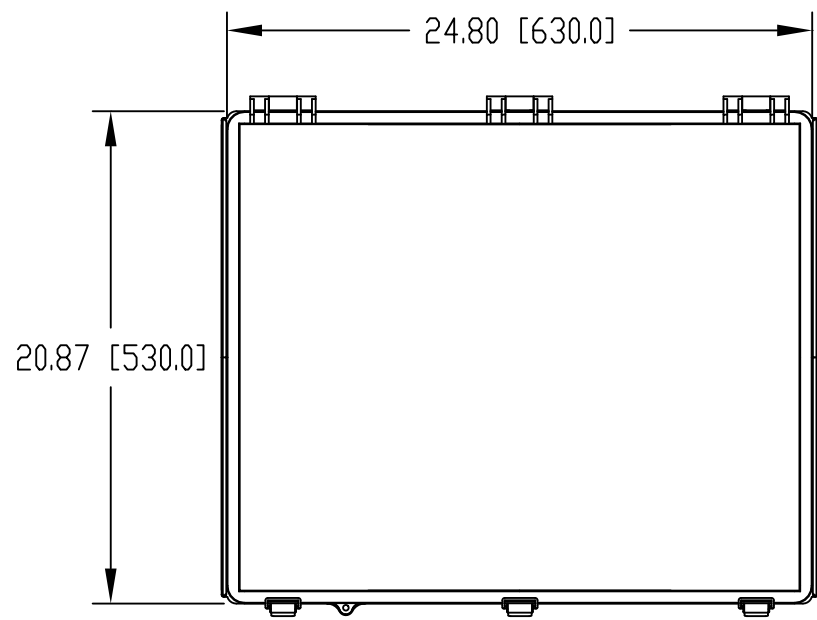
PART No.

PTQ-11080

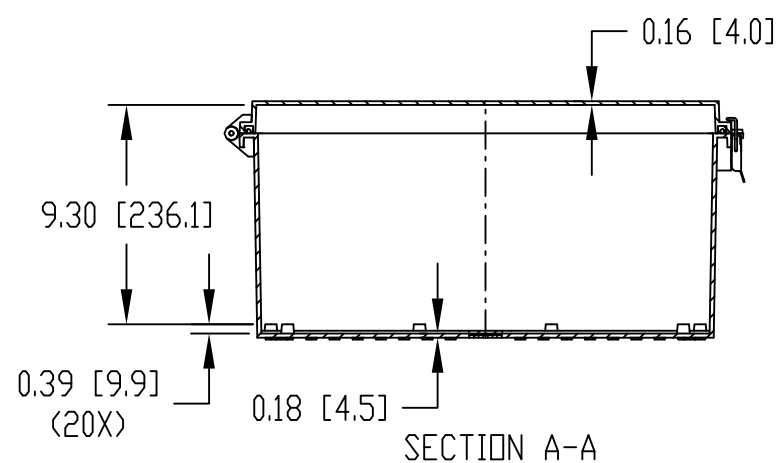
PTQ-11080-C

REV. DATE

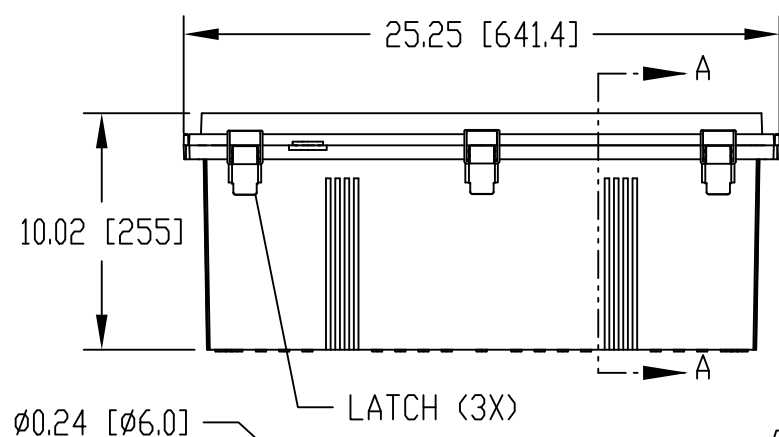
12-2-15



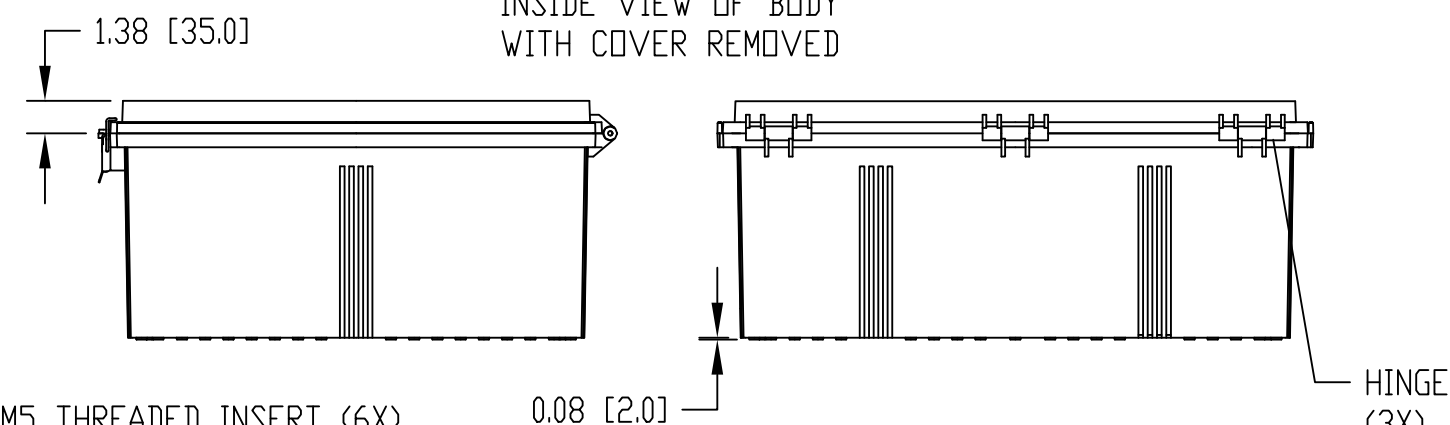
INSIDE VIEW OF BODY WITH COVER REMOVED



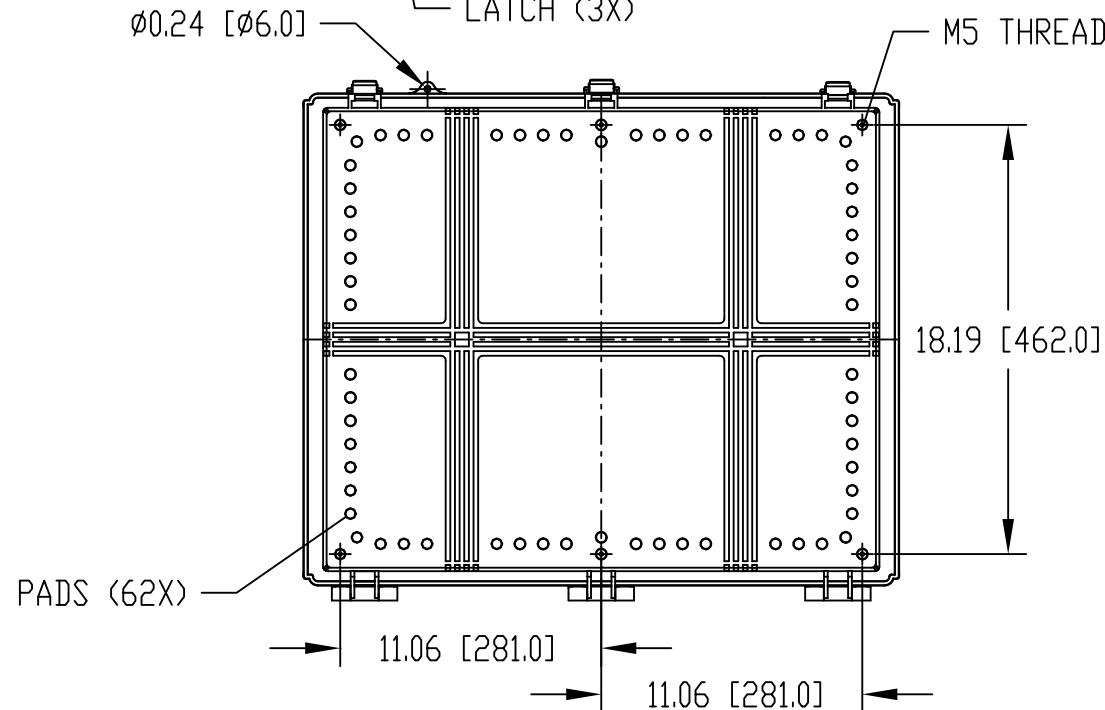
SECTION A-A



LATCH (3X)



HINGE (3X)



PADS (62X)

MATERIAL:

BODY - POLYCARBONATE RESIN 10% GLASS FIBER FILLED

COVER - POLYCARBONATE

COLOR:

BODY - LIGHT GRAY

COVER - LIGHT GRAY OR CLEAR (SUFFIX -C)

UL508 / NEMA TYPE 4X WITH IP-67 TUV RATING & UL-94V0 RATING

CONTINUOUS GASKET IN COVER

SUPPLIED WITH QTY. (12) M5 x 10mm LG. TRUSS HEAD MACHINE SCREWS

AND QTY. (6) WALL MOUNTING BRACKETS

DIMENSIONS ARE INCH[MM]

DRAWING FOR REFERENCE

OPTIONAL ACCESSORIES:

INTERNAL STEEL PANEL - #PTX-11080

INTERNAL STEEL PANEL - #PTX-11080-P

MOUNTING BRACKET KIT (STAINLESS STEEL) - NBX-10922